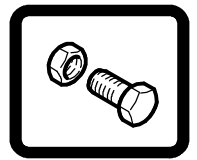
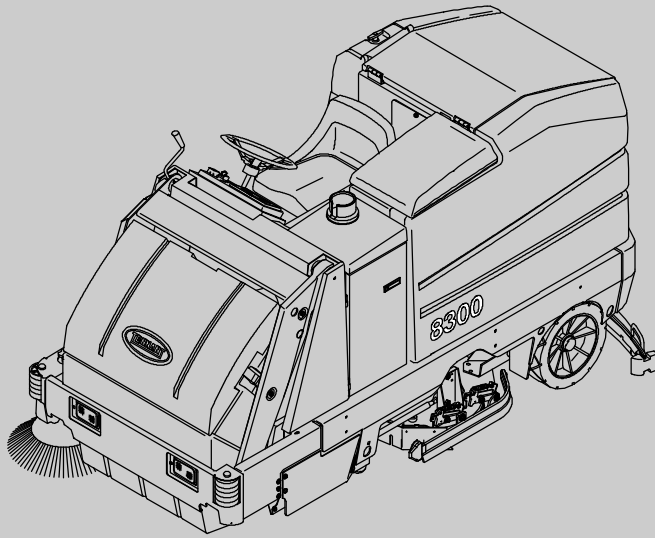




# 8300

## Sweeper Scrubber Parts Manual



***FaST***  
Foam Scrubbing Technology<sup>®</sup>  
***The Safe Scrubbing Alternative***<sup>®</sup>

**eC**  **H2O**<sup>™</sup>  
ELECTRICALLY CONVERTED WATER

***ES***<sup>®</sup> ***Extended Scrub System***

**North America / International**

[www.tennantco.com](http://www.tennantco.com)

**330630**  
Rev. 11 (07-2009)



When ordering replacement parts, use the illustrated parts list section in this manual. Before ordering parts or supplies, be sure to have your machine model number and serial number available. Only use TENNANT Company supplied or equivalent parts. Parts and supplies may be ordered online, by phone, or mail from any authorized parts and service center, distributor or from any of the manufacturer's subsidiaries.

This machine will provide excellent service. However, the best results will be obtained at minimum costs if:

- The machine is operated with reasonable care.
- The machine is maintained regularly - per the machine maintenance instructions provided.
- The machine is maintained with manufacturer supplied or equivalent parts.

---

## MACHINE DATA

---

Please fill out at time of installation for future reference.

Model No.- \_\_\_\_\_

Serial No.- \_\_\_\_\_

Machine Options - \_\_\_\_\_

Sales Rep. - \_\_\_\_\_

Sales Rep. phone no. - \_\_\_\_\_

Customer Number - \_\_\_\_\_

Installation Date - \_\_\_\_\_

### Machine Data Plate



**Tennant Company**  
PO Box 1452  
Minneapolis, MN 55440  
Phone: (800) 553-8033 or (763) 513-2850  
www.tennantco.com

Thermo-Sentry, SmartRelease, SuperScrub, and MaxPro are US registered and unregistered trademarks of Tennant Company.

Specifications and parts are subject to change without notice.

Copyright © 2000 - 2002, 2004 - 2009 TENNANT Company, Printed in U.S.A.

## HOW TO USE THIS MANUAL

This section on *HOW TO USE THIS MANUAL* will tell you how to:

- Find important machine information for ordering correct repair parts.
- Find TENNANT part numbers.
- Order TENNANT parts and supplies.

### IMPORTANT INFORMATION

When placing an order for parts, the machine model and machine serial number are important. Refer to the *MACHINE DATA* box which is filled out during the installation of your machine. The *MACHINE DATA* box is located on the inside of the front cover of this manual.

MACHINE DATA - MASCHINEN-DATEN - DONNÉES CONCERNANT LA MACHINE	
Please fill out at time of installation for future reference. Bitte bei Inbetriebnahme der Maschine ausfüllen für zukünftige Referenz. Veuillez compléter au moment de la mise en service comme référence future.	
Machine Model Number - 7300	
Maschinen Modell - 7300	
Numéro de modèle de la machine - 7300	
Machine Serial Number -	
Maschinen Serien Nummer -	
Numéro de série de la machine -	
Machine Options -	
Maschinen Zubehör -	
Options de la machine -	
TENNANT Representative Name -	
TENNANT Vertretung (Cet. für) -	
Nom de l'agent de représentation TENNANT -	
Customer ID Number -	
Kunden Nummer -	
Numéro d'identification du client -	
Date of installation -	
Installationsdatum -	
Date d'installation -	
Manual Number - 330630	
Handbuch Bestell Nummer - 330630	
Numéro du manuel - 330630	
Revision: 00	
Print Number: 00	
Printed: 00	
Published: 5-00	
Ausgabe: 5-00	
Date de publication: 6-00	

The model number of your machine is on the side of the machine.



The serial number of your machine is printed on the machine data plate located as shown.



# HOW TO USE THIS MANUAL

## FINDING A TENNANT PART NUMBER

This manual contains the following sections:

- HOW TO USE THIS MANUAL
- STANDARD PARTS
- OPTIONS
- BREAKDOWNS
- CROSS REFERENCE

The STANDARD PARTS section lists repair parts for standard machines. They are grouped in this general order:

- General wear parts.
- Machine frame and related parts.
- Machine propelling system.
- Scrubbing components.
- Sweeping components.
- Electrical parts.

The OPTION section lists repair parts of options.

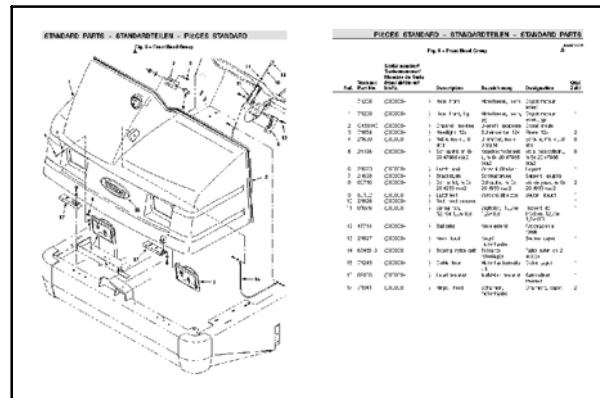
The BREAKDOWN section lists available repair parts of major components.

All sections in this manual consist of parts illustrations and corresponding parts lists.

The parts illustrations are numbered with **Ref** numbers which refer to corresponding parts lists.

The parts lists include a number of columns of information:

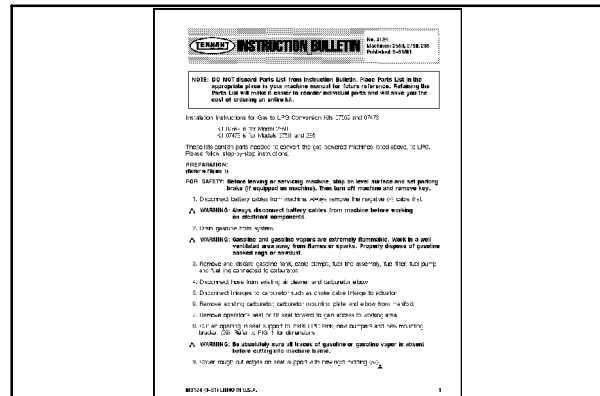
- **Ref** - column refers to the reference number on the parts illustration.
- ▽ - indicates the part is an assembly.
- ▲ - indicates the part is included in the assembly listed just before it.
- **TENNANT Part No.** - column lists the TENNANT part number for the part.
- **Serial Number** - column indicates the set of machines the part number is applicable to. Serial numbers change when the machine design has been modified. The most current design of the machine is shown in the main illustration, older designs are boxed in a corner of the illustration.
- **Description** - column is a brief description of the part.
- **Qty.** - column lists the quantity of that part used in that area of the machine.



Ref.	Tennant Part No.	Serial number/ Seriennummer/ Numéro de Serie from/ab/du-to/ bis/bis	Description	Bezeichnung	Designation	Qty/ Zahl	
▽	1	57355	000000-	Gearbox	Getriebe	Boîte de vitesses	1
▲	2	57340	000000-	O-ring	O-ring	Joint torique	2
▲	3	57341	000000-	Flg	Stopfen	Bouchon	1
▲	4	57839	000000-	Flg-grea, 106.997	Schmierriepel, 106.997	Graisseur, 106.997	2
▲	5	57849	000000-	Driving gear	Getriebe	Mechanisme d'entraînement	1
▲	6	12540	000000-	Bolt, wheel	Radbolzen	Boulon roue	6
▲	7	51791	000000-	Bearing and housing	Lagergehäuse	Boîtier roulement	1
▲	8	12545	000000-	Seal o-ring	O-ring-dichtung	Joint torique d'étanchéité	1
▲	9	50198	000000-	Motor, traction 36v	Motor traction 36v	Motor traction 36v	1
▲	10	02076	000000-	Cover, terminal ung	Batteriepolabdeck ung	Cache pole batterie	4

**NOTE:** If a service kit is installed on your machine, be sure to keep the **INSTRUCTION BULLETIN** which came with the kit. It contains repair parts numbers needed for ordering future parts.

**NOTE:** Fasteners used in this machine may be metric or non-metric. Take care when replacing hardware to replace with same thread size.



## PLACING AN ORDER

Orders may be placed by phone, fax, or by mail. Phone orders may need written confirmation. Follow the steps below to insure prompt delivery:

1. Identify the model number of your machine.
2. Identify the serial number of your machine.
3. Find the part number of the part you need. Do not order by page number or reference number. If you are not able to find the part number, call your TENNANT representative for help or send the old part as a sample.
4. Determine the quantity of the part you need.
5. Provide the following company information:
  - Company name
  - Customer ID Number
  - Shipping address
  - Billing address
  - First and last name of person ordering parts
  - Telephone number
  - Purchase order number
6. Provide definitive shipping instructions.

## HOW TO USE THIS MANUAL

---

Any claim for loss or damage to a shipment in transit should be filed promptly with the transportation company making the delivery. Shipments will be complete unless the packing list or order acknowledgement indicates items back ordered.

If parts received are suspected to be incorrect or defective, please contact the TENNANT representative from whom you ordered the part. They will give authorization for return and/or handle replacement shipments when required.

## SECTION 2

Contents	Page
Fig. 1 - General Recommended Maintenance Items .....	2-3
Fig. 2 - Brushes, Replacement for MaxPro 1000 .....	2-6
Fig. 3 - Brushes, Replacement for MaxPro 1200 .....	2-8
Fig. 4 - Main Frame Group .....	2-10
Fig. 5 - Covers Group, Top and Side .....	2-12
Fig. 6 - Covers Group, Rear .....	2-14
Fig. 7 - Electrical Instrument Panel Group .....	2-16
Fig. 8 - Power Steering Group .....	2-18
Fig. 9 - Seat Group .....	2-20
Fig. 10 - Directional Control Group .....	2-22
Fig. 11 - Wheel Group, Front Drive .....	2-24
Fig. 12 - Brake Pedal Group .....	2-26
Fig. 13 - Wheel and Brake Group, Rear ...	2-28
Fig. 14 - Solution Tank Group .....	2-30
Fig. 15 - FaST Solution Pump Group (000000-004791) .....	2-32
Fig. 16 - FaST Air Pump and Detergent Group (000000-004791) .....	2-34
Fig. 17 - FaST Foam Filter Group (000000-004791) .....	2-36
Fig. 18 - FaST Pumps and Detergent Group (004792- ) .....	2-38
Fig. 19 - Solution Control Group .....	2-40
Fig. 20 - Recovery Tank Group .....	2-42
Fig. 21 - Recovery Tank Drain Assembly ..	2-44
Fig. 22 - Scrubber Vacuum Fan Group ...	2-46
Fig. 23 - Scrub Head Lift Group .....	2-48
Fig. 24 - Max Pro 1000 (Disc-Brush) Scrub Head Frame Group .....	2-50
Fig. 25 - Max Pro 1000 (Disc-Brush) Scrub Head Linkage Group .....	2-52
Fig. 26 - Max Pro 1000 (Disc-Brush) Solution Valve Group .....	2-54
Fig. 27 - Max Pro 1000 (Disc-Brush) Solution Valve Group (FaST/ec-H2O) .....	2-56
Fig. 28 - Max Pro 1000 (Disc-Brush) Edge Scrub Group .....	2-58
Fig. 29 - Max Pro 1000 (Disc-Brush) Right Side Squeegee Group .....	2-60
Fig. 30 - Max Pro 1000 (Disc-Brush) Left Side Squeegee Group .....	2-62
Fig. 31 - Squeegee Linkage Group, Rear ...	2-64
Fig. 32 - Squeegee Lift Group, Rear .....	2-66
Fig. 33 - Max Pro 1000 Rear Squeegee Group .....	2-68

Contents	Page
Fig. 34 - Sweeper Main Brush Doors Group .....	2-70
Fig. 35 - Sweeper Side Brush Motor and Pivot Group .....	2-72
Fig. 36 - Sweeper Side Brush Lift Group ..	2-74
Fig. 37 - Sweeper Main Brush Drive Group ..	2-76
Fig. 38 - Sweeper Main Brush Idler Group ..	2-78
Fig. 39 - Sweeper Main Brush Lift Group ..	2-80
Fig. 40 - Hopper and Bumper Group .....	2-82
Fig. 41 - Sweeper Main Brush Skirts Group ..	2-84
Fig. 42 - Hopper Lift Arms Group .....	2-86
Fig. 43 - Hopper Chain and Cover Group ..	2-88
Fig. 44 - Hopper Filter Box Group .....	2-90
Fig. 45 - Sweeper Vacuum Fan Group ....	2-92
Fig. 46 - Hydraulic Power Unit and Solenoid Valve Group .....	2-94
Fig. 47 - Hydraulic Schematic .....	2-96
Fig. 48 - Hydraulic Hose Group .....	2-98
Fig. 49 - Electrical Control Box Circuit Breaker Group .....	2-100
Fig. 50 - Electrical Control Box Contactor Group (000000-003545) .....	2-102
Fig. 51 - Electrical Control Box Contactor Group (003546- ) .....	2-104
Fig. 52 - Electrical Control Box Wires Group (000000-003545) .....	2-106
Fig. 53 - Electrical Control Box Wires Group (003546- ) .....	2-108
Fig. 54 - Electrical Circuit Board Group ..	2-110
Fig. 55 - Electrical Group, FaST (000000-004791) .....	2-112
Fig. 56 - Electrical Group, FaST (004792- ) .....	2-113
Fig. 57 - Electrical Schematic (000000-004791) .....	2-114
Fig. 58 - Electrical Schematic (004792- ) .....	2-118
Fig. 59 - Electrical Wire Harnesses Group ..	2-124
Fig. 60 - Electrical Wire Harness Group, FaST (000000-004791) .....	2-140
Fig. 61 - Electrical Wire Harness Group, FaST (004792- ) .....	2-141
Fig. 62 - Label Group .....	2-142





Fig. 1 - General Recommended Maintenance Items

8300

Ref.	Tennant Part No.	Machine Serial Number	Description	Qty.
	387660	(000000-	) Tire Assy, Solid, 16.2x6.0 5.7bc/5bolt	1
	387014	(000000-	) Tire Assy, 16 X 5 X 12.12	2
	58327	(000000-	) Belt, V, [Hc41] 41.0l	2
	386626	(000000-	) Flap, Front	1
	386828	(000000-	) Skirt, Recirculation	1
	386829	(000000-	) Skirt, Recirculation	1
	360686	(000000-	) Belt, V, [3v] 33.5l	1
	386981	(000000-	) Seal, Hppr, Vertical	2
	386982	(000000-	) Seal, Hppr, Horiz	2
	363796	(000000-	) Seal, Vacfan, [8010]	1
	387059	(000000-	) Skirt, Lh	1
	387055	(000000-	) Skirt, Rh	1
▽	386024	(000000-	) Kit, Maint, 800hr, [8300-Mp1000-Disk]	1
▲	386284	(000000-	) Blade, Sqge, Rear	1
▲	386283	(000000-	) Blade, Sqge, Front	1
▲	386387	(000000-	) Skirt, Front, Scrub Head, 2-Brush, Ele	1
▲	386388	(000000-	) Skirt, Rear, Scrub Head, 2-Brush, Ele	1
▲	387294	(000000-	) Skirt, Side, Scrbr Head, Ele	1
▲	386260	(000000-	) Squeegee, Side	2
▲	20833	(000000-	) Wheel, 3.0d 1.38w 0.50b	1
▲	71101	(000000-	) Cable, .12d, 13.3l, .2clevis/.2clevis	1
▲	387023	(000000-	) Hose, Vacuum	1
▲	386267	(000000-	) Hose, Vacuum, 91.0l	1
▲	375213	(000000-	) Filter, Pkg, Dust, Panl, 81plts	1
▲	1037822	(000000-	) Filter, Panl, Dust, 2.0 X 06.1 X 07.6	1
▲	66213	(000000-	) Kit, Brake	1
▲	386223	(000000-	) Gasket, Tank, Recovery	1
▲	79320	(000000-	) Gasket, Cap, Drain	2
▲	223264	(000000-	) Seal, Rbr, Clsd, 0.25th, 5.8d 03.3h	1
▲	386323	(000000-	) Gasket, Mtg, Fan	1
▽	386025	(000000-	) Kit, Maint, 800hr, [8300-Mp1200-Disk]	1
▲	386834	(000000-	) Blade, Sqge, Rear 48.0l	1
▲	386833	(000000-	) Blade, Sqge, Front 48.0l	1
▲	386825	(000000-	) Skirt, Front, Scrub Head, 3-Brush, Ele	1
▲	386826	(000000-	) Skirt, Rear, Scrub Head, 3-Brush, Ele	1
▲	386260	(000000-	) Squeegee, Side	2
▲	20833	(000000-	) Wheel, 3.0d 1.38w 0.50b	1
▲	71101	(000000-	) Cable, .12d, 13.3l, .2clevis/.2clevis	1
▲	387023	(000000-	) Hose, Vacuum	1
▲	386267	(000000-	) Hose, Vacuum, 91.0l	1
▲	375213	(000000-	) Filter, Pkg, Dust, Panl, 81plts	1
▲	1037822	(000000-	) Filter, Panl, Dust, 2.0 X 06.1 X 07.6	1
▲	66213	(000000-	) Kit, Brake	1
▲	386223	(000000-	) Gasket, Tank, Recovery	1
▲	79320	(000000-	) Gasket, Cap, Drain	2
▲	223264	(000000-	) Seal, Rbr, Clsd, 0.25th, 5.8d 03.3h	1
▲	386323	(000000-	) Gasket, Mtg, Fan	1

# STANDARD PARTS

Fig. 1 - General Recommended Maintenance Items

Ref.	Tennant Part No.	Machine Serial Number	Description	Qty.
▽	386026	(000000-	) Kit, Maint, 800hr, [8300-Mp1000-Cyl]	1
▲	386284	(000000-	) Blade, Sqge, Rear	1
▲	386283	(000000-	) Blade, Sqge, Front	1
▲	20833	(000000-	) Wheel, 3.0d 1.38w 0.50b	1
▲	71101	(000000-	) Cable, .12d, 13.3l, .2clevis/.2clevis	1
▲	387023	(000000-	) Hose, Vacuum	1
▲	386267	(000000-	) Hose, Vacuum, 91.0l	1
▲	386053	(000000-	) Belt, Drive	1
▲	375213	(000000-	) Filter, Pkg, Dust, Panl, 81plts	1
▲	1037822	(000000-	) Filter, Panl, Dust, 2.0 X 06.1 X 07.6	1
▲	66213	(000000-	) Kit, Brake	1
▲	386223	(000000-	) Gasket, Tank, Recovery	1
▲	79320	(000000-	) Gasket, Cap, Drain	2
▲	223264	(000000-	) Seal, Rbr, Clsd, 0.25th, 5.8d 03.3h	1
▲	386323	(000000-	) Gasket, Mtg, Fan	1
▽	386027	(000000-	) Kit, Maint, 800hr, [8300-Mp1200-Cyl]	1
▲	386834	(000000-	) Blade, Sqge, Rear 48.0l	1
▲	386833	(000000-	) Blade, Sqge, Front 48.0l	1
▲	20833	(000000-	) Wheel, 3.0d 1.38w 0.50b	1
▲	71101	(000000-	) Cable, .12d, 13.3l, .2clevis/.2clevis	1
▲	387023	(000000-	) Hose, Vacuum	1
▲	386267	(000000-	) Hose, Vacuum, 91.0l	1
▲	386053	(000000-	) Belt, Drive	1
▲	375213	(000000-	) Filter, Pkg, Dust, Panl, 81plts	1
▲	1037822	(000000-	) Filter, Panl, Dust, 2.0 X 06.1 X 07.6	1
▲	66213	(000000-	) Kit, Brake	1
▲	386223	(000000-	) Gasket, Tank, Recovery	1
▲	79320	(000000-	) Gasket, Cap, Drain	2
▲	223264	(000000-	) Seal, Rbr, Clsd, 0.25th, 5.8d 03.3h	1
▲	386323	(000000-	) Gasket, Mtg, Fan	1
▽	387507	(000000-	) Kit, Maint, 800hr [8300-Mp1200-Disk-Vac]	1
▲	386284	(000000-	) Blade, Sqge, Rear	1
▲	386283	(000000-	) Blade, Sqge, Front	1
▲	386387	(000000-	) Skirt, Front, Scrub Head, 2-Brush, Ele	1
▲	386388	(000000-	) Skirt, Rear, Scrub Head, 2-Brush, Ele	1
▲	387294	(000000-	) Skirt, Side, Scrbr Head, Ele	1
▲	386260	(000000-	) Squeegee, Side	1
▲	20833	(000000-	) Wheel, 3.0D 1.38W 0.50B	1
▲	71101	(000000-	) Cable, .12d, 13.3l, .2clevis/.2clevis	1
▲	387023	(000000-	) Hose, Vacuum	1
▲	1005026	(003546-	) Kit, Modif, Ftg Location, [Discvac]	1
▲	11399	(000000-	) Clamp, Hose, Wormdrive, 0.81-1.50d	1
▲	387545	(000000-	) Blade Assy, Sqge, Side	1
▲	387546	(000000-	) Blade, Squeegee	1
▲	375213	(000000-	) Filter, Pkg, Dust, Panl, 81plts	1
▲	1037822	(000000-	) Filter, Panl, Dust, 2.0 X 06.1 X 07.6	1
▲	66213	(000000-	) Kit, Brake	1
▲	386223	(000000-	) Gasket, Tank, Recovery	1

**Fig. 1 - General Recommended Maintenance Items**

<b>Ref.</b>	<b>Tennant Part No.</b>	<b>Machine Serial Number</b>	<b>Description</b>	<b>Qty.</b>
▲	79320	(000000-	) Gasket, Cap, Drain	2
▲	223264	(000000-	) Seal, Rbr, Clsd, 0.25th, 5.8d 03.3h	1
▲	386323	(000000-	) Gasket, Mtg, Fan	1
▲	58327	(000000-	) Belt, V, [Hc41] 41.0l	1
▲	385938	(000000-	) Brush, Conveyor, Cyl, 35l, 4sr	1
▲	386626	(000000-	) Flap, Front	1
▲	386828	(000000-	) Skirt, Recirculation	1
▲	386829	(000000-	) Skirt, Recirculation	1
▲	360686	(000000-	) Belt, V, [3v] 33.5l	1
▲	387408	(000000-	) Seal, Vac Fan	1
▲	387413	(000000-	) Seal	1
▲	387406	(000000-	) Seal	1
▲	387407	(000000-	) Seal	2
	386514	(000000-003545	) Hose, Vacuum, 58.5l	1
	387256	(000000-003545	) Hose, Vacuum, 35.0l	1
	387517	(000000-003545	) Hose Assy, W/2 Cuff, 1.0d 41.0l	1

Fig. 2 - Brushes, Replacement for MaxPro 1000

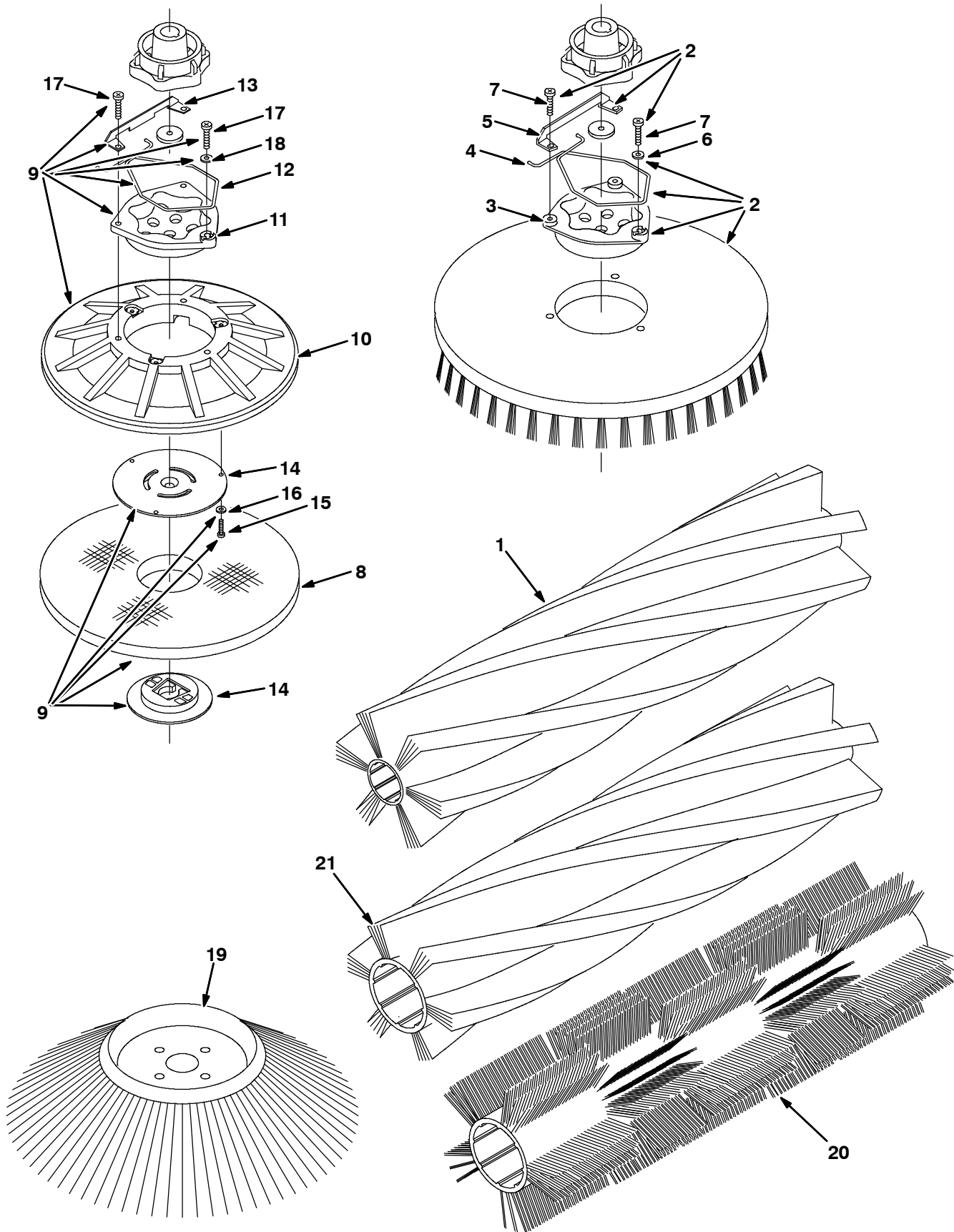


Fig. 2 - Brushes, Replacement for MaxPro 1000

Ref.	Tennant Part No.	Machine Serial Number	Description	Qty.	
1	386230	(000000-	) Brush, Scrub, 39l, 20sr, Pyp, Spl	2	
1	386240	(000000-	) Brush, Scrub, 39l, 20sr, Super Abr, Spl	2	
1	386250	(000000-	) Brush, Scrub, 39l, 20sr, Nyl, Spl	2	
▽	2	14967	(000000-	) Brush Assy, Disk, Scb, 20.0 D, Nyl	2
▲	3	15539	(000000-	) Adaptor, Brush	1
▲	4	14838	(000000-	) Spring, Wir, 0.16d, Brush Retaining	1
▲	5	24299	(000000-	) Bracket, Retainer, Spring	1
▲	6	01684	(000000-	) Washer, Flt, .25 Ss	1
▲	7	32746	(000000-	) Screw, Pan, M06 X 1.0 X 35, Ss	3
▽	2	14953	(000000-	) Brush Assy, Disk, Scb, 20.0 D, Pyp	2
▲	3	15539	(000000-	) Adaptor, Brush	1
▲	4	14838	(000000-	) Spring, Wir, 0.16d, Brush Retaining	1
▲	5	24299	(000000-	) Bracket, Retainer, Spring	1
▲	6	01684	(000000-	) Washer, Flt, .25 Ss	1
▲	7	32746	(000000-	) Screw, Pan, M06 X 1.0 X 35, Ss	3
▽	2	378951	(000000-	) Brush Assy, Disk, Scb, 20.0 D, Super Abr	2
▲	3	15539	(000000-	) Adaptor, Brush	1
▲	4	14838	(000000-	) Spring, Wir, 0.16d, Brush Retaining	1
▲	5	24299	(000000-	) Bracket, Retainer, Spring	1
▲	6	01684	(000000-	) Washer, Flt, .25 Ss	1
▲	7	32746	(000000-	) Screw, Pan, M06 X 1.0 X 35, Ss	3
	8	17260	(000000-	) Pad, Polish, 20.0d, White	2
	8	17261	(000000-	) Pad, Buff, 20.0d, Red	2
	8	17262	(000000-	) Pad, Scrub, 20.0d, Blue	2
	8	17263	(000000-	) Pad, Strip, 20.0d, Brown	2
	8	370094	(000000-	) Pad, Stripping, 20.0D[Hi Prod,Black	2
	8	1051030	(000000-	) Pad, Surf Prep, 20.0D [Mar, 1Pick=1Pad]	2
▽	9	397920	(000000-	) Driver Assy, Pad, 20.0D	2
▲	10	370080	(000000-	) Disk, Pad Drive, W/ Face, 20d	1
▲	11	15539	(000000-	) Adaptor, Brush	1
▲	12	14838	(000000-	) Spring, Wir, 0.16d, Brush Retaining	1
▲	13	24299	(000000-	) Bracket, Retainer, Spring	1
▲	14	370090	(000000-	) Device, Centering	1
▲	15	09198	(000000-	) Screw, Pan, M04 X 0.7 X 35, Ss	3
▲	16	41579	(000000-	) Washer, Flt, #08 Ss	3
▲	17	32746	(000000-	) Screw, Pan, M06 X 1.0 X 35, Ss	3
▲	18	01684	(000000-	) Washer, Flt, .25 Ss	1
	19	87419	(000000-	) Brush, Disk, Swp, 19.0D, Pyp (Option)	1
	20	385936	(000000-	) Brush, Swp, 36L, Window, Pp, Spl	1
	21	385935	(000000-	) Brush, Swp, 36l, 6dr, Spl	1

Fig. 3 - Brushes, Replacement for MaxPro 1200

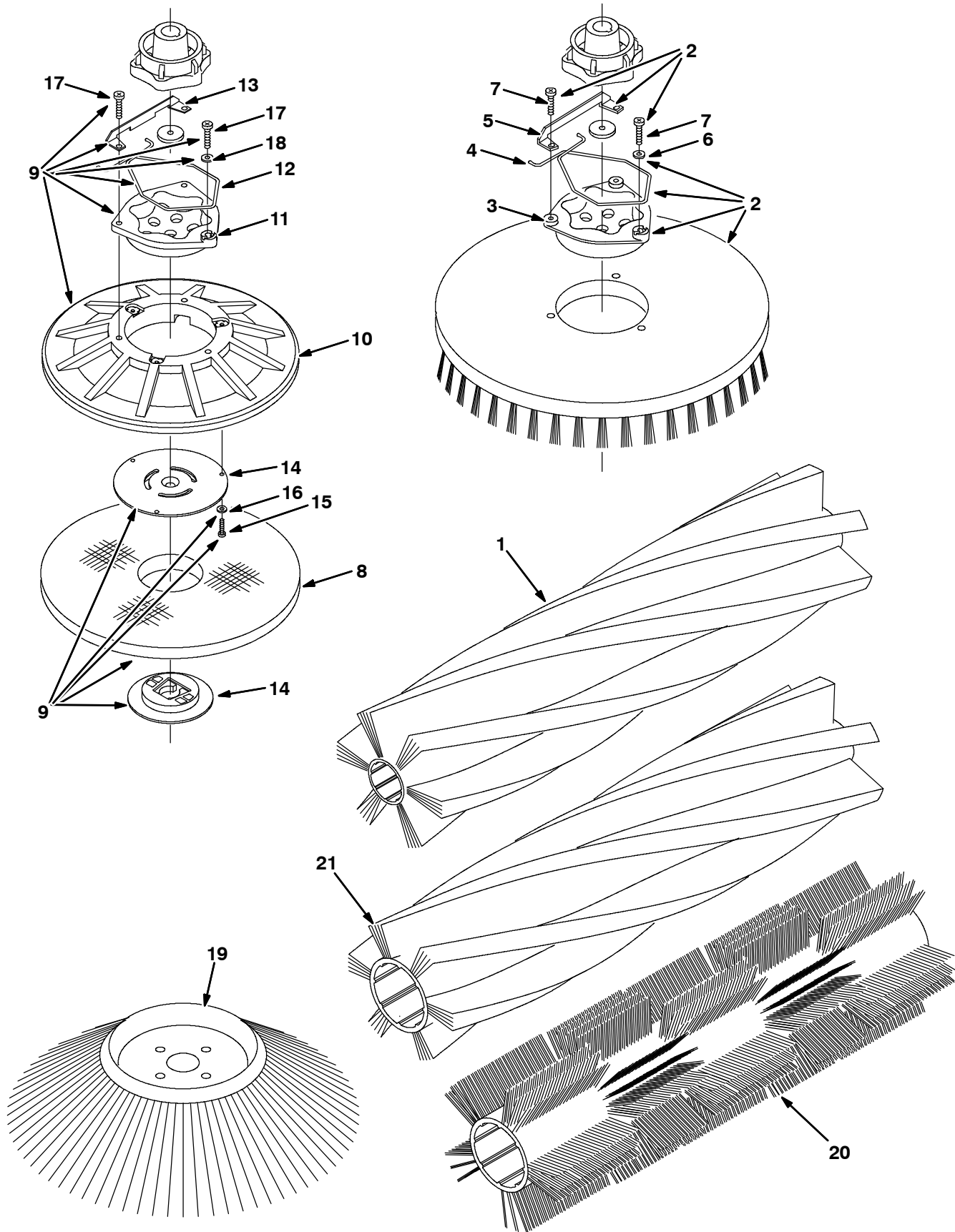


Fig. 3 - Brushes, Replacement for MaxPro 1200

Ref.	Tennant Part No.	Machine Serial Number	Description	Qty.
	1	386231	(000000- ) Brush, Scrub, 47l, 20sr, Pyp, Spl	2
	1	386241	(000000- ) Brush, Scrub, 47l, 20sr, Super Abr, Spl	2
	1	386251	(000000- ) Brush, Scrub, 47l, 20sr, Nyl, Spl	2
▽	2	1042504	(000000- ) Brush Assy, Disk, Scb, 16.0D, Super Abrasive	3
▲	3	1017368	(000000- ) Hub, Drive, Brush, Disk, 3 Hole 5.8Bc	1
▲	4	14838	(000000- ) Spring, Wir, 0.16d, Brush Retaining	1
▲	5	24299	(000000- ) Bracket, Retainer, Spring	1
▲	6	01684	(000000- ) Washer, Flt, .25 Ss	1
▲	7	32746	(000000- ) Screw, Pan, M06 X 1.0 X 35, Ss	3
▽	2	1042499	(000000- ) Brush Assy, Disk, Scb, 16.0D, Nylon	3
▲	3	1017368	(000000- ) Hub, Drive, Brush, Disk, 3 Hole 5.8Bc	1
▲	4	14838	(000000- ) Spring, Wir, 0.16d, Brush Retaining	1
▲	5	24299	(000000- ) Bracket, Retainer, Spring	1
▲	6	01684	(000000- ) Washer, Flt, .25 Ss	1
▲	7	32746	(000000- ) Screw, Pan, M06 X 1.0 X 35, Ss	3
▽	2	30241	(000000- ) Brush Assy, Disk, Scb, 16.0 D, Pyp	3
▲	3	1017368	(000000- ) Hub, Drive, Brush, Disk, 3 Hole 5.8Bc	1
▲	4	14838	(000000- ) Spring, Wir, 0.16d, Brush Retaining	1
▲	5	24299	(000000- ) Bracket, Retainer, Spring	1
▲	6	01684	(000000- ) Washer, Flt, .25 Ss	1
▲	7	32746	(000000- ) Screw, Pan, M06 X 1.0 X 35, Ss	3
	8	63248-1	(000000- ) Pad, Strip, 16.0d, Brown	3
	8	63248-2	(000000- ) Pad, Scrub, 16.0d, Blue	3
	8	63248-3	(000000- ) Pad, Buff, 16.0d, Red	3
	8	63248-4	(000000- ) Pad, Polish, 16.0d, White	3
	8	370092	(000000- ) Pad, Stripping, 16.0d[Hi Prod,Black	3
	8	1051030	(000000- ) Pad, Surf Prep, 20.0D [Mar, 1Pick=1Pad]	3
▽	9	397916	(000000- ) Driver Assy, Pad, 16D	3
▲	10	397976	(000000- ) Disk, Pad Driver, W/Face, 16D	1
▲	11	15539	(000000- ) Adaptor, Brush	1
▲	12	14838	(000000- ) Spring, Wir, 0.16d, Brush Retaining	1
▲	13	24299	(000000- ) Bracket, Retainer, Spring	1
▲	14	370095	(000000- ) Device, Centering	1
▲	15	09198	(000000- ) Screw, Pan, M04 X 0.7 X 35, Ss	3
▲	16	41579	(000000- ) Washer, Flt, #08 Ss	3
▲	17	32746	(000000- ) Screw, Pan, M06 X 1.0 X 35, Ss	3
▲	18	01684	(000000- ) Washer, Flt, .25 Ss	1
	19	87419	(000000- ) Brush, Disk, Swp, 19.0D, Pyp (Option)	1
	20	385936	(000000- ) Brush, Swp, 36L, Window, Pp, Spl	1
	21	385935	(000000- ) Brush, Swp, 36l, 6dr, Spl	1

Fig. 4 - Main Frame Group

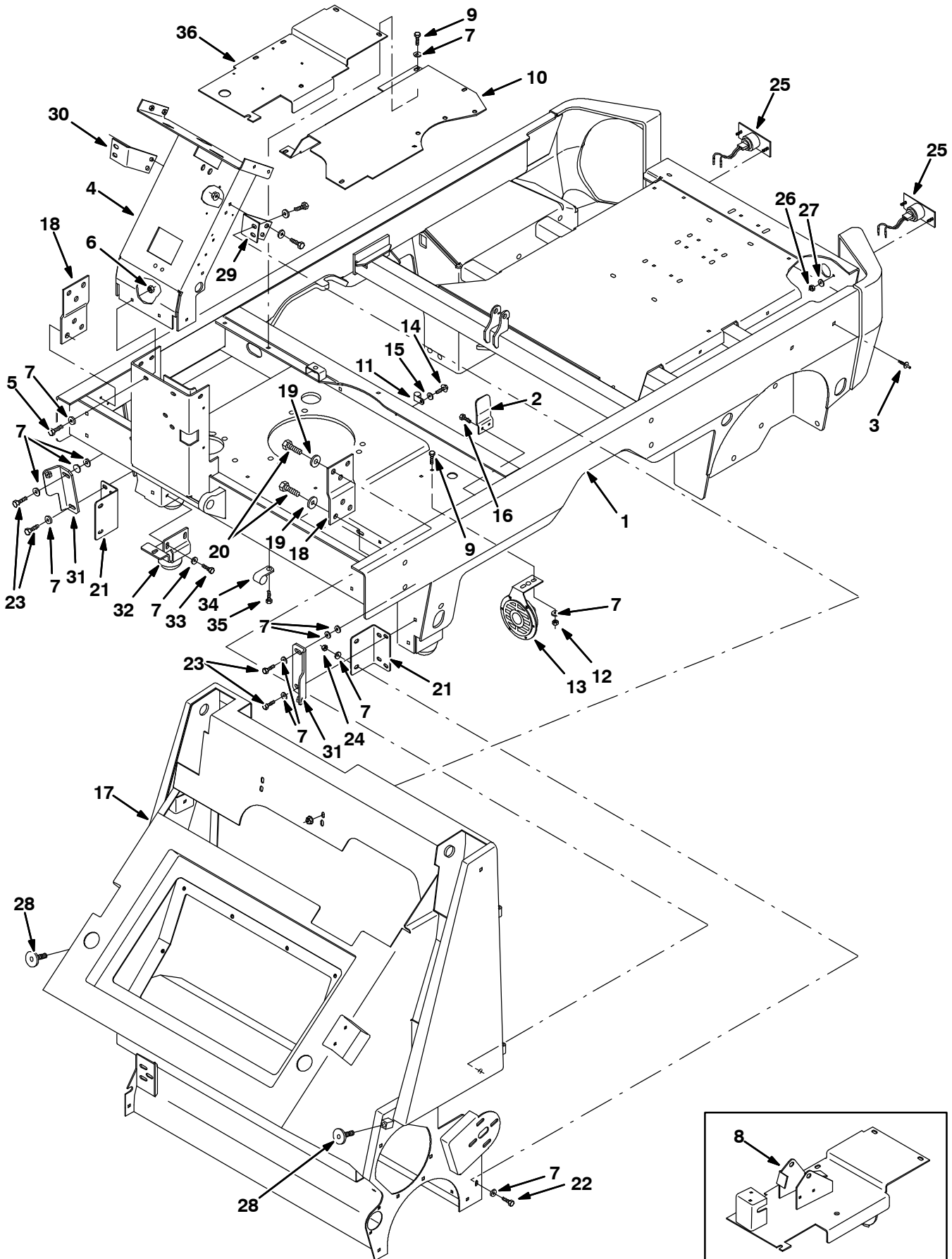




Fig. 4 - Main Frame Group

Ref.	Tennant Part No.	Machine Serial Number	Description	Qty.
1	386200	(000000-	) Frame	1
2	386923	(000000-	) Plate, Cover	1
3	365252	(000000-	) Rivet, Plstc, .25 D X 0.75	24
4	386450	(000000-	) Channel Wldt, Steering	1
5	16931	(000000-	) Screw, Hex, M08 X 1.25 X 20, 8.8	5
6	08709	(000000-	) Nut, Hex, Lock, M08 X 1.25,NI	5
7	32491	(000000-	) Washer, Flt, .31 Std	31
8	386157	(000000-003797	) Plate Wldt, Floor	1
9	16735	(000000-	) Screw, Hex, M08 X 1.25 X 16, 8.8	12
10	386159	(000000-	) Plate, Floor, Upper	1
11	67767	(000000-	) Clamp, Cable, Stl, 0.69d X 0.62w, 1h	1
12	07791	(000000-	) Nut, Hex, Flng, M08 X 1.25	2
13	369702	(000000-	) Horn, 36vdc, Dba	1
14	12459	(000000-	) Screw, Hex, M06 X 1.0 X 20, Fmg	1
15	01684	(000000-	) Washer, Flt, .25 Ss	1
16	06943	(000000-	) Screw, Hex, M06 X 1.0 X 20, 8.8	2
17	386757	(000000-	) Frame	1
18	386475	(000000-	) Bracket, Mtg	2
19	32493	(000000-	) Washer, Flt, .50 Std	12
20	41345	(000000-	) Screw, Hex, M12 X 1.75 X 25, 8.8	12
21	386911	(000000-	) Angle, Rh	2
22	16931	(000000-	) Screw, Hex, M08 X 1.25 X 20, 8.8	4
23	39277	(000000-	) Screw, Hex, M08 X 1.25 X 25, 8.8	6
24	08709	(000000-	) Nut, Hex, Lock, M08 X 1.25,NI	4
▽	25	87346	(000000-) Taillight, 12vdc, 3.6 X 1.9,Rework87277	2
▲	87948	(000000-	) Lamp	1
▲	87949	(000000-	) Lampholder	1
26	01713	(000000-	) Nut, Hex, Std, #10-32, 2	4
27	32980	(000000-	) Washer, Lock, Int, #10	4
28	387138	(000000-	) Stop	2
29	387040	(000000-	) Bracket, Lh	1
30	387041	(000000-	) Bracket, Rh	1
31	387087	(000000-	) Bracket, Latch, Door	2
32	387361	(000000-	) Cup Wldt, Skid	1
33	09740	(000000-	) Screw, Hex, M08 X 1.25 X 20, Ss	3
34	67767	(000000-	) Clamp, Cable, Stl, 0.69d X 0.62w, 1h	2
35	361339	(000000-	) Screw, Hex, M06 X 1.0 X 16, Fmg	2
36	387654	(003798-	) Plate, Floor	1

Fig. 5 - Covers Group, Top and Side

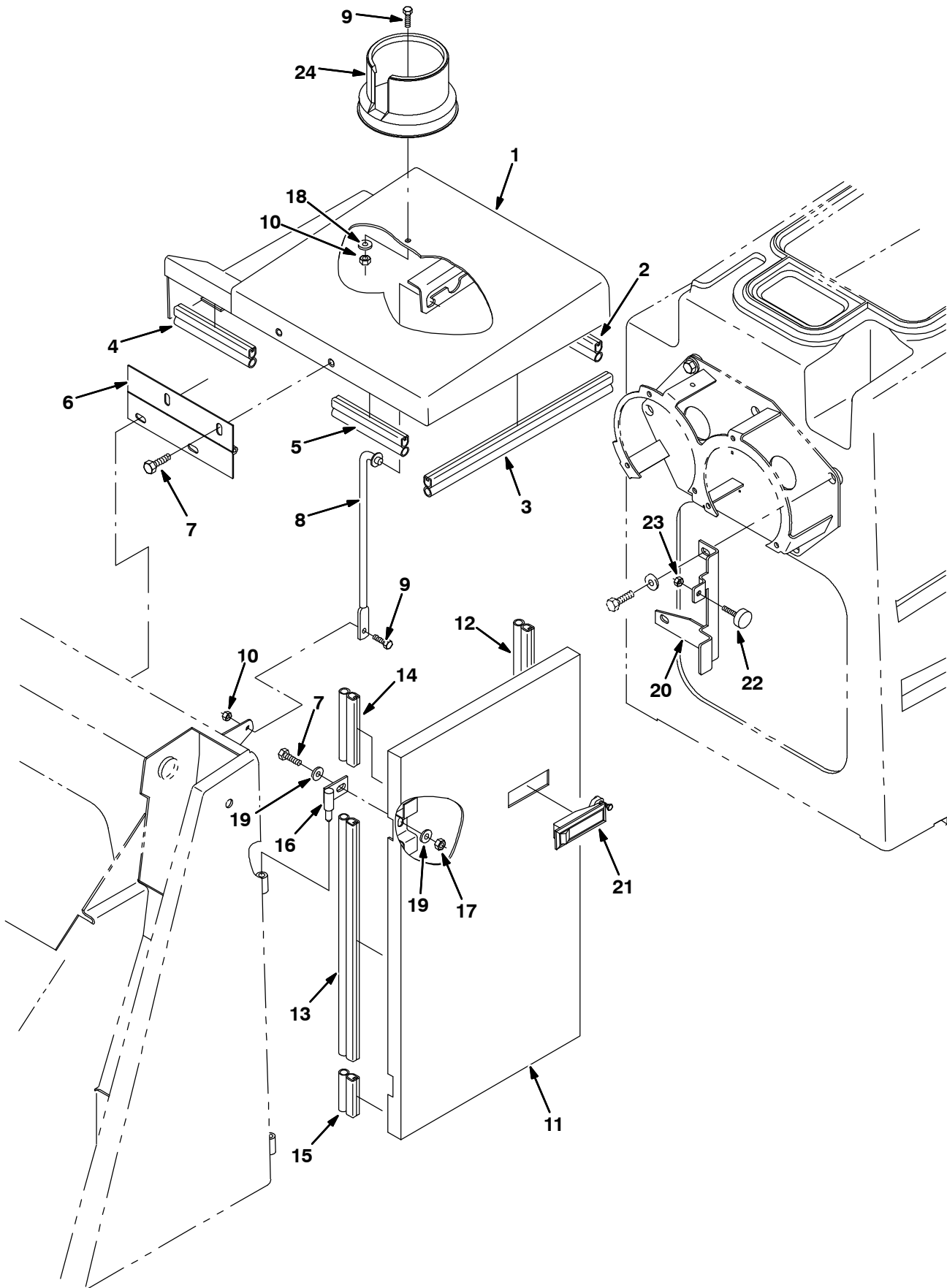


Fig. 5 - Covers Group, Top and Side

Ref.	Tennant Part No.	Machine Serial Number	Description	Qty.
1	386767	(000000-	) Cover Wldt, Top	1
2	387071	(000000-	) Seal, Bulb, [Sd-504], 21.70l	1
3	387072	(000000-	) Seal, Bulb, [Sd-504], 13.80l	1
4	387073	(000000-	) Seal, Bulb, [Sd-504], 5.70l	1
5	387074	(000000-	) Seal, Bulb, [Sd-504], 5.30l	1
6	386565	(000000-	) Hinge	1
7	16931	(000000-	) Screw, Hex, M08 X 1.25 X 20, 8.8	4
8	386769	(000000-	) Rod Wldt, Cover	1
9	06943	(000000-	) Screw, Hex, M06 X 1.0 X 20, 8.8	2
10	08708	(000000-	) Nut, Hex, Lock, M06 X 1.0, NI	2
11	386979	(000000-	) Door Wldt, Side	1
12	387075	(000000-	) Seal, Bulb, [Sd-504], 25.00l	1
13	387076	(000000-	) Seal, Bulb, [Sd-504], 15.60l	1
14	387077	(000000-	) Seal, Bulb, [Sd-504], 4.20l	1
15	387078	(000000-	) Seal, Bulb, [Sd-504], 2.40l	1
16	386774	(000000-	) Pin Wldt, Hinge	2
17	08709	(000000-	) Nut, Hex, Lock, M08 X 1.25, NI	2
18	41178	(000000-	) Washer, Flat, .25 Fender	1
19	32491	(000000-	) Washer, Flt, .31 Std	4
20	386777	(000000-	) Plate, Mtg, Door	1
21	64533	(000000-	) Latch, Trigger	1
22	20802	(000000-	) Bumper, Rbr, 1.00d 0.38t .25-20	1
23	01690	(000000-	) Nut, Hex, Std, .25-20, Ss	1
24	223599	(000000-	) Cup Holder	1

Fig. 6 - Covers Group, Rear

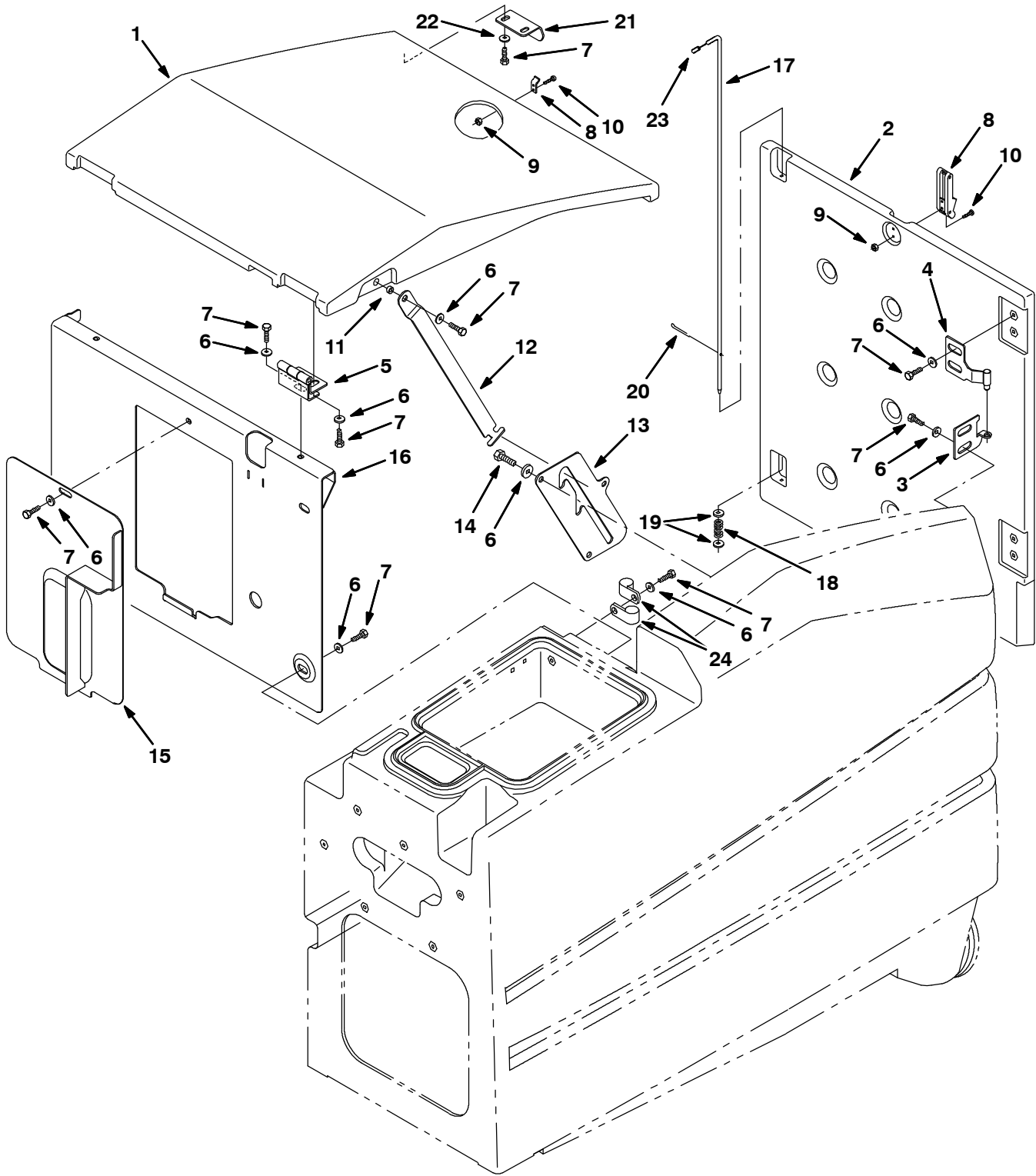


Fig. 6 - Covers Group, Rear

Ref.	Tennant Part No.	Machine Serial Number	Description	Qty.
1	386201	(000000-	) Cover, Tank, Top	1
2	386202	(000000-	) Cover, Rear	1
3	386993	(000000-	) Plate, Hinge	2
4	386995	(000000-	) Hinge Wldt, W/ Pin	2
5	386437	(000000-	) Hinge Assy	2
6	01685	(000000-	) Washer, Flt, .31 Ss	24
7	09740	(000000-	) Screw, Hex, M08 X 1.25 X 20, Ss	23
8	49800	(000000-	) Latch	1
9	02850	(000000-	) Nut, Hex, Lock, M04 X 0.7, NI	4
10	49697	(000000-	) Screw, Pan, M04 X 0.7 X 10, Ss	4
11	360801	(000000-	) Sleeve	1
12	386461	(000000-	) Rod	1
13	386413	(000000-	) Plate	1
14	09010	(000000-	) Screw, Hex, M08 X 1.25 X 25, Ss	3
15	386433	(000000-	) Cover Wldt	1
16	387348	(000000-	) Panel Wldt, Front W/ Label	1
17	386761	(000000-	) Rod, Rear Door	1
18	54743	(000000-	) Spring, Cmpr, 0.36od .04wir 2.5l	1
19	01684	(000000-	) Washer, Flt, .25 Ss	2
20	08178	(000000-	) Pin, Cotter, .062 X 0.75	1
21	386634	(000000-	) Bracket	1
22	01684	(000000-	) Washer, Flt, .25 Ss	2
23	386973	(000000-	) Cap, Vyl, .234id .750l .04	1
24	82829	(000000-	) Clamp, Cable, Stl, 0.63d X 0.75w, 1h	2

Fig. 7 - Electrical Instrument Panel Group

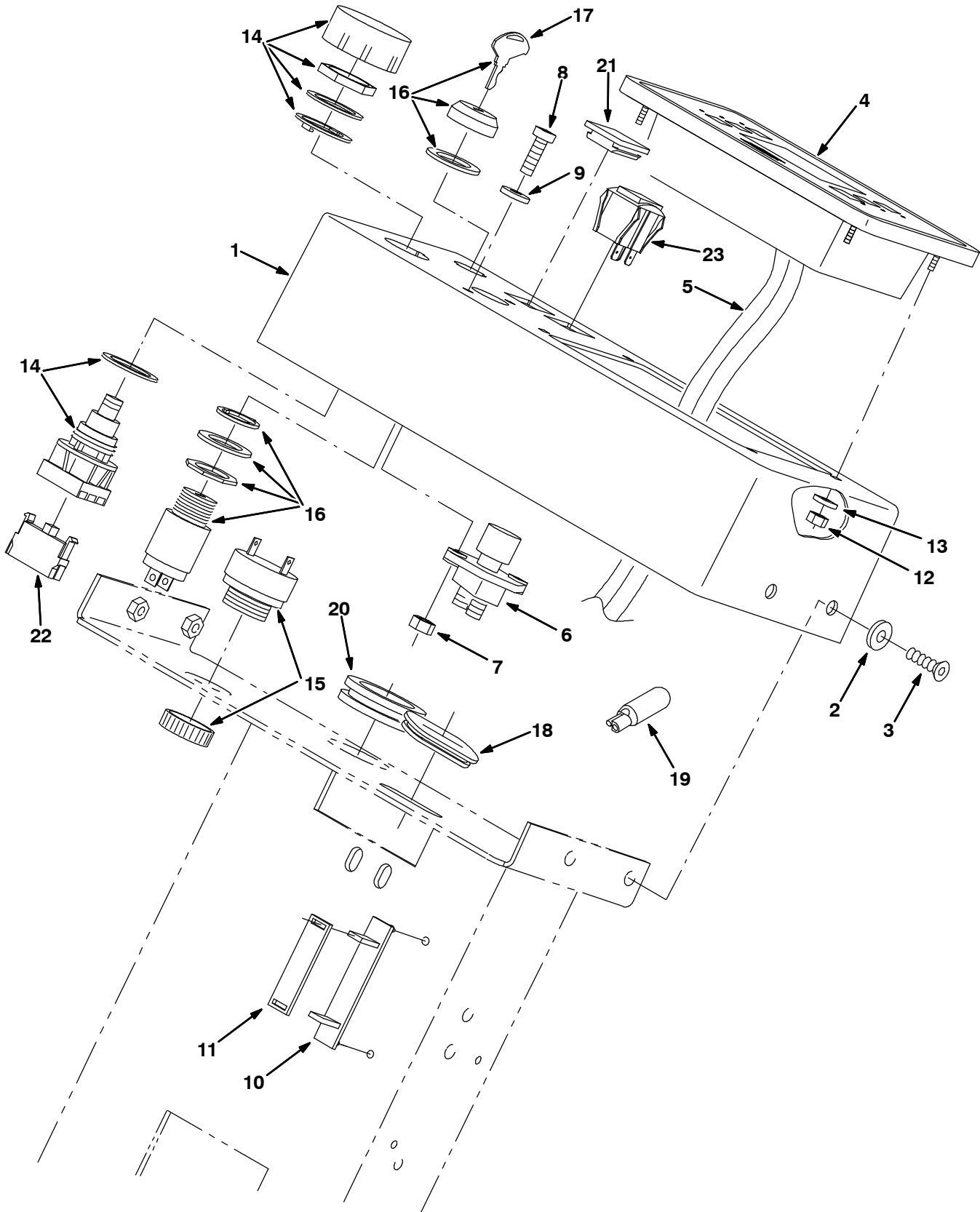


Fig. 7 - Electrical Instrument Panel Group

Ref.	Tennant Part No.	Machine Serial Number	Description	Qty.
1	386129	(000000-	) Panel, Instmt	1
2	386924	(000000-	) Washer, Finish, M06, PI	4
3	16879	(000000-	) Screw, Flat, M06 X 1.0 X 20, 10.9	4
▽ 4	391953	(000000-	) Panel Assy, Touch [8300]	1
▲ 5	386311	(000000-	) Cable, Ribbon, 34 Conductor	1
6	44078	(000000-	) Switch	1
7	08708	(000000-	) Nut, Hex, Lock, M06 X 1.0, NI	2
8	09007	(000000-	) Screw, Hex, M06 X 1.0 X 25, Ss	2
9	32483	(000000-	) Washer, Flt, .25 Sae	2
10	386808	(000000-	) Clamp, Ribbon Cable	1
11	386809	(000000-	) Clamp, Ribbon Cable, Hold-Down	1
12	06549	(000000-	) Nut, Hex, Lock, M05 X 0.8, NI	4
13	19066	(000000-	) Washer, Flt, #10	4
14	78553	(000000-	) Switch	1
15	386346	(000000-	) Alarm, Warning, 10-48vdc	1
▽ 16	361076	(000000-	) Switch, Start	1
▲ 17	361144	(000000-	) Key, Ignition	1
18	27928	(000000-	) Grommet, Ribbon Cable, .63 X 1.81	1
19	222290	(000000-	) Diode, Ele, Plug	7
20	10632-13	(000000-	) Grommet, Rbr, 1.50id, F/ 1.8h, .31matl	1
21	222534	(000000-	) Button, Plug, 1.1 X 1.1h, Black, Plstc	2
22	65665	(000000-	) Contact, Switch	1
23	360520	(000000-	) Switch, Rocker	1

**Fig. 8 - Power Steering Group**

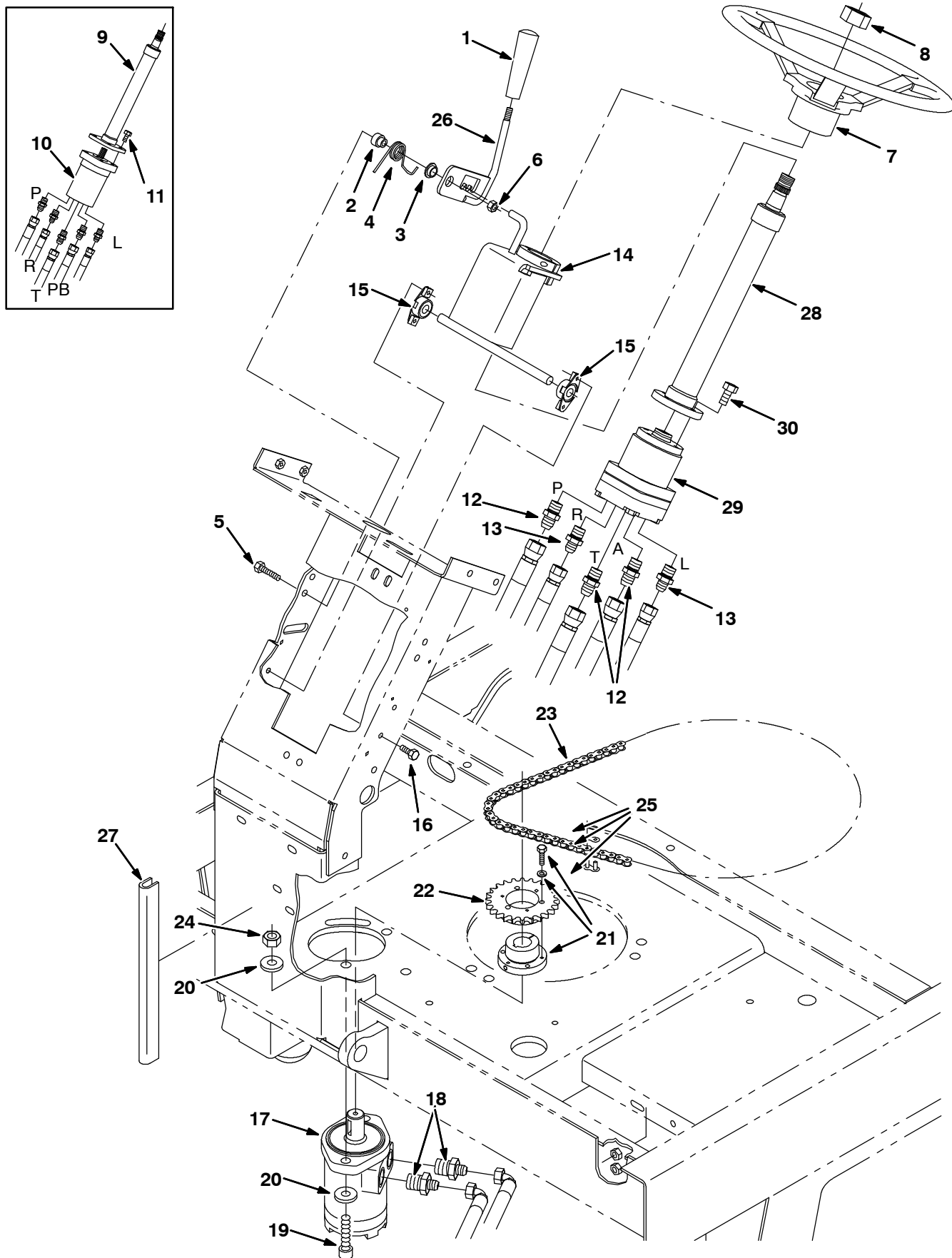




Fig. 8 - Power Steering Group

Ref.	Tennant Part No.	Machine Serial Number	Description	Qty.	
1	59940	(000000-	) Knob	1	
2	386149	(000000-	) Pin	1	
3	386217	(000000-	) Bearing, Flange	1	
4	386150	(000000-	) Spring, Torsion	1	
5	06946	(000000-	) Screw, Hex, M06 X 1.0 X 35, 8.8	1	
6	08708	(000000-	) Nut, Hex, Lock, M06 X 1.0, NI	1	
7	56398	(000000-	) Wheel, Steering, 14.0D, Taper Bore	1	
8	56185	(000000-	) Nut, Hex, Jam, M20 X 1.5	1	
▽	9	386702	(000000-003713 ) Column, Steering (Replaced by 387653)	1	
▲		74142	(000000-003713 ) Cap, Tube	1	
10	386701	(000000-003713 )	Steer-Control, Hyd (Replaced by 387653)	1	
11	06960	(000000-003713 )	Screw, Hex, M10 X 1.5 X 16, 8.8	4	
12	56690	(000000-	) Fitting, Hyd, Str, Jm06/Om06	3	
13	55685	(000000-	) Fitting, Hyd, Str, Jm04/Om06	2	
14	386204	(000000-	) Bracket Wldt, Steering, Tilt	1	
15	70709	(000000-	) Bushing Assy, Flng, 2 Hole, 0.50b	2	
16	06942	(000000-	) Screw, Hex, M06 X 1.0 X 16, 8.8	4	
17	386703	(000000-	) Motor, Hyd (See Breakdowns)	1	
18	57984	(000000-	) Fitting, Hyd, Str, Jm04/Om10	2	
19	387393	(000000-	) Screw, Soc, M12 X 1.75 X 45	2	
20	32486	(000000-	) Washer, Flt, .50 Sae	4	
21	386215	(000000-	) Bushing, Taper Lock	1	
22	386214	(000000-	) Sprocket, #40 24-Tooth	1	
23	386216	(000000-	) Chain, Roller, #40 X 109 Pitches	1	
24	08711	(000000-	) Nut, Hex, Lock, M12 X 1.75,NI	2	
25	07112	(000000-	) Link, Chain, Roller, #40	1	
26	386209	(000000-	) Handle Wldt, Steering, Tilt	1	
27	387454	(000000-	) Molding, Trim, .19-.31 12.00	1	
▽	28	373496	(003714-	) Column, Steering, #14.0L .81D 36Tooth	1
▲		74142	(003714-	) Cap, Tube	1
29	373495	(003714-	) Steer-Control, Hyd (See Breakdowns)	1	
30	11329	(003714-	) Screw, Hex, M6X1.0X16, Ss, NI	4	

Fig. 9 - Seat Group

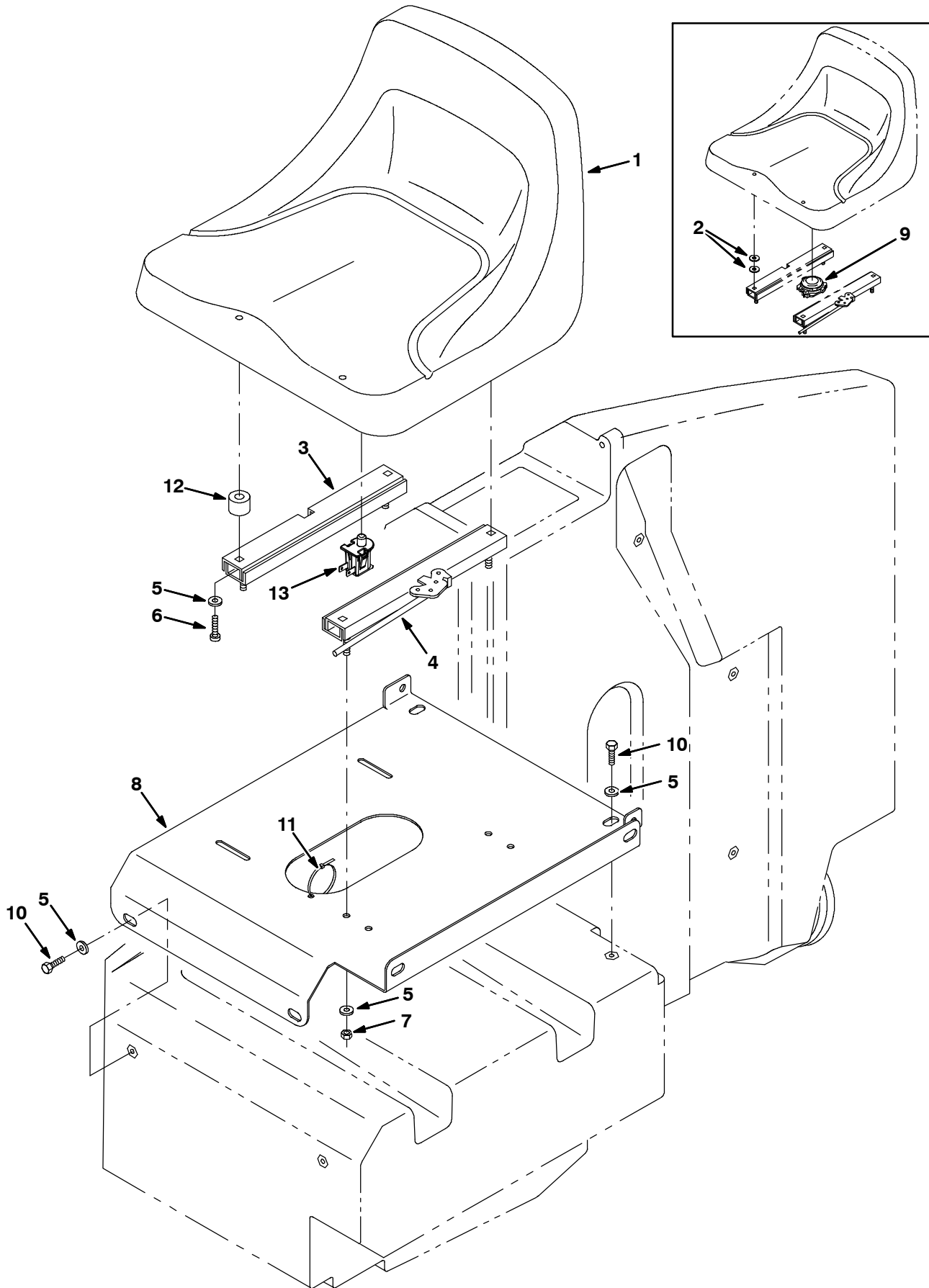


Fig. 9 - Seat Group

Ref.	Tennant Part No.	Machine Serial Number	Description	Qty.
1	375411	(000000-004738 )	Seat (Replaced by 9005082)	1
1	1048932	(004739- )	Seat, Std [Michigan, Model V-2505]	1
2	13248	(000000-004738 )	Washer	8
3	360369	(000000- )	Rail	1
4	360370	(000000- )	Rail	1
5	01685	(000000- )	Washer, Flt, .31 Ss	14
6	25537	(000000-004738 )	Screw, Pan, .31-18 X 0.75, G1	4
6	49177	(004739- )	Screw, Pan, Phl, .31-18 X 1.00, G2	4
7	32983	(000000- )	Nut, Hex, Lock, .31-18, NI	4
8	386228	(000000- )	Plate, Seat	1
9	223078	(000000-004738 )	Switch, Seat	1
10	15675	(000000- )	Screw, Hex, M08 X 1.25 X 16, Ss	6
11	49266	(000000- )	Tie, Cable, Nyl, 07.3l .19w 1.8 Max D	1
12	1049092	(004739- )	Spacer, Rnd, .38B .88D .63L	4
13	1048955	(004739- )	Switch, Seat, No [Delta 6440-04]	1

**Fig. 10 - Directional Control Group**

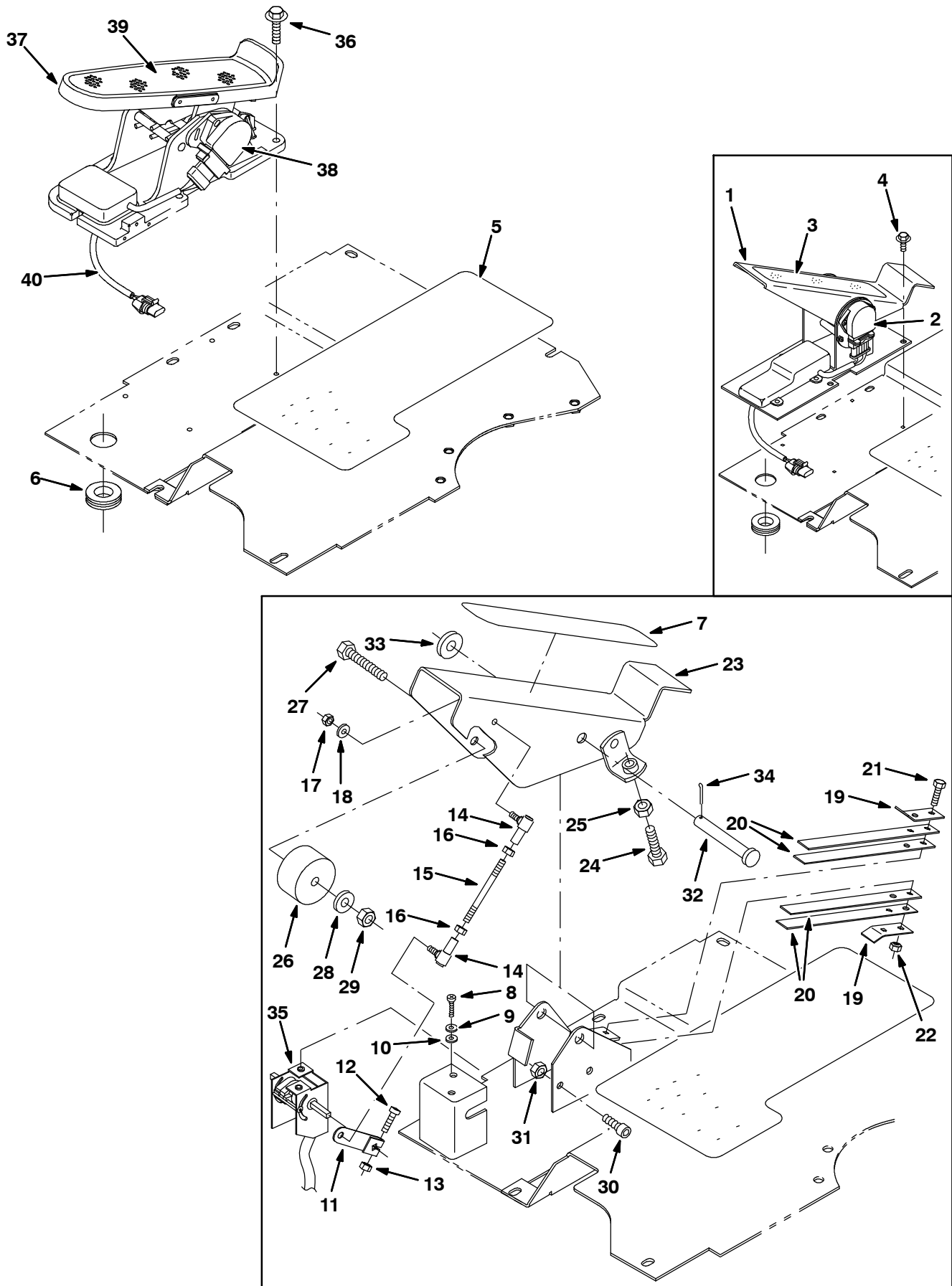


Fig. 10 - Directional Control Group

	Ref.	Tennant Part No.	Machine Serial Number	Description	Qty.
▽	1	387700	(003798-004657 )	Pedal Assy, Foot (Replaced by 1042524)	1
▲	2	385726	(003798-004657 )	Sensor, Pedal Position	1
▲	3	82839	(003798-004657 )	Tread, Non Skid, 2.2w 11.5l	1
	4	74455	(003798-004657 )	Screw, Hex, M06-1.0 X 12, Fmg	4
	5	387392	(003798- )	Tread, Non-Skid, 06.0w X 15.5l	1
	6	10632	(003798- )	Grommet, Rbr, 0.89id, F/ 1.2h, .14matl	1
	7	82839	(000000-003797 )	Tread, Non-Skid, 02.2 11.5	1
	8	06931	(000000-003797 )	Screw, Pan, M05 X 0.8 X 6, 4.8	2
	9	01683	(000000-003797 )	Washer, Flt, #10 Ss	2
	10	32980	(000000-003797 )	Washer, Lock, Int, #10	2
	11	223239	(000000-003797 )	Arm, Cntrl, Throttle, Electronic	1
	12	39717	(000000-003797 )	Screw, Pan, .25-20 X 1.00, 2	1
	13	32981	(000000-003797 )	Nut, Hex, Lock, .25-20, NI	1
	14	14601	(000000-003797 )	Balljoint, .25-28 Fem/.25-28mal	2
	15	223090	(000000-003797 )	Rod, Thr, 2 End, .25-28 04.4l	1
	16	01714	(000000-003797 )	Nut, Hex, Std, .25-28	2
	17	13513	(000000-003797 )	Nut, Hex, Lock, .25-28, NI	2
	18	32490	(000000-003797 )	Washer, Flt, .25 Std	2
	19	223601	(000000-003797 )	Retainer, Spring	2
	20	223600	(000000-003797 )	Strip, Stl, 0.05th X 00.75w, 07.80l	4
	21	06944	(000000-003797 )	Screw, Hex, M06 X 1.0 X 25, 8.8	2
	22	08708	(000000-003797 )	Nut, Hex, Lock, M06 X 1.0, NI	2
	23	223320	(000000-003797 )	Pedal Wldt, Accelerator	1
	24	39284	(000000-003797 )	Screw, Hex, M10 X 1.5 X 35, 8.8	1
	25	39312	(000000-003797 )	Nut, Hex, Std, M10 X 1.5	1
	26	87725	(000000-003797 )	Spacer	1
	27	06963	(000000-003797 )	Screw, Hex, M10 X 1.5 X 60, 8.8	1
	28	32485	(000000-003797 )	Washer, Flt, .38 Sae	1
	29	41430	(000000-003797 )	Nut, Hex, Lock, M10 X 1.5, NI	1
	30	39308	(000000-003797 )	Screw, Soc, M08 X 1.25 X 25, 12.9	1
	31	08709	(000000-003797 )	Nut, Hex, Lock, M08 X 1.25, NI	1
	32	06474A	(000000-003797 )	Pin, Clevis, 0.50 D X 3.50l	1
	33	32486	(000000-003797 )	Washer, Flt, .50 Sae	1
	34	08182	(000000-003797 )	Pin, Cotter, .125 X 1.00	1
	35	223094	(000000-003797 )	Box, Accelerator	1
	36	222159	(004658- )	Screw, Hex, M6 X 1.00 X 25, Fmg	4
▽	37	1034891	(004658- )	Pedal Assy, Propel, 36vdc	1
▲	38	385726	(004658- )	Sensor, Position, Pedal	1
▲	39	1042514	(004658- )	Tread, Non-Skid	1
▲	40	1042513	(004658- )	Circuitboard, Pedal	1

Fig. 11 - Wheel Group, Front Drive

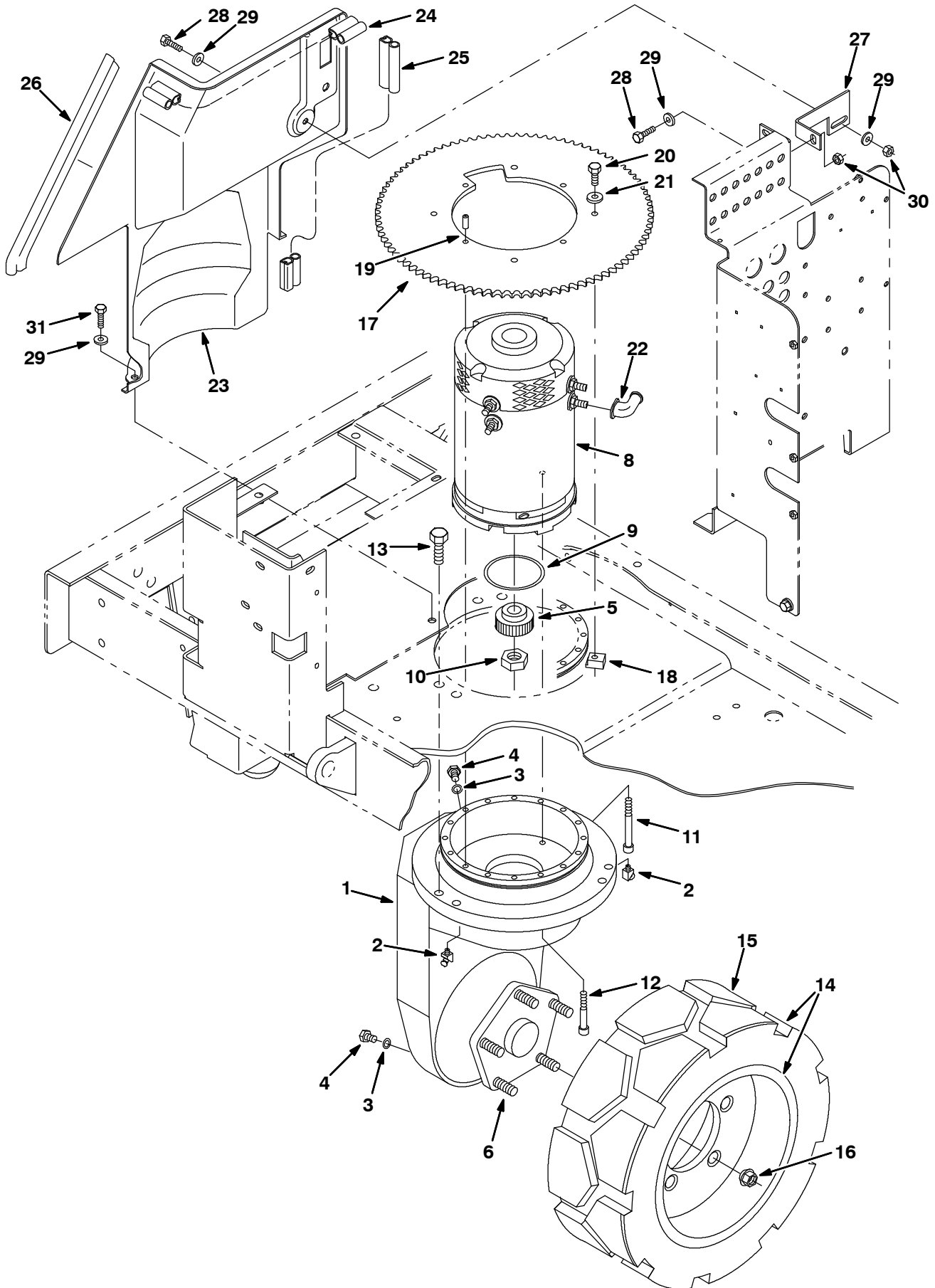


Fig. 11 - Wheel Group, Front Drive

	Ref.	Tennant Part No.	Machine Serial Number	Description	Qty.
▽	1	87355	(000000-	) Gearbox, 90, Drive Wheel, Rear, [Hu]	1
▲	2	87839	(000000-	) Fitting, Grease	2
▲	3	87840	(000000-	) Seal, O-Ring	2
▲	4	87841	(000000-	) Plug	2
▲	5	87849	(000000-	) Gear, Drive	1
▲	6	12540	(000000-	) Bolt	5
▲	7	61791	(000000-	) Bearing	1
	8	386811	(000000-	) Motor, Ele, Vdc 3.0hp Traction,[201] (See Breakdown)	1
	9	360980	(000000-	) Seal, O-Ring, .139 X 2.98id	1
	10	43957	(000000-	) Nut, Hex, Std, .50-20	1
	11	09030	(000000-	) Screw, Soc, M08 X 1.25 X 80, 12.9	2
	12	09294	(000000-	) Screw, Soc, M08 X 1.25 X 60, 12.9	1
	13	41345	(000000-	) Screw, Hex, M12 X 1.75 X 25, 8.8	6
▽	14	387660	(000000-	) Tire Assy, Solid, 16.2X6.0 5.7Bc/5 Bolt	1
▲	15	387659	(000000-	) Tire, Solid, 16.2X6.0X11.2	1
	16	87750	(000000-	) Nut, Wheel, M14-1.5	5
	17	363385	(000000-	) Sprocket Wldt, #40, 96tooth, 7.00 B	1
	18	14150	(000000-	) Clip, Sprocket	4
	19	14296	(000000-	) Pin, Roll, .310 D X 0.75l, .312/.318	4
	20	16931	(000000-	) Screw, Hex, M08 X 1.25 X 20, 8.8	4
	21	41187	(000000-	) Washer, Belleville, .38	4
	22	02076	(000000-	) Boot, 90deg .50d .57d X .84	4
▽	23	387346	(000000-	) Panel, Motor, Cover W/ Label	1
▲	24	386458	(000000-	) Seal, Bulb, [Sd-504], 15.52l	1
▲	25	386459	(000000-	) Seal, Bulb, [Sd-504], 27.90l	1
▲	26	386558	(000000-	) Seal, Bulb, [Sd-168], 12.50l	1
	27	387035	(000000-	) Bracket, Panel	1
	28	16931	(000000-	) Screw, Hex, M08 X 1.25 X 20, 8.8	2
	29	32491	(000000-	) Washer, Flt, .31 Std	8
	30	07791	(000000-	) Nut, Hex, Lock, M08 X 1.25,NI	2
	31	16735	(000000-	) Screw, Hex, M08 X 1.25 X 16, 8.8	4

Fig. 12 - Brake Pedal Group

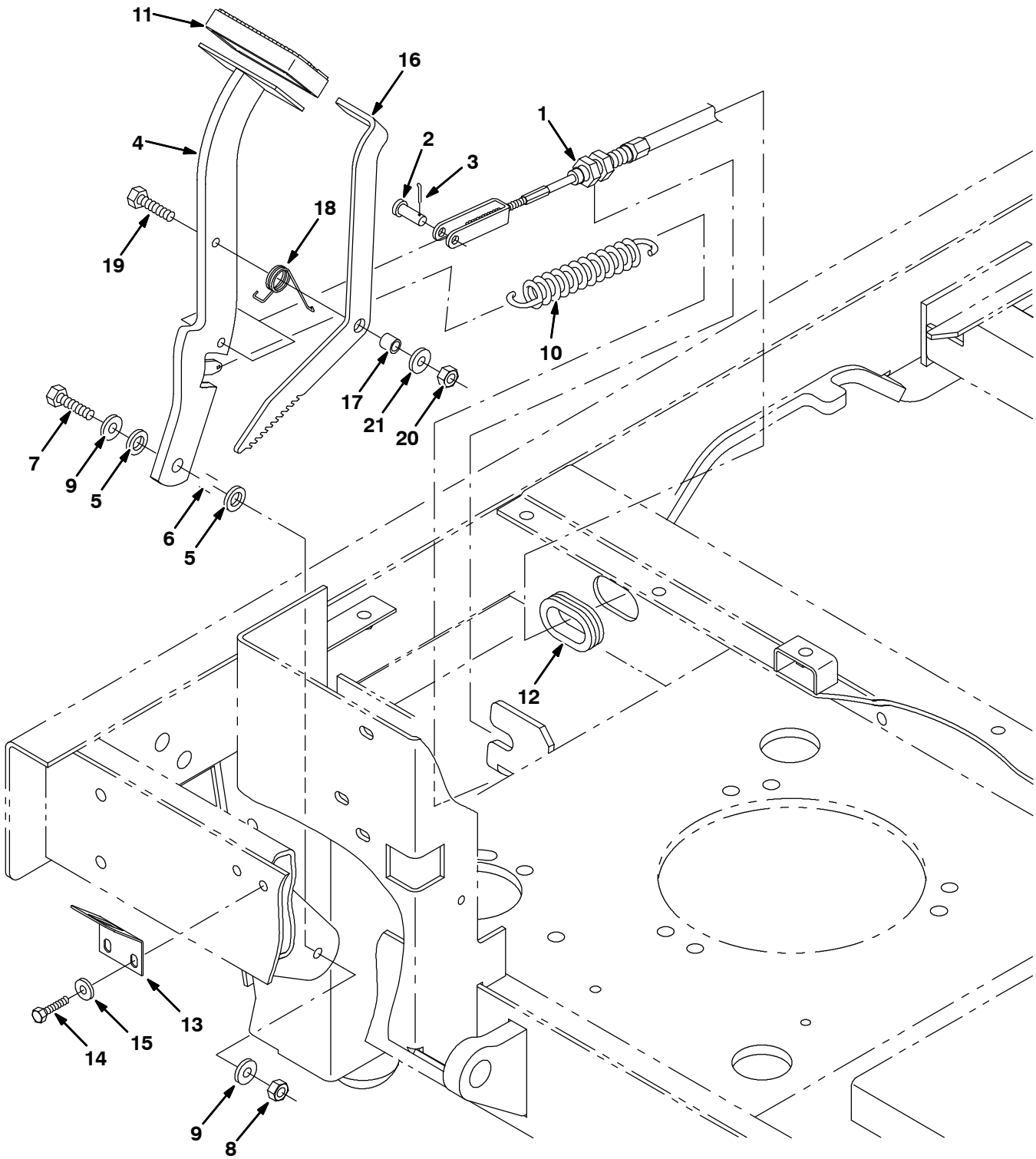




Fig. 12 - Brake Pedal Group

Ref.	Tennant Part No.	Machine Serial Number	Description	Qty.
1	386229	(000000-	) Cable, Pull	1
2	69582	(000000-	) Pin, Clevis, 0.31 D X 1.00l	1
3	39005	(000000-	) Pin, Cotter, .094 X 0.75	1
4	386375	(000000-	) Lever Wldt	1
5	86860	(000000-	) Bearing, Thrust	2
6	222460	(000000-	) Sleeve	1
7	09026	(000000-	) Screw, Hex, M08 X 1.25 X 40, Ss	1
8	08713	(000000-	) Nut, Hex, Lock, M08 X 1.25,NI, Ss	1
9	01685	(000000-	) Washer, Flt, .31 Ss	2
10	379217	(000000-	) Spring, Extn, 1.00od X 0.11wir, 5.5l	1
11	51109	(000000-	) Pad	1
12	10632-13	(000000-	) Grommet, Rbr, 1.50id, F/ 1.8h, .31matl	1
13	386915	(000000-	) Plate, Stop	1
14	06943	(000000-	) Screw, Hex, M06 X 1.0 X 20, 8.8	2
15	32490	(000000-	) Washer, Flt, .25 Std	2
16	387656	(000000-	) Pedal, Brake	1
17	46563	(000000-	) Bushing, Sleeve, 0.37b 0.50d 0.50l	1
18	59009	(000000-	) Spring, Tors, 0.75id .06wir 02.8coil	1
19	06955	(000000-	) Screw, Hex, M08 X 1.25 X 35, 8.8	1
20	08709	(000000-	) Nut, Hex, Lock, M08 X 1.25,NI	1
21	39349	(000000-	) Washer, Flt, .31 Sae	1

Fig. 13 - Wheel and Brake Group, Rear

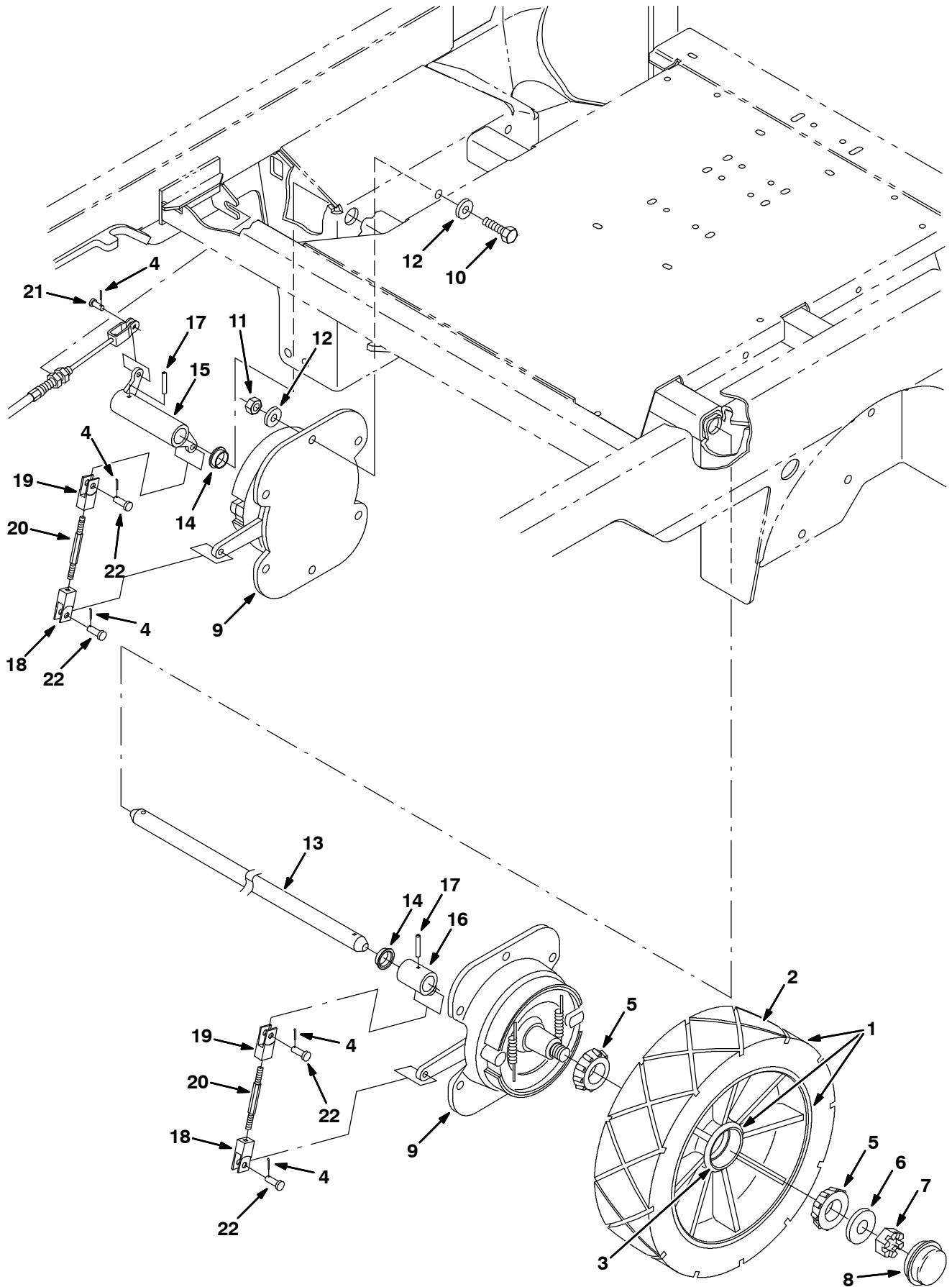


Fig. 13 - Wheel and Brake Group, Rear

	Ref.	Tennant Part No.	Machine Serial Number	Description	Qty.
▽	1	387014	(000000-	) Tire Assy, 16 X 5 X 12.12	3
▲	2	387010	(000000-	) Tire, Solid, 16X5X12.12	2
▲	3	51338AM	(000000-	) Bearing, Cup, 2.56d 0.55w	2
	4	39005	(000000-	) Pin, Cotter, .094 X 0.75	5
	5	51339	(000000-	) Bearing, Cone, 1.38b 0.71w	4
	6	32969	(000000-	) Washer, Flat, 1.00 Sae Hard	2
	7	14242	(000000-	) Nut, Hex, Sltd, 1.00-20	2
	8	54390	(000000-	) Cap, Hub 2.567 Hole	2
▽	9	54577	(000000-	) Brake Assy	2
▲		66211	(000000-	) Brake Shoes	2
▲		66213	(000000-	) Brake Repair Kit	1
▲		70161	(000000-	) Chrome Pltd Cam Shaft	1
▲		70158	(000000-	) Return Spring-Brakes	2
	10	06969	(000000-	) Screw, Hex, M12 X 1.75 X 40, 8.8	12
	11	08711	(000000-	) Nut, Hex, Lock, M12 X 1.75,NI	12
	12	32486	(000000-	) Washer, Flt, .50 Sae	24
	13	386367	(000000-	) Shaft	1
	14	83733	(000000-	) Bushing, Flng, 1.00b 1.13d 0.38l	2
	15	386370	(000000-	) Sleeve Wldt, Rh	1
	16	386379	(000000-	) Sleeve Wldt, Lh	1
	17	26315	(000000-	) Pin, Roll, .250 D X 1.50l, .250/.256	2
	18	1023676	(000000-	) Clevis, Adj, 0.38pin, 0.31-24, PI	2
	19	1023677	(000000-	) Clevis, Adj, 0.38pin, 0.31-24, Lh, PI	2
	20	386378	(000000-	) Rod, Threaded	2
	21	10120	(000000-	) Pin, Clevis, 0.31 D X 0.75l	1
	22	09088	(000000-	) Pin, Clevis, 0.37 D X 1.00l	4

**Fig. 14 - Solution Tank Group**

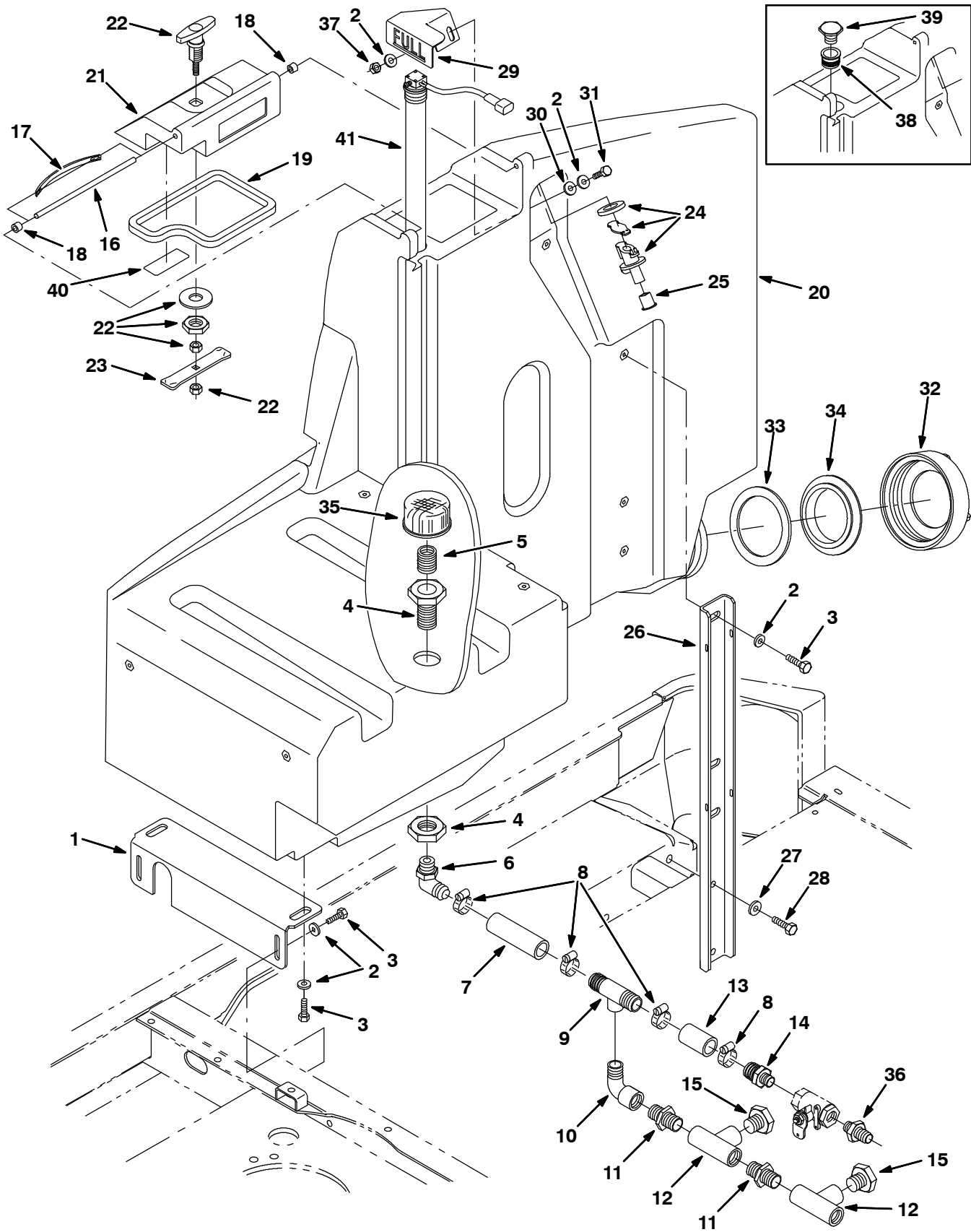


Fig. 14 - Solution Tank Group

Ref.	Tennant Part No.	Machine Serial Number	Description	Qty.
1	386109	(000000-	) Bracket, Mtg, Tank	1
2	01685	(000000-	) Washer, Flt, .31 Ss	9
3	12273	(000000-	) Screw, Hex, M08 X 1.25 X 20, Ss, NI	7
4	386224	(000000-	) Fitting, Plstc, Bkhd, Pf16/Pf16	1
5	223499	(000000-	) Fitting, Plstc, Str, Pm16/Pm16 Close	1
6	365093	(000000-	) Fitting, Plstc, E90, 16bm/16pm	1
7	386420	(000000-	) Hose, Water, 1.0id 4.5l	1
8	11399	(000000-	) Clamp, Hose, Wormdrive, 0.81-1.50d	4
9	365096	(000000-	) Fitting, Plstc, Tee, Bm16/Pf12/Bm16	1
10	69785	(000000-	) Fitting, Plstc, E90, Pm12/Pf12	1
11	24544	(000000-	) Fitting, Plstc, Str, Pm12/Pm12	2
12	42133A	(000000-	) Fitting, Plstc, Tee, Pf12/Pf12/Pf12	2
13	386421	(000000-	) Hose, Water, 1.0id 2.25l	1
14	57379	(000000-	) Fitting, Plstc, Str, Pm12/Bm16	1
15	75611	(000000-	) Fitting, Plstc, Plug, Pm12	2
16	386419	(000000-	) Pin, Hinge, Cover	1
17	386643	(000000-	) Spring, Cover	1
18	49740	(000000-	) Cap, Plastic	2
19	386320	(000000-	) Gasket, Cover, Tank, Solution	1
20	387684	(000000-	) Tank Kit, Soltn, W/ Label, Replmt [8300]	1
21	386162	(000000-	) Cover, Tank, Solution	1
22	386324	(000000-	) Handle	1
23	386222	(000000-	) Bar	1
24	78842	(000000-	) Kit, Valve, Check	1
25	78740	(000000-	) Plug, Cap	1
26	386160	(000000-	) Channel	1
27	01686	(000000-	) Washer, Flt, .38 Ss	2
28	77347	(000000-	) Screw, Hex, M10 X 1.5 X 35, Ss	2
29	387061	(000000-	) Bracket, Full	1
30	63416	(000000-	) Washer, 0.31b 0.88d .12, Rbr	1
31	09011	(000000-	) Screw, Hex, M08 X 1.25 X 30, Ss	1
32	23456	(000000-	) Cap, Tank, Drain, 6.17 Thread Pye	1
33	1031699	(000000-	) Gasket, .19, 4.05id 5.29od [Buna]	1
34	86636	(000000-	) Cover, Tank	1
35	20810	(000000-	) Filter, Soltn, 20mesh, Pf16 3.1d 02.3l	1
36	79273-2	(000000-	) Fitting, Plstc, Str, Bm12/Pm12	1
37	08713	(000000-	) Nut, Hex, Lock, M08 X 1.25,NI, Ss	1
38	223528	(000000-003817	) Grommet, Level Sensing 1.6 D 9.6L	1
39	49745	(000000-003817	) Fitting, Plstc, Plug, PM16	1
40	391451	(003818-	) Label, Attention Fast Users	1
41	375431	(003818-	) Kit, Replmt, Press Switch/34" Tube	1

**Fig. 15 - FaST Solution Pump Group (000000-004791)**

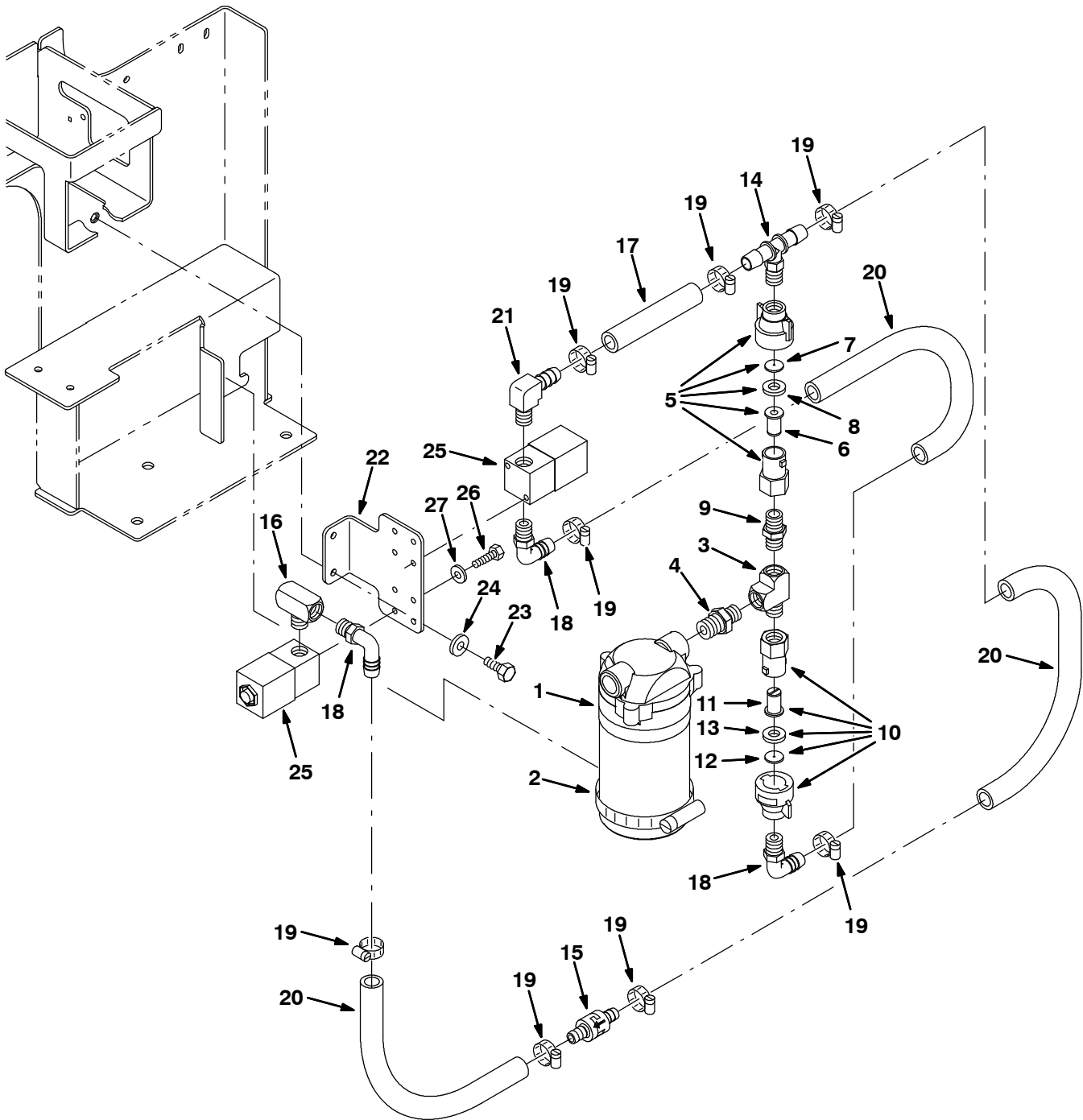


Fig. 15 - FaST Solution Pump Group (000000-004791)

Ref.	Tennant Part No.	Machine Serial Number	Description	Qty.	
1	1005866	(000000-004791 )	Pump, Soltn, Ele, 36vdc	1	
2	43555	(000000-004791 )	Clamp, Hose, Wormdrive, 1.62-3.50d	1	
3	24929	(000000-004791 )	Fitting, Brs, Tee, Pf04/Pf04/Pm04	1	
4	1010835	(000000-004791 )	Fitting, Brs, Str, Pm04/Pm06	1	
▽	5	1010655	(000000-004791 )	Fitting Assy, Cap, 0.067b, Pf04	1
▲	6	1006447	(000000-004791 )	Screen, 50 Mesh, Ss	1
▲	7	1010658	(000000-004791 )	Plate, Orifice, 0.067id	1
▲	8	1005508	(000000-004791 )	Washer, Flat, 0.34b 0.75d 0.12, Viton	1
	9	398468	(000000-004791 )	Fitting, Brs, Str, Pm04/Pm04	1
▽	10	1010660	(000000-004791 )	Fitting Assy, Cap, 0.086b, Pf04	1
▲	11	1006447	(000000-004791 )	Screen, 50 Mesh, Ss	1
▲	12	1010661	(000000-004791 )	Plate, Orifice, 0.086id	1
▲	13	1005508	(000000-004791 )	Washer, Flat, 0.34b 0.75d 0.12, Viton	1
	14	1010791	(000000-004791 )	Fitting, Plstc, Tee, Bm08/Pm04/Bm08 Nyl	1
	15	1010614	(000000-004791 )	Valve, Check, 2 Gpm 3" 06bm/08bm	1
	16	53268	(000000-004791 )	Fitting, Brs, Tee, Pf04/Pm04/Pf04	1
	17	1011403	(000000-004791 )	Hose, Afmkt Replmt, Pvc, Brd 0.50id 1 Ft	1
	18	1010713	(000000-004791 )	Fitting, Plstc, E90, Bm08/Pm04 Nyl	3
	19	54333	(000000-004791 )	Clamp, Hose, Wormdrive, 0.31-0.88d	8
	20	1011521	(000000-004791 )	Hose, Afmkt Replmt, Pvc, Brd 0.50id 2 Ft	3
	21	1010836	(000000-004791 )	Fitting, Brs, E90, Pm04/Bm08	1
	22	1013857	(000000-004791 )	Bracket, Mtg, Valve, Solenoid	1
	23	06942	(000000-004791 )	Screw, Hex, M6 X 1.0 X 16, 8.8	2
	24	32490	(000000-004791 )	Washer, Flat, 0.25 Std	2
	25	1028581	(000000-004791 )	Valve, Water, 36vdc, 6.0mm, 04pf	2
	26	09252	(000000-004791 )	Screw, Hex, M5 X 0.8 X 20, 8.8	4
	27	19066	(000000-004791 )	Washer, Flat, #10	4

# STANDARD PARTS

Fig. 16 - FaST Air Pump and Detergent Group (000000-004791)

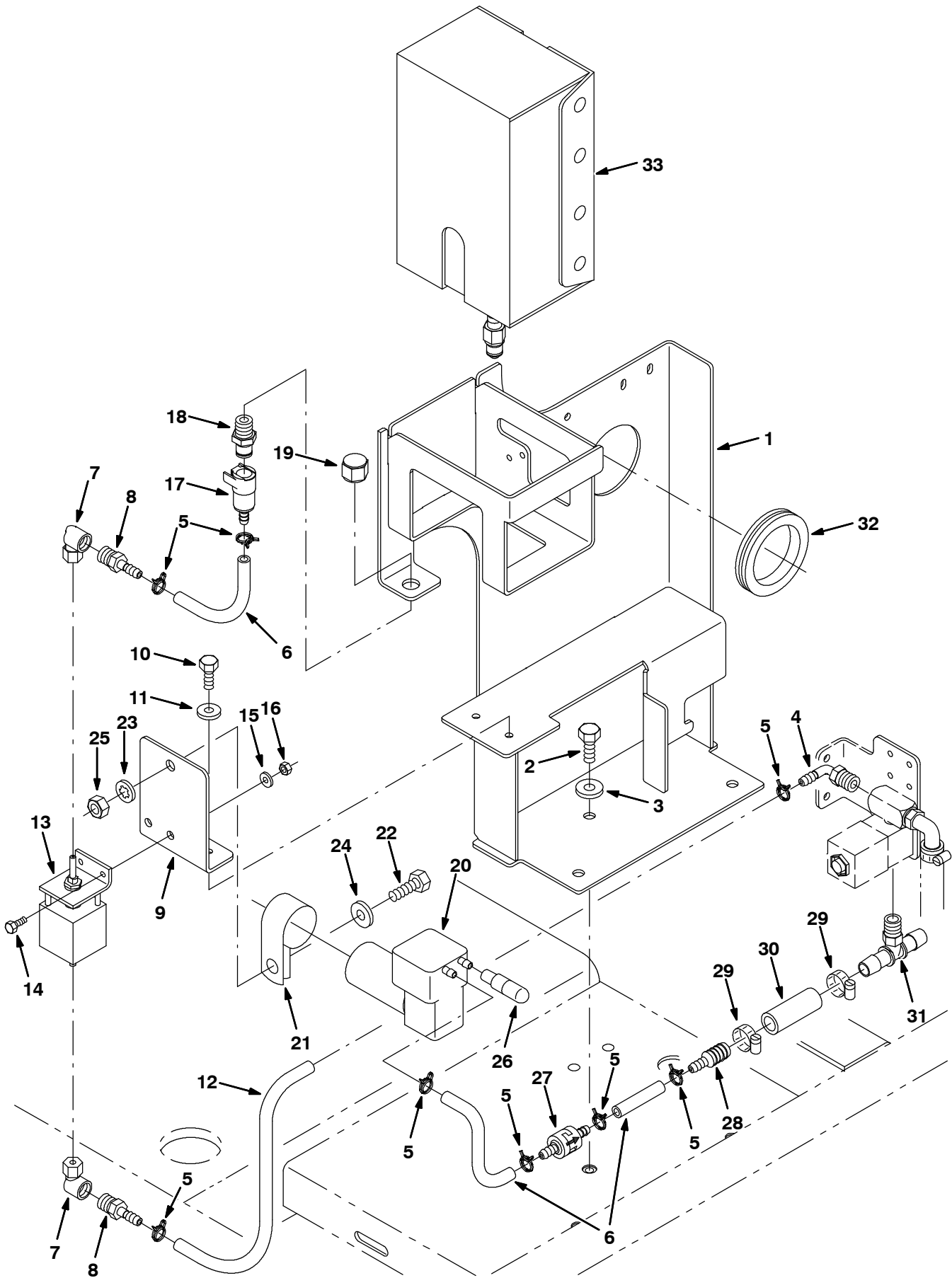




Fig. 16 - FaST Air Pump and Detergent Group (000000-004791)

Ref.	Tennant Part No.	Machine Serial Number	Description	Qty.
1	1010797	(000000-004158 )	Bracket Wldt [7300/8300-FaST]	1
1	1024009	(004159-004791 )	Bracket Wldt [7300/8300 FaST]	1
2	16931	(000000-004791 )	Screw, Hex, M8 X 1.25 X 20, 8.8	3
3	32491	(000000-004791 )	Washer, Flat, 0.31 Std	3
4	1011170	(000000-004791 )	Fitting, Plstc, E90, Bm04/Pm04 Nyl	1
5	613735	(000000-004791 )	Clamp, Hose .40 - .42 2 Wire	8
6	1014987	(000000-004791 )	Hose, Afmkt, Pvc, Clr 0.25id 1 Ft	2
7	1014082	(000000-004791 )	Fitting, Brs, E90, Cf03/Pf02	2
8	150525	(000000-004791 )	Fitting 1/8mx1/4h Barb Brs	2
9	1013866	(000000-004791 )	Bracket, Mtg, Pump, Detgt [7300/8300]	1
10	06942	(000000-004791 )	Screw, Hex, M6 X 1.0 X 16, 8.8	2
11	32490	(000000-004791 )	Washer, Flat, 0.25 Std	2
12	1014986	(000000-004791 )	Hose, Afmkt, Pvc, Clr 0.25id 2 Ft	1
13	1014056	(000000-004791 )	Pump, Detgt, 560s	1
14	09206	(000000-004791 )	Screw, Hex, M4 X 0.7 X 12, 8.8	2
15	19064	(000000-004791 )	Washer, Flat, #06	2
16	02850	(000000-004791 )	Nut, Hex, Lock, M 4 X 0.7, NI	2
17	1002898	(000000-004791 )	Coupling, Fem, W/ Valve, .25 Brb	1
18	1002899	(000000-004791 )	Coupling, Mal, .25 Npt	1
19	1005435	(000000-004791 )	Fitting, Plstc, Cap, Pf04	1
20	1008211	(000000-004791 )	Pump, Air, Ele, 36vdc	1
21	53466	(000000-004791 )	Clamp, Cable, Stl, 1.50d X 1.00w, 1h	1
22	09010	(000000-004791 )	Screw, Hex, M8 X 1.25 X 25, Ss	1
23	32984	(000000-004791 )	Washer, Lock, Int, .31	1
24	32491	(000000-004791 )	Washer, Flat, 0.31 Std	1
25	08709	(000000-004791 )	Nut, Hex, Lock, M8 X 1.25, NI	1
26	1005255	(000000-004791 )	Filter Assy, Air, Molded Ure	1
27	1010871	(000000-004791 )	Valve, Check, 2 Gpm 0.5psi Bm04/Bm04	1
28	25620	(000000-004791 )	Fitting, Plstc, Str, Bm04/Bm08	1
29	54333	(000000-004791 )	Clamp, Hose, Wormdrive, 0.31-0.88d	2
30	1011403	(000000-004791 )	Hose, Afmkt Replmt, Pvc, Brd 0.50id 1 Ft	1
31	1010791	(000000-004791 )	Fitting, Plstc, Tee, Bm08/Pm04/Bm08 Nyl	1
32	10632-19	(000000-004791 )	Grommet, Rbr, 2.13id, F/ 2.5h, .12 Matl	1
33	1017015	(000000-004791 )	Detergent Pkg, 2 Liter, Sgl, 365	1
33	1017022	(000000-004791 )	Detergent Pkg, 2 Liter, Sgl, 665	1
33	1021878	(000000-004791 )	Detergent Pkg, 4 Liter, Sgl [Tco 665]	1

Fig. 17 - FaST Foam Filter Group (00000-004791)

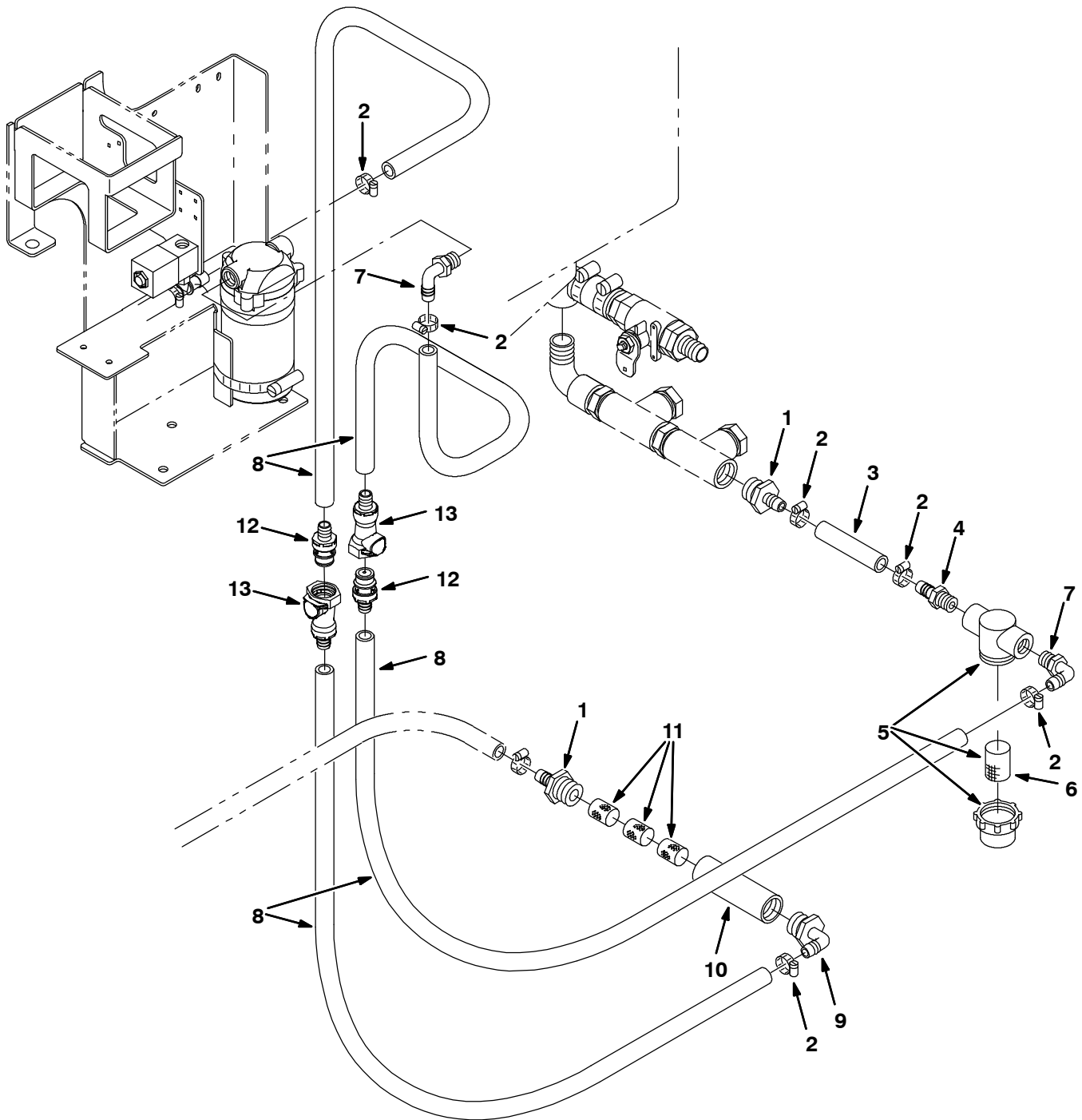


Fig. 17 - FaST Foam Filter Group (000000-004791)

Ref.	Tenant Part No.	Machine Serial Number	Description	Qty.	
1	79273-1	(000000-004791 )	Fitting, Plstc, Str, Bm08/Pm12	1	
2	54333	(000000-004791 )	Clamp, Hose, Wormdrive, 0.31-0.88d	6	
3	1011403	(000000-004791 )	Hose, Afmkt Replmt, Pvc, Brd 0.50id 1 Ft	1	
4	64743	(000000-004791 )	Fitting, Plstc, Str, Bm08/Pm06	1	
▽	5	1005302	(000000-004791 )	Filter, Inline, Pf06/Pf06, 80 Mesh	1
▲	6	1005304	(000000-004791 )	Screen, Filter, 80 Mesh	1
7	64778	(000000-004791 )	Fitting, Plstc, E90, Bm08/Pm06	2	
8	1011835	(000000-004791 )	Hose, Afmkt Replmt, Pvc, Brd 0.50id 20ft	1	
9	1005552	(000000-004791 )	Fitting, Plstc, E90, Bm08/Pm12, Nyl	1	
10	1005086	(000000-004791 )	Tube, Pvc, Shc80, Clear, 4.0l	1	
11	1002789	(000000-004791 )	Filter, Foam	3	
12	1017415	(000000-004791 )	Coupling Insert, Qm, Bm08	1	
13	1017413	(000000-004791 )	Coupling Body, Qf, Pm08	1	

**Fig. 18 - FaST Pumps and Detergent Group (004792- )**

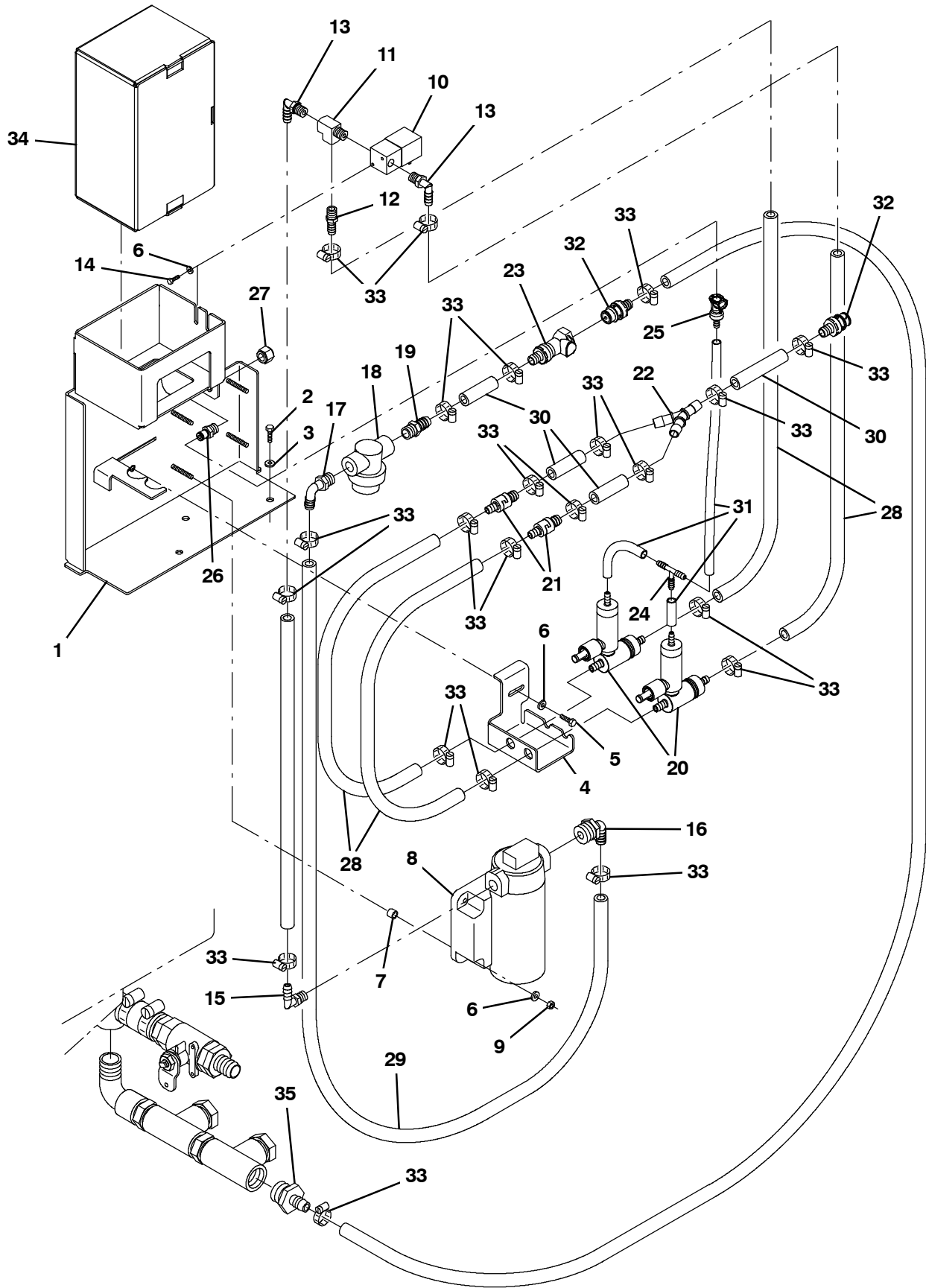


Fig. 18 - FaST Pumps and Detergent Group (004792- )

Ref.	Tennant Part No.	Machine Serial Number	Description	Qty.
1	1050771	(004792- )	Bracket Wldt [7300/8300 Fast li+]	1
2	16735	(004792- )	Screw, Hex, M8 X 1.25 X 16, 8.8	3
3	32491	(004792- )	Washer, Flat, 0.31, Std	3
4	1050805	(004792- )	Bracket, Mtg [Fast li+]	1
5	06942	(004792- )	Screw, Hex, M6 X 1.00 X 16, 8.8	1
6	01683	(004792- )	Washer, Flat, 10, Ss	7
7	360801	(004792- )	Sleeve, 0.32b 0.50d 0.3l, 2cham, Ss	4
8	1045633	(004792- )	Pump, Soltn, 36vdc, 65psi [Fast li+]	1
9	06549	(004792- )	Nut, Hex, Lock, M5 X 0.80, NI	4
10	1028581	(004792- )	Valve, Water, Solenoid, 36vdc 6.0mm Pf04	1
11	150709	(004792- )	Fitting, Brs, Tee, Pm04/Pf04/Pf04, Run	1
12	150540	(004792- )	Fitting, Plstc, Str, Bm06/Pm04	1
13	57248	(004792- )	Fitting, Plstc, E90, Bm06/Pm04, Nyl	2
14	12312	(004792- )	Screw, Hex, M5 X 0.80 X 12, 8.8	2
15	1049259	(004792- )	Fitting, Nyl, Qdc, E90, Bm06/ Qm10	1
16	1049254	(004792- )	Fitting, Nyl, Qdc, E90, Bm08/ Qm10	1
17	64778	(004792- )	Fitting, Plstc, E90, Bm08/Pm06	1
18	1005302	(004792- )	Filter, In-Line, Pf06/Pf06 080mesh 02.6l	1
19	64743	(004792- )	Fitting, Plstc, Str, Bm08/Pm06	1
20	9006118	(004792- )	Fast Kit, Injector, Ci [7300/8300] (See Breakdowns)	2
21	1035794	(004792- )	Valve, Check, 0005psi Bm06/Bm08	2
22	1010668	(004792- )	Fitting, Plstc, Y, Bm08/Bm08/Bm08, Nyl	1
23	1017413	(004792- )	Housing, Cplg, Qf / Pm08	2
24	150713	(004792- )	Fitting, Plstc, Tee, Bm04/Bm04/Bm04	1
25	1002898	(004792- )	Fitting, Plstc, Str, Bm04, Cplg, Fem	1
26	1002899	(004792- )	Fitting, Plstc, Str, Pm04, Cplg, Mal	1
27	1005435	(004792- )	Fitting, Plstc, Pipe, Cap, Pf04	1
28	1006400	(004792- )	Hose, Afmkt, Pvc, Brd, 0.38id, 03ft, Clr	2
29	1011521	(004792- )	Hose, Afmkt, Pvc, Brd, 0.50id, 02ft, Clr	1
30	1011403	(004792- )	Hose, Afmkt, Pvc, Brd, 0.50id, 01ft, Clr	1
31	1014986	(004792- )	Hose, Afmkt, Pvc, Clr, 0.25id, 02ft	1
32	1017415	(004792- )	Insert, Cplg, Qm, Bm08	2
33	54333	(004792- )	Clamp, Hose, Wormdrive, 0.31-0.88d, .31w	22
34	1021878	(004792- )	Fast 665 4 Ltr, Detergent	1
34	9002022	(004792- )	Fast 965 4 Ltr, Detergent	1
35	79273-1	(004792- )	Fitting, Plstc, Str, Bm08/Pm12	1

**Fig. 19 - Solution Control Group**

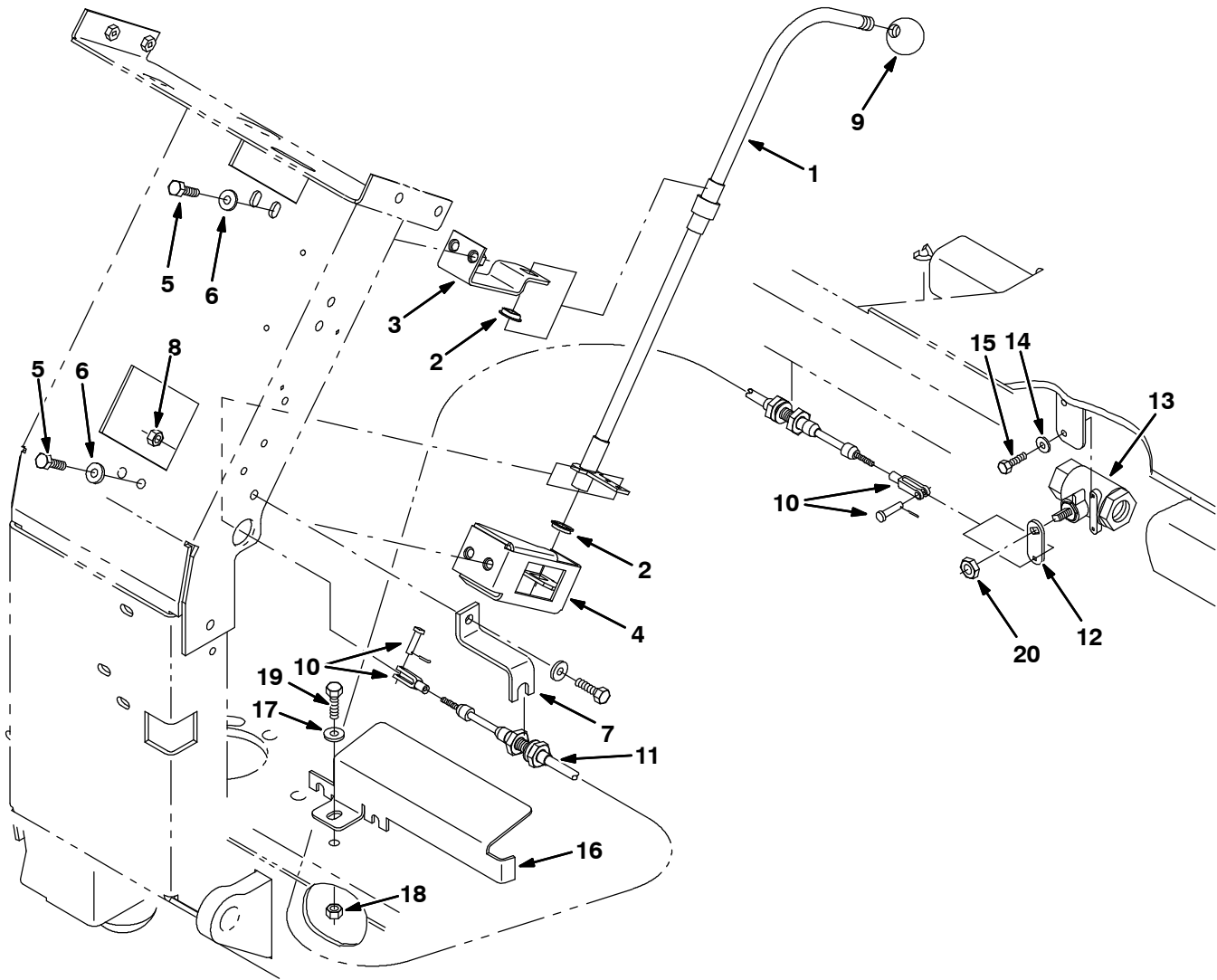


Fig. 19 - Solution Control Group

Ref.	Tennant Part No.	Machine Serial Number	Description	Qty.
1	386116	(000000-	) Rod Wldt	1
2	04843	(000000-	) Bushing, Flng, 0.63b 0.72d 0.25l	2
3	387382	(000000-	) Bracket, Cntrl, Water	1
4	387380	(000000-	) Bracket Wldt	1
5	16735	(000000-	) Screw, Hex, M08 X 1.25 X 16, 8.8	5
6	32491	(000000-	) Washer, Flt, .31 Std	4
7	386119	(000000-	) Bracket, Cable Cntrl	1
8	08709	(000000-	) Nut, Hex, Lock, M08 X 1.25, NI	1
9	26156	(000000-	) Knob, 0.50-20, 1.38d, Plstc	1
10	27880	(000000-	) Clevis, Adj, 0.19pin, #10-32	2
11	386351	(000000-	) Cable, Push Pull	1
12	386429	(000000-	) Lever, Valve, Water	1
13	79350	(000000-	) Valve, Water	1
14	01683	(000000-	) Washer, Flt, #10 Ss	2
15	42011	(000000-	) Screw, Hex, #10-24 X 0.50, Ss	2
16	387425	(000000-	) Bracket, Guard	1
17	01684	(000000-	) Washer, Flt, .25 Ss	1
18	08712	(000000-	) Nut, Hex, Lock, M06 X 1.0, NI, Ss	1
19	09007	(000000-	) Screw, Hex, M06 X 1.0 X 25, Ss	1
20	363453	(000000-	) Nut, Hex, Lock, .44-20, NI, Thin	1

**Fig. 20 - Recovery Tank Group**

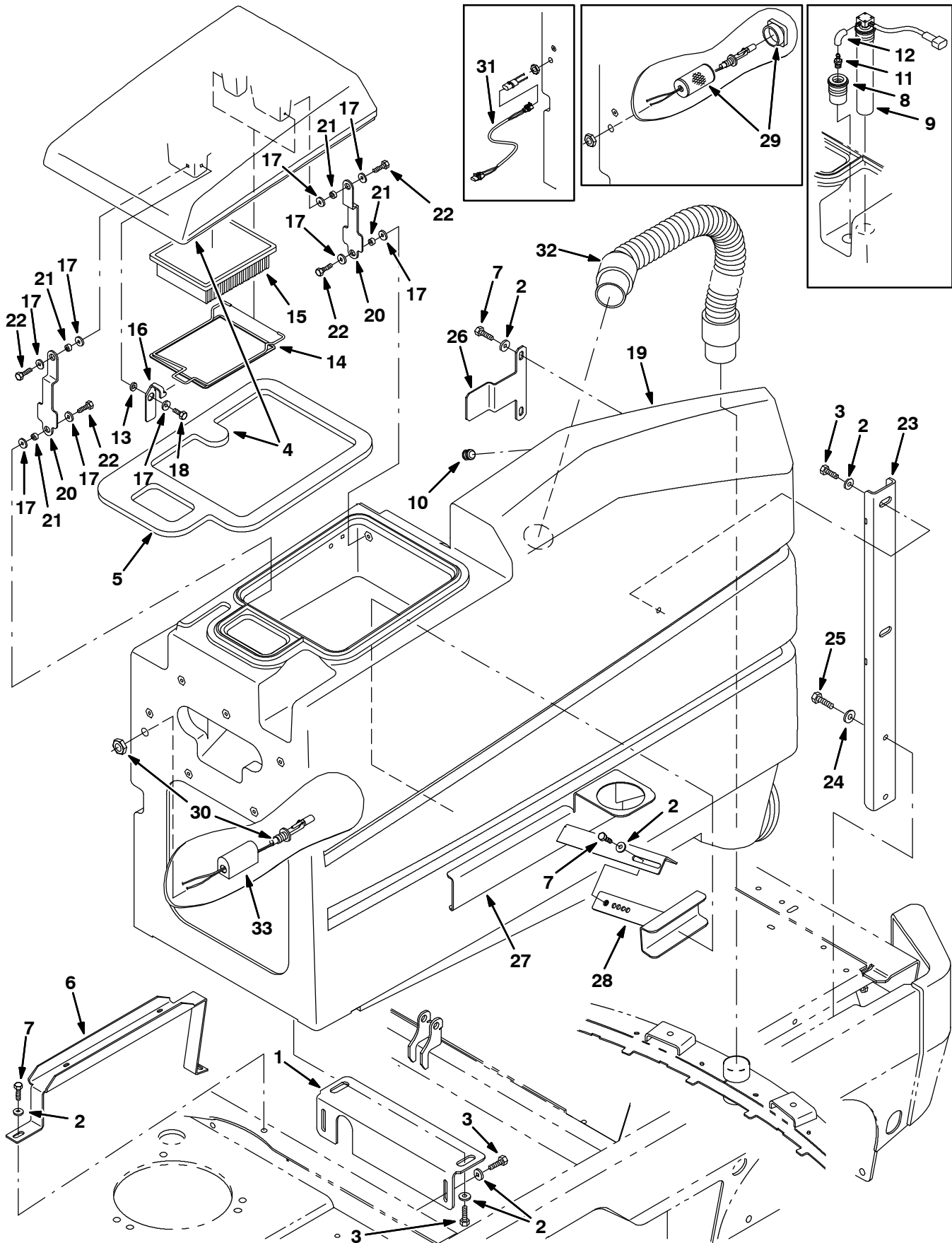




Fig. 20 - Recovery Tank Group

Ref.	Tennant Part No.	Machine Serial Number	Description	Qty.
1	386109	(000000-	) Bracket, Mtg, Tank	1
2	01685	(000000-	) Washer, Flt, .31 Ss	14
3	12273	(000000-	) Screw, Hex, M08 X 1.25 X 20, Ss, NI	6
▽ 4	387593	(000000-	) Kit, Cover, Recvy, W/Gasket	1
▲ 5	386223	(000000-	) Gasket, Tank, Recovery	1
6	386330	(000000-	) Channel, Harness	1
7	09740	(000000-	) Screw, Hex, M08 X 1.25 X 20, Ss	6
8	385750	(000000-003426	) Tube Assy, 2 Inch	1
9	375429	(000000-003426	) Switch Assy, Press, 4 Inch	1
10	386424	(000000-	) Plug, Cap	1
11	386425	(000000-003426	) Fitting, Plstc, [90 Bm03/Pm02]	1
12	13292	(000000-003426	) Hose, Vacuum, 0.16id X 05.0l	2
13	386785	(000000-	) Spacer, Latch, Filter	1
14	387615	(000000-	) Bracket, Retainer, Filter	1
15	1037822	(000000-	) Filter, Panl, Dust, 2.0 X 06.1 X 07.6	1
16	386325	(000000-	) Bracket, Retaining, Filter	1
17	01683	(000000-	) Washer, Flt, #10 Ss	9
18	15675	(000000-	) Screw, Hex, M08 X 1.25 X 16, Ss	1
19	387686	(000000-	) Tank Kit, Recvy, W/ Label, Replmt [8300]	1
20	386108	(000000-	) Bar	2
21	360801	(000000-	) Sleeve	4
22	12273	(000000-	) Screw, Hex, M08 X 1.25 X 20, Ss, NI	4
23	386160	(000000-	) Channel	1
24	01686	(000000-	) Washer, Flt, .38 Ss	2
25	77347	(000000-	) Screw, Hex, M10 X 1.5 X 35, Ss	2
26	386414	(000000-	) Bracket, Retaining	1
27	386444	(000000-	) Bracket Wldt, Tank	1
28	386445	(000000-	) Bracket Wldt, Tank	1
29	375302	(003427-004029	) Strainer, Soltn, Switch Guard (Repl. By 387649)	1
30	222822	(003427-003859	) Sensor, Level, Liquid [Magnetic]	1
30	385685	(003860-	) Sensor, Level, Liquid, 14vdc 01a .62-11	1
31	369766	(003427-003859	) Harness, Sensor, Jumper	1
32	386267	(000000-	) Hose, Vacuum, 89.0l	1
33	1019285	(004030-	) Bracket, Protector, Float Switch	1

Fig. 21 - Recovery Tank Drain Assembly

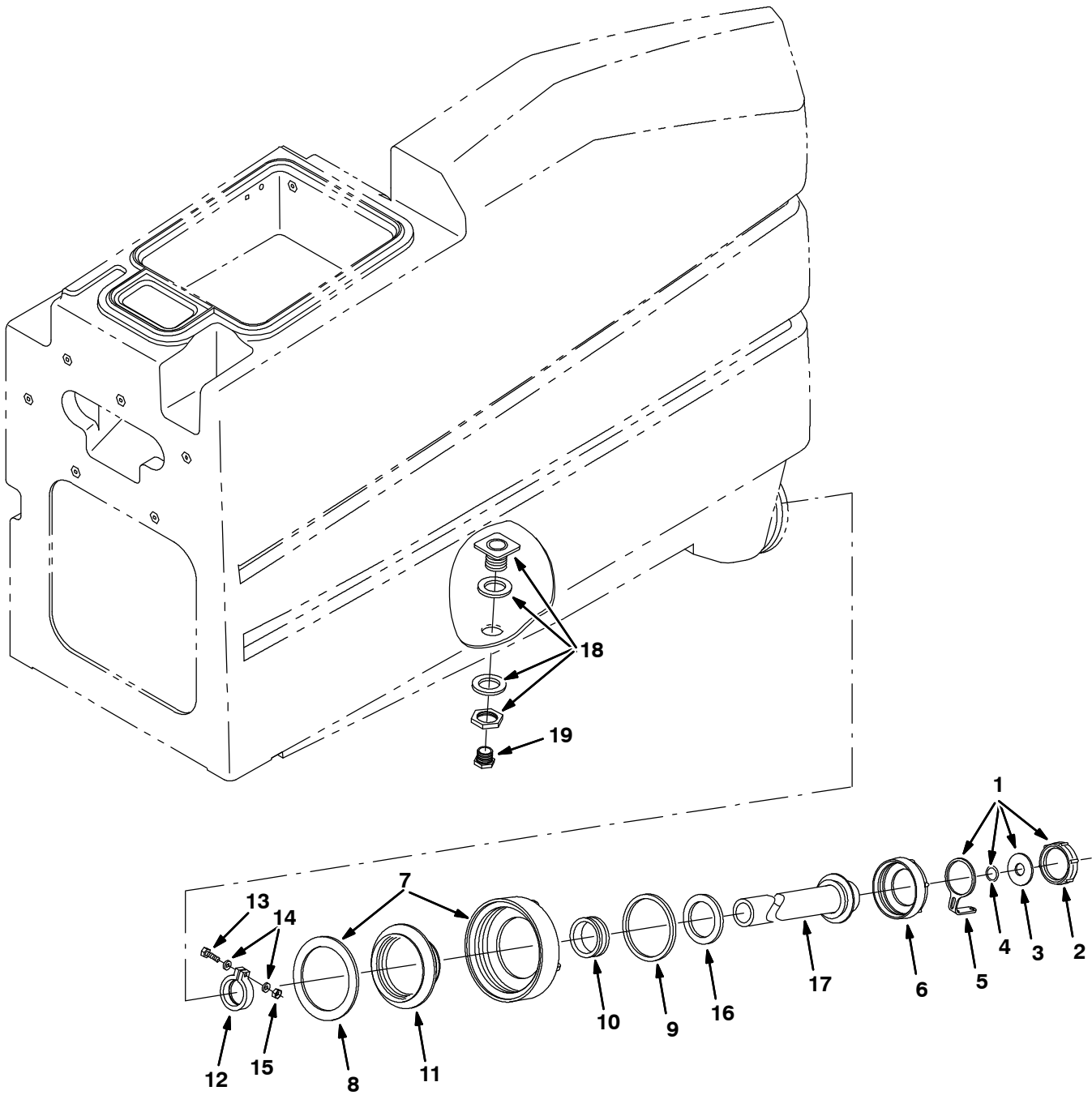


Fig. 21 - Recovery Tank Drain Assembly

	Ref.	Tennant Part No.	Machine Serial Number	Description	Qty.
		387201	(000000-	) Hose Assy, Drain	1
▲▽	1	32501	(000000-	) Kit, Cap, Drain	1
▲▲	2	32613	(000000-	) Cap, Tank, Drain, 2.25 Thread Pye	1
▲▲	3	32614	(000000-	) Gasket, Cap	1
▲▲	4	32669	(000000-	) Ring, Retaining, Ext, 0.75d, Ss	1
▲▲	5	32508	(000000-	) Strap	1
▲	6	14880	(000000-	) Cap, Tank, Drain, 3.85 Thread Pye	1
▲▽	7	24358	(000000-	) Cap, Tank	1
▲▲	8	1031699	(000000-	) Gasket, .19, 4.05id 5.29od [Buna]	1
▲	9	79320	(000000-	) Gasket, Cap, Drain	1
▲	10	41421	(000000-	) Seal	1
▲	11	14864	(000000-	) Cover, Insert	1
▲	12	41454	(000000-	) Clamp, Hose, Plstc, 1.60d X 0.62w	1
▲	13	12316	(000000-	) Screw, Hex, M05 X 0.8 X 25, Ss	1
▲	14	01683	(000000-	) Washer, Flt, #10 Ss	1
▲	15	09739	(000000-	) Nut, Hex, Lock, M05 X 0.8, NI, Ss	1
▲	16	41451	(000000-	) Gasket, Lid	1
▲	17	386423	(000000-	) Hose Assy, Drain	1
	18	377349	(000000-	) Fitting, Plstc, Bkhd, Pf12/Pf12	1
	19	75611	(000000-	) Fitting, Plstc, Plug, Pm12	1

Fig. 22 - Scrubber Vacuum Fan Group

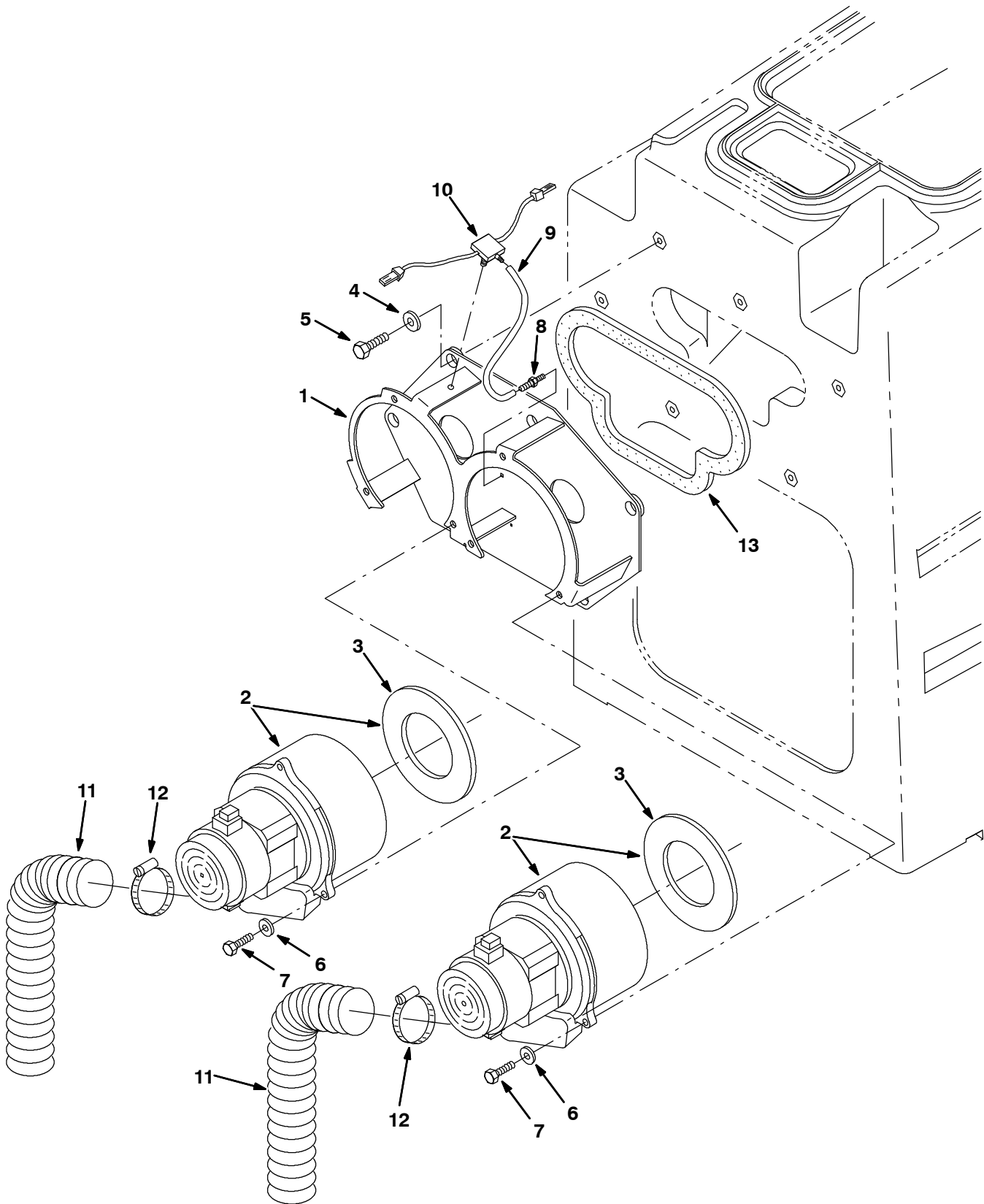


Fig. 22 - Scrubber Vacuum Fan Group

Ref.	Tennant Part No.	Machine Serial Number	Description	Qty.
1	386321	(000000-004671 )	Bracket Wldt, Mtg, Fan	1
1	1041797	(004672-	Bracket Wldt, Mtg, Fan	1
▽	2	17363 (000000-003389 )	Fan Assy, Vacuum (See Breakdown) (Replaced by 398520)	2
▲	3	223264 (000000-003389 )	Seal, Rbr, Clsd, 0.25th, 5.8d 03.3h	1
▽	2	398520 (003390-004671 )	Fan Assy, Vacuum (See Breakdown)	2
▲	3	223264 (003390-004671 )	Seal, Rbr, Clsd, 0.25th, 5.8d 03.3h	1
▽	2	1039617 (004672-	Fan, Vacuum, 5.7D, 036Vdc, 3 Stage	1
▲	3	10912 (004672-	Seal, Rbr, Clsd, 0.375, 5.0D 2.5H	1
4	13248	(000000-	Washer, 0.40b 1.12d .12, Stl, PI	6
5	15675	(000000-	Screw, Hex, M08 X 1.25 X 16, Ss	6
6	32483	(000000-	Washer, Flat, 0.25, Sae	6
7	06943	(000000-	Screw, Hex, M6 X 1.00 X 20, 8.8	6
8	40607	(000000-	Fitting, Brs, Str, Pm02/Bm03	1
9	13292	(000000-	Hose, Vacuum, 0.16id X 05.0l	1
10	386349	(000000-	Switch, Vacuum, Dual Level	1
11	387499	(000000-	Hose, Vacuum	2
12	22297	(000000-	Clamp, Hose, Wormdrive, 1.56-2.50d	2
13	386323	(000000-	Gasket, Mtg, Fan	1

Fig. 23 - Scrub Head Lift Group

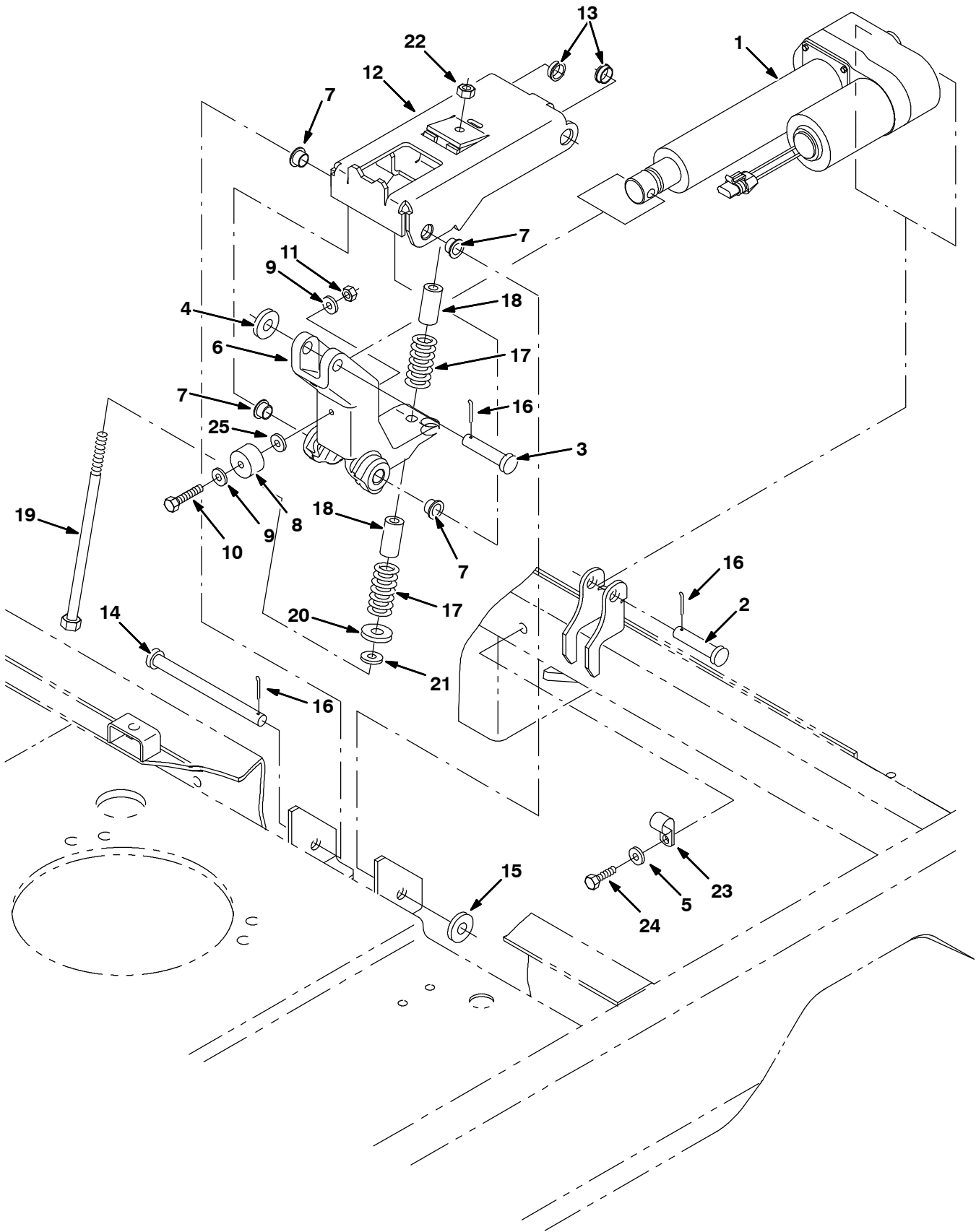


Fig. 23 - Scrub Head Lift Group

Ref.	Tennant Part No.	Machine Serial Number	Description	Qty.
1	386985	(000000-	) Actuator, 36vdc, 7.0stroke, 700lb	1
2	43290	(000000-	) Pin, Clevis, 0.50 D X 1.75l	1
3	06279	(000000-	) Pin, Clevis, 0.50 D X 2.50l	1
4	32493	(000000-	) Washer, Flt, .50 Std	1
5	01684	(000000-	) Washer, Flt, .25 Ss	1
6	387097	(000000-	) Bellcrank, Head Lift	1
7	15648	(000000-	) Bushing, Flng, 0.50b 0.59d 0.38l	4
8	386988	(000000-	) Bumper, Rbr, 1.19d .72l	1
9	01683	(000000-	) Washer, Flt, #10 Ss	2
10	24199	(000000-	) Screw, Hex, M05 X 0.8 X 16, Ss	1
11	09739	(000000-	) Nut, Hex, Lock, M05 X 0.8, NI, Ss	1
12	386031	(000000-	) Arm Wldt, Lift, Scrub Head, [7300]	1
13	04843	(000000-	) Bushing, Flng, 0.63b 0.72d 0.25l	2
14	51225	(000000-	) Pin, Clevis, 0.50 D X 5.50l	1
15	41619	(000000-	) Washer, Flt, .50 Ss	1
16	08182	(000000-	) Pin, Cotter, .125 X 1.00	3
17	386049	(000000-	) Spring, Cmpr, 1.5 Od .75id X 2.5l	2
18	386961	(000000-	) Sleeve, .38b X .75d X 1.5l, Bronze	2
19	14455	(000000-	) Screw, Hex, M08 X 1.25 X 160, 8.8	1
20	41619	(000000-	) Washer, Flt, .50 Ss	1
21	01685	(000000-	) Washer, Flt, .31 Ss	1
22	08713	(000000-	) Nut, Hex, Lock, M08 X 1.25,NI, Ss	1
23	26395-1	(000000-	) Clamp, Cable, Stl, 0.56d X 0.38w, 1h	1
24	12459	(000000-	) Screw, Hex, M06 X 1.0 X 20, Fmg	1
25	13248	(000000-	) Washer, Flat, 0.40b 1.12d .12, Stl, PI	1

**Fig. 24 - Max Pro 1000 (Disc-Brush) Scrub Head Frame Group**

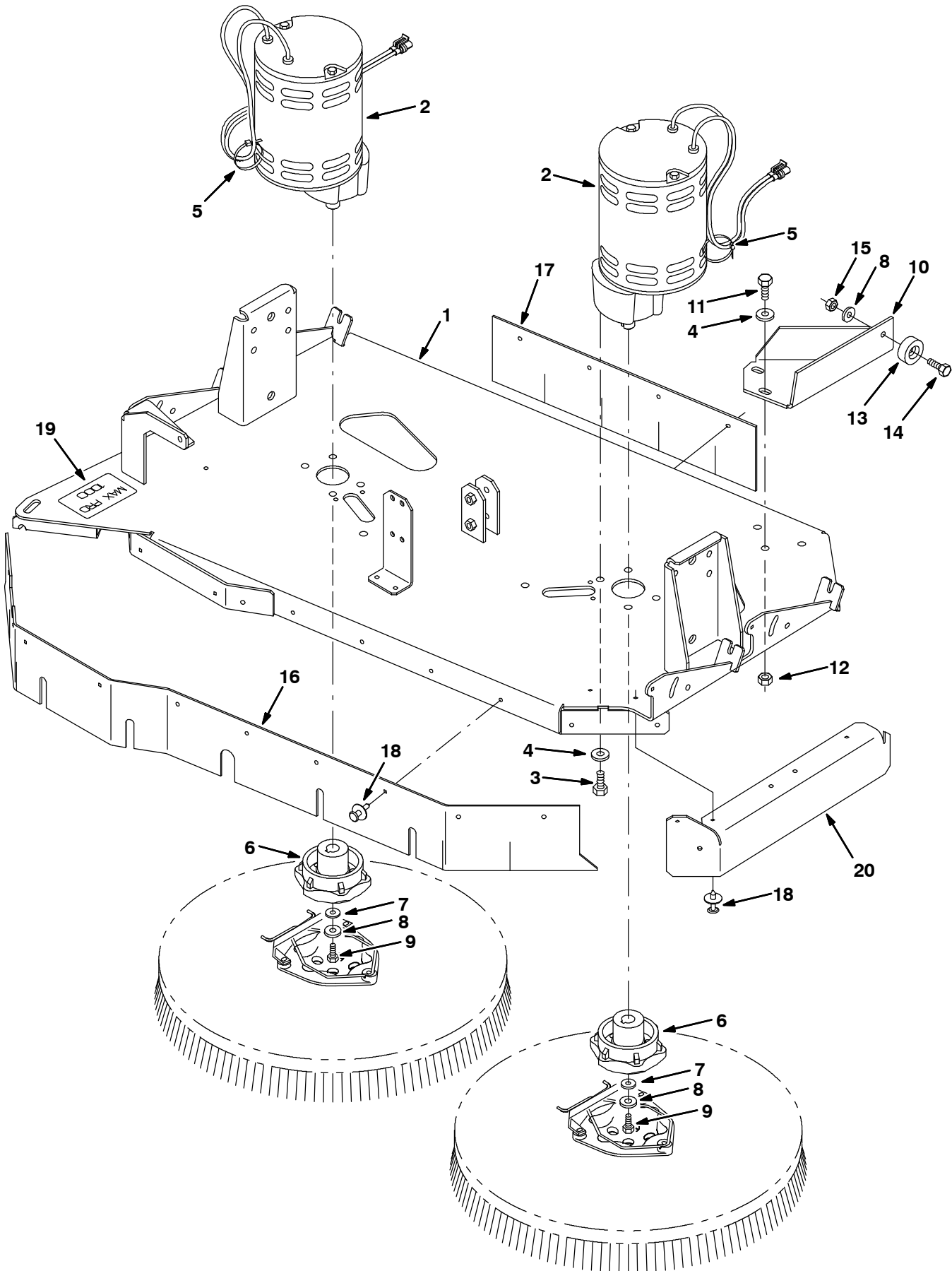




Fig. 24 - Max Pro 1000 (Disc-Brush) Scrub Head Frame Group

Ref.	Tennant Part No.	Machine Serial Number	Description	Qty.
1	386380	(000000-	) Frame Wldt, Scb Head, 2-Brush, Ele	1
2	386687	(000000-	) Motor, Ele, 36vdc 1.00hp 0300rpm, Gear (Standard) (See Breakdown)	2
2	386679	(000000-003244	) Motor, Gear, Ele, 1.5hp, 36vdc, 300rpm (Replaced by 387585AM) (See Breakdowns)	2
2	387585	(003245-	) Motor, Ele, 36vdc 1.50hp 0300rpm, Gear (Heavy Duty) (See Breakdown)	2
3	34195	(000000-	) Screw, Hex, .38-16 X 1.00, NI	8
4	01686	(000000-	) Washer, Flt, .38 Ss	11
5	49263	(000000-	) Tie, Cable, Nyl, 11.4l .19w 3.0 Max D	2
6	377364	(000000-	) Hub, Drive, Brush, Disk, 0.75B 6T	2
7	41186	(000000-	) Washer, Belleville, .31	2
8	01685	(000000-	) Washer, Flt, .31 Ss	3
9	32124	(000000-	) Screw, Hex, .31-18 X 1.00, Ss, NI	2
10	378976	(000000-	) Bracket, Stop, Frame	1
11	09028	(000000-	) Screw, Hex, M10 X 1.5 X 25, Ss	3
12	08714	(000000-	) Nut, Hex, Lock, M10 X 1.5, NI, Ss	3
13	15023	(000000-	) Bumper, Pye	1
14	09010	(000000-	) Screw, Hex, M08 X 1.25 X 25, Ss	1
15	08713	(000000-	) Nut, Hex, Lock, M08 X 1.25,NI, Ss	1
16	386387	(000000-	) Skirt, Front, Scrub Head, 2-Brush, Ele	1
17	386388	(000000-	) Skirt, Rear, Scrub Head, 2-Brush, Ele	1
18	72968	(000000-	) Rivet, Plstc, .250 X 0.898	24
19	365156	(000000-	) Label Set, Info/Hzrd, [Maxpro]	1
20	387294	(000000-	) Skirt, Side, Scrub Head, 2-Brush, Ele	2

**Fig. 25 - Max Pro 1000 (Disc-Brush) Scrub Head Linkage Group**

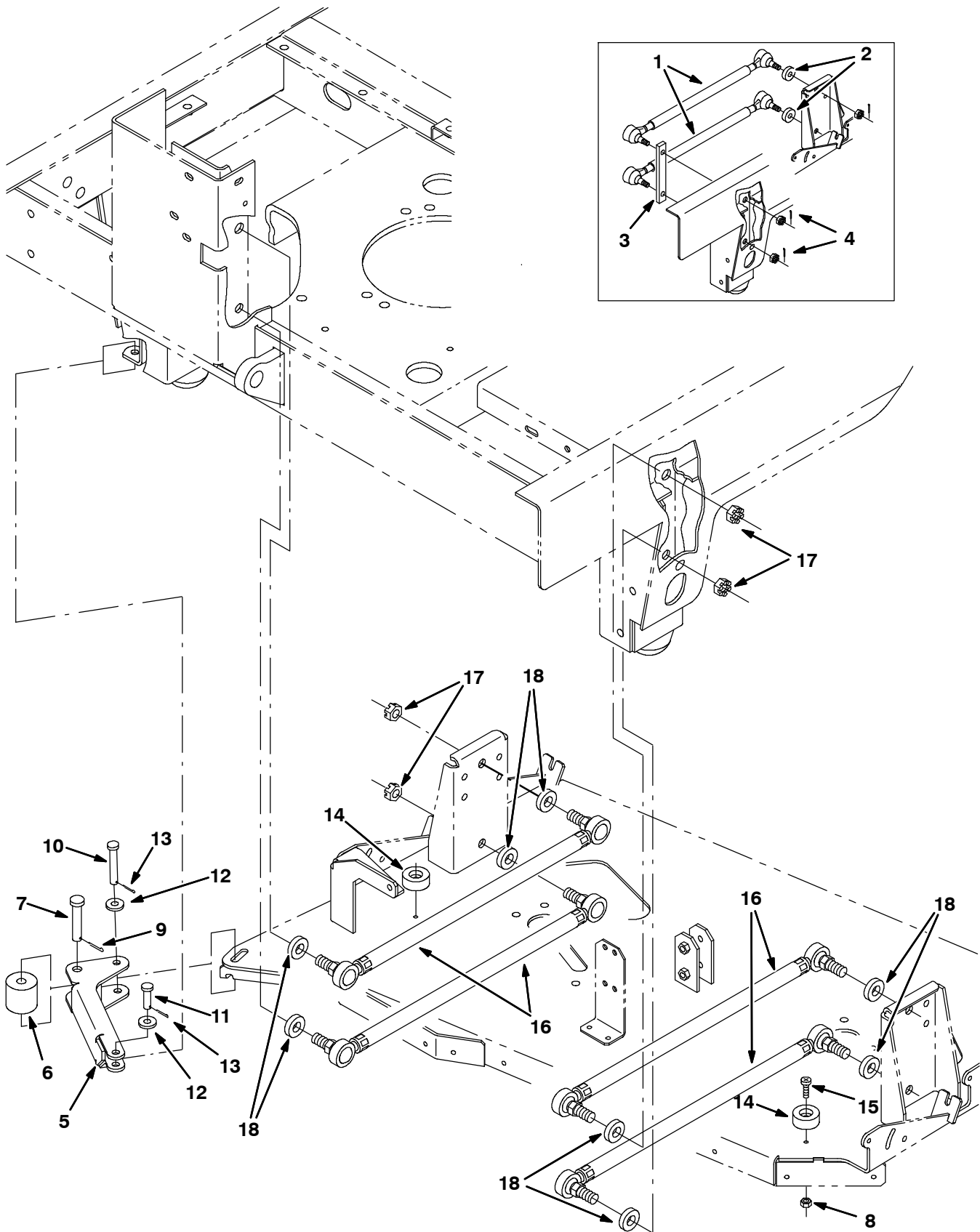


Fig. 25 - Max Pro 1000 (Disc-Brush) Scrub Head Linkage Group

Ref.	Tennant Part No.	Machine Serial Number	Description	Qty.
1	14523	(000000-004780 )	Link, Lift, Squeegee (Replaced by 9005752)	4
2	14524	(000000-004780 )	Spacer, Washer	4
3	24254	(000000-004780 )	Link, .38 1.0w 07.5l 2/1.5h	2
4	08346	(000000-004780 )	Pin, Cotter, .125 X 0.75	8
5	1001099	(000000- )	Guard, Kick In, Scb Head	1
6	72946	(000000- )	Roller	1
7	06279	(000000- )	Pin, Clevis, 0.50 D X 2.50l	1
8	08712	(000000- )	Nut, Hex, Lock, M06 X 1.0, NI, Ss	2
9	08182	(000000- )	Pin, Cotter, .125 X 1.00	1
10	365180	(000000- )	Pin, Clevis, 0.38 D X 2.50l	1
11	29557	(000000- )	Pin, Clevis, 0.37 D X 1.31l	1
12	01686	(000000- )	Washer, Flt, .38 Ss	2
13	39005	(000000- )	Pin, Cotter, .094 X 0.75	2
14	364614	(000000- )	Bumper, Neo, 1.5d .63t .31h	2
15	08716	(000000- )	Screw, Hex, M06 X 1.0 X 20, Ss	2
16	1050195	(004781- )	Link Assy, Rod-End, .63-18	4
17	40814	(004781- )	Nut, Hex, Lock, .62-18, NI, Thin	8
18	386081	(004781- )	Tube, 0.69ld 1.25Od 00.4L, Blk, Rod-End	8

# STANDARD PARTS

Fig. 26 - Max Pro 1000 (Disc-Brush) Solution Valve Group

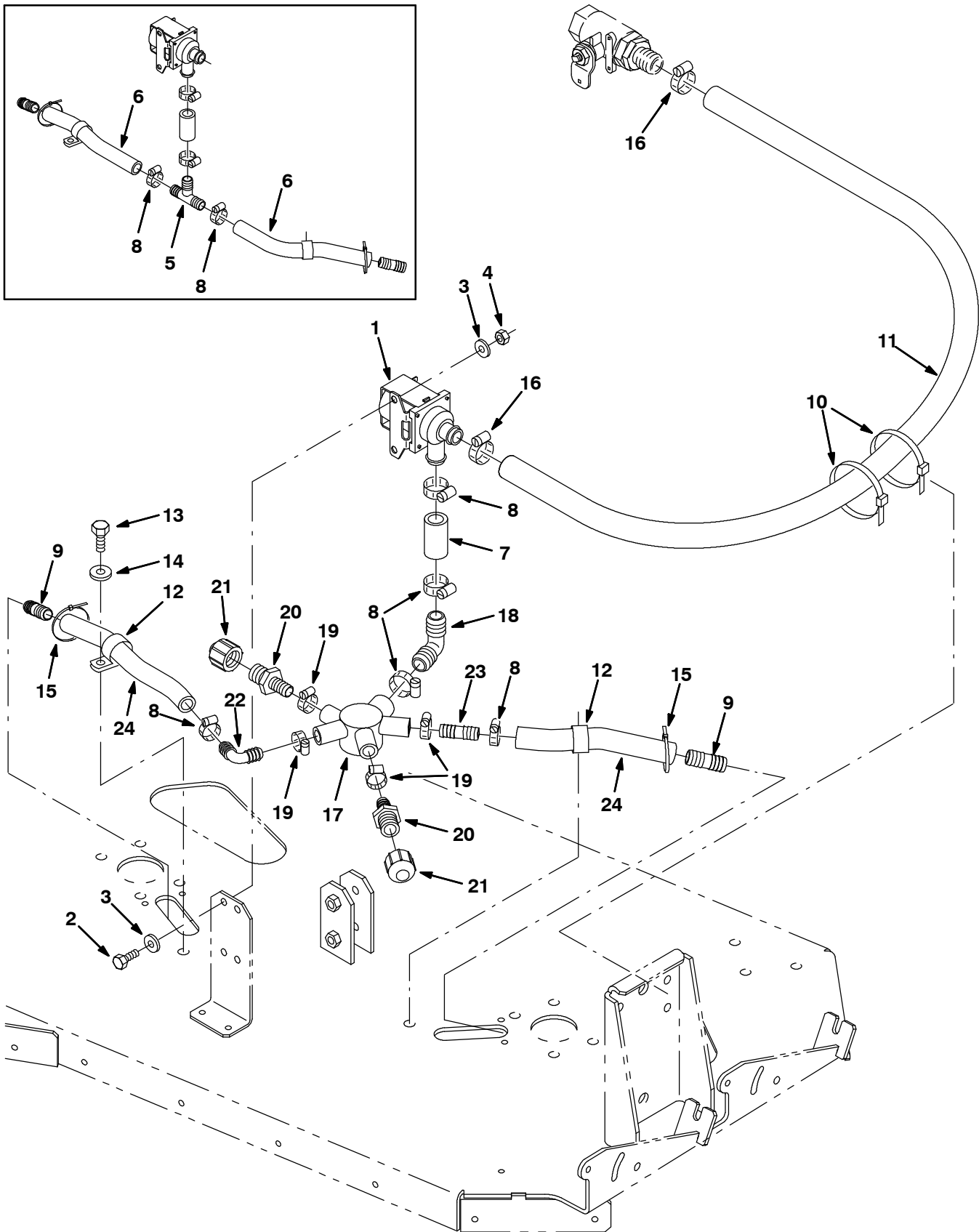


Fig. 26 - Max Pro 1000 (Disc-Brush) Solution Valve Group

Ref.	Tennant Part No.	Machine Serial Number	Description	Qty.
1	84028	(000000-	) Valve, Water	1
2	15678	(000000-	) Screw, Hex, M06 X 1.0 X 16, Ss	2
3	32490	(000000-	) Washer, Flt, .25 Std	4
4	08712	(000000-	) Nut, Hex, Lock, M06 X 1.0, NI, Ss	2
5	16356	(000000-003817	) Fitting, Plstc, Tee, Bm10/Bm10/Bm10	1
6	223699	(000000-003817	) Hose, Pvc, Brd, 0.62id 0.91od 10.30l	1
7	16914	(000000-	) Hose, Pvc, Brd, 0.75id 1.03od 02.00l	1
8	63810	(000000-	) Clamp, Hose, Wormdrive, 0.56-1.06d, .56w	6
9	365164	(000000-	) Fitting, Plstc, Str, Bm10/Bm10	2
10	44961	(000000-	) Tie, Cable, Nyl, 14.5l .30w 4.0 Max D	2
11	73474	(000000-	) Hose, Pvc, Brd, 0.75id 1.03od 44.50l	1
12	40678-1	(000000-	) Clamp, Cable, Stl, 0.88d X 0.62w, 1h	2
13	12273	(000000-	) Screw, Hex, M08 X 1.25 X 20, Ss, NI	2
14	01685	(000000-	) Washer, Flt, .31 Ss	2
15	49266	(000000-	) Tie, Cable, Nyl, 07.3l .19w 1.8 Max D	2
16	11399	(000000-	) Clamp, Hose, Wormdrive, 0.81-1.50d	2
17	1012528	(003818-	) Manifold, Soltn, Cntrl	1
18	40566	(003818-	) Fitting, Plstc, E90, Bm12/Bm12	1
19	54333	(003818-	) Clamp, Hose, Wormdrive, 0.31-0.88d, .31w	4
20	79273-4	(003818-	) Fitting, Plstc, Str, Bm08/Pm08	2
21	1015558	(003818-	) Fitting, Plstc, Cap, Pf08	2
22	63987-1	(003818-	) Fitting, Plstc, E90, Bm08/Bm08	1
23	364631	(003818-	) Fitting, Plstc, Str, Bm08/Bm08	1
24	1011521	(003818-	) Hose, Afmkt, Pvc, Brd 0.50id 2ft	1

**Fig. 27 - Max Pro 1000 (Disc-Brush) Solution Valve Group (FaST/ec-H2O)**

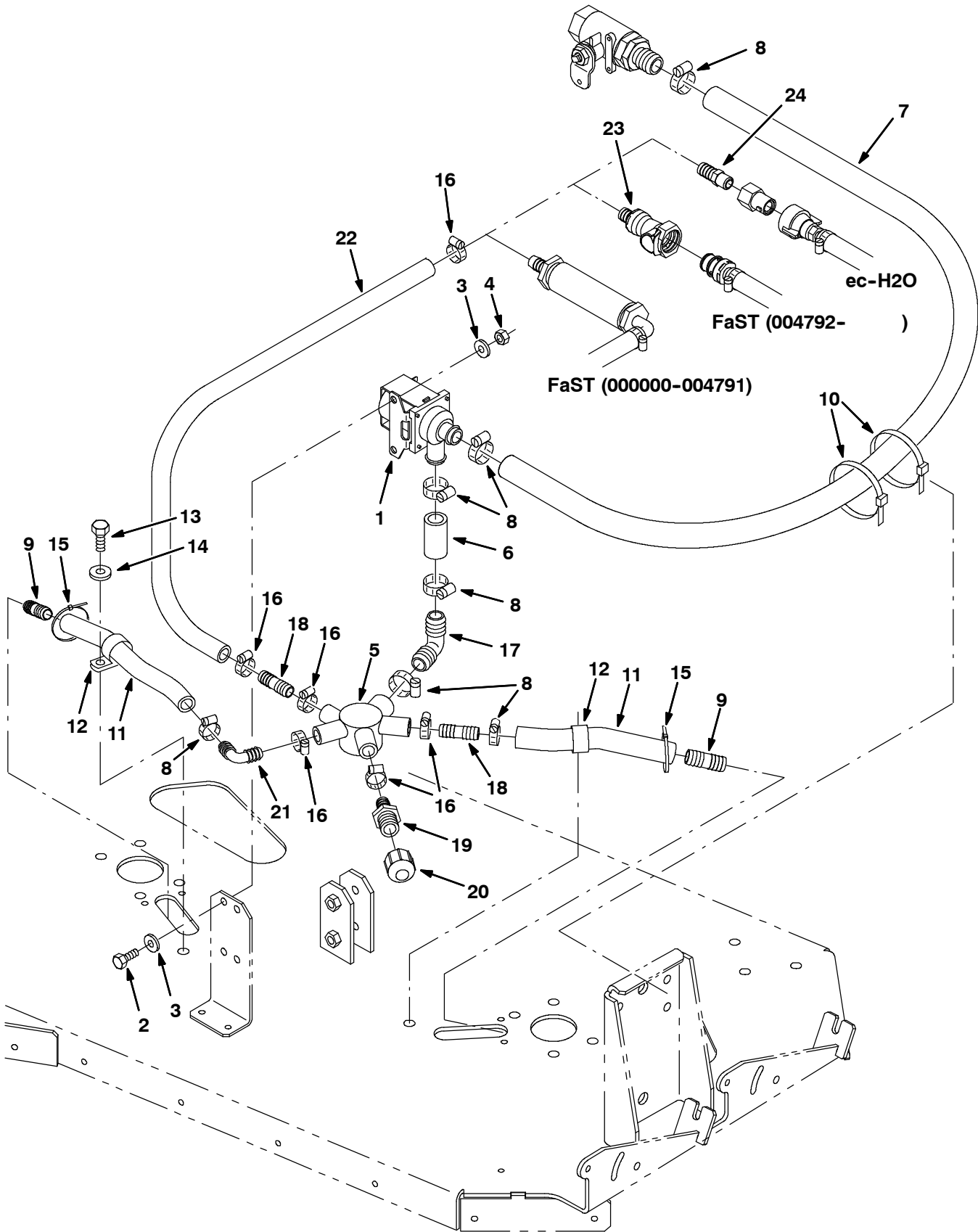


Fig. 27 - Max Pro 1000 (Disc-Brush) Solution Valve Group (FaST/ec-H2O)

Ref.	Tennant Part No.	Machine Serial Number	Description	Qty.
1	84028	(000000-	) Valve, Water	1
2	15678	(000000-	) Screw, Hex, M06 X 1.0 X 16, Ss	2
3	32490	(000000-	) Washer, Flt, .25 Std	4
4	08712	(000000-	) Nut, Hex, Lock, M06 X 1.0, NI, Ss	2
5	1012528	(000000-	) Manifold, Soltn, Cntrl	1
6	16914	(000000-	) Hose, Pvc, Brd, 0.75id 1.03od 02.00l	1
7	1015045	(000000-	) Hose, Afmkt, Pvc, Brd, 0.75id 8 Ft	1
8	63810	(000000-	) Clamp, Hose, Wormdrive, 0.56-1.06d, .56w	10
9	365164	(000000-	) Fitting, Plstc, Str, Bm10/Bm10	2
10	44961	(000000-	) Tie, Cable, Nyl, 14.5l .30w 4.0 Max D	2
11	73474	(000000-	) Hose, Pvc, Brd, 0.75id 1.03od 44.50l	2
12	40678-1	(000000-	) Clamp, Cable, Stl, 0.88d X 0.62w, 1h	2
13	12273	(000000-	) Screw, Hex, M08 X 1.25 X 20, Ss, NI	2
14	01685	(000000-	) Washer, Flt, .31 Ss	2
15	49266	(000000-	) Tie, Cable, Nyl, 07.3l .19w 1.8 Max D	2
16	54333	(000000-	) Clamp, Hose, Wormdrive, 0.31-0.88d	6
17	40566	(000000-	) Fitting, Plstc, E90, Bm12/Bm12	1
18	364631	(000000-	) Fitting, Plstc, Str, Bm08/Bm08	2
19	79273-4	(000000-	) Fitting, Plstc, Str, Bm08/Pm08	1
20	1015558	(000000-	) Fitting, Plstc, Cap, Pf08	1
21	63987-1	(000000-	) Fitting, Plstc, E90, Bm08/Bm08	1
22	1011403	(000000-	) Hose, Afmkt, Pvc, Brd 0.50id 1ft	1
23	48610	(004792-	) Fitting, Plstc, Str, Bm08/Pm04 (FaST)	1
24	1017413	(000000-	) Housing, Cplg, Qf / Pm08 (ec-H2O)	1

# STANDARD PARTS

## Fig. 28 - Max Pro 1000 (Disc-Brush) Edge Scrub Group

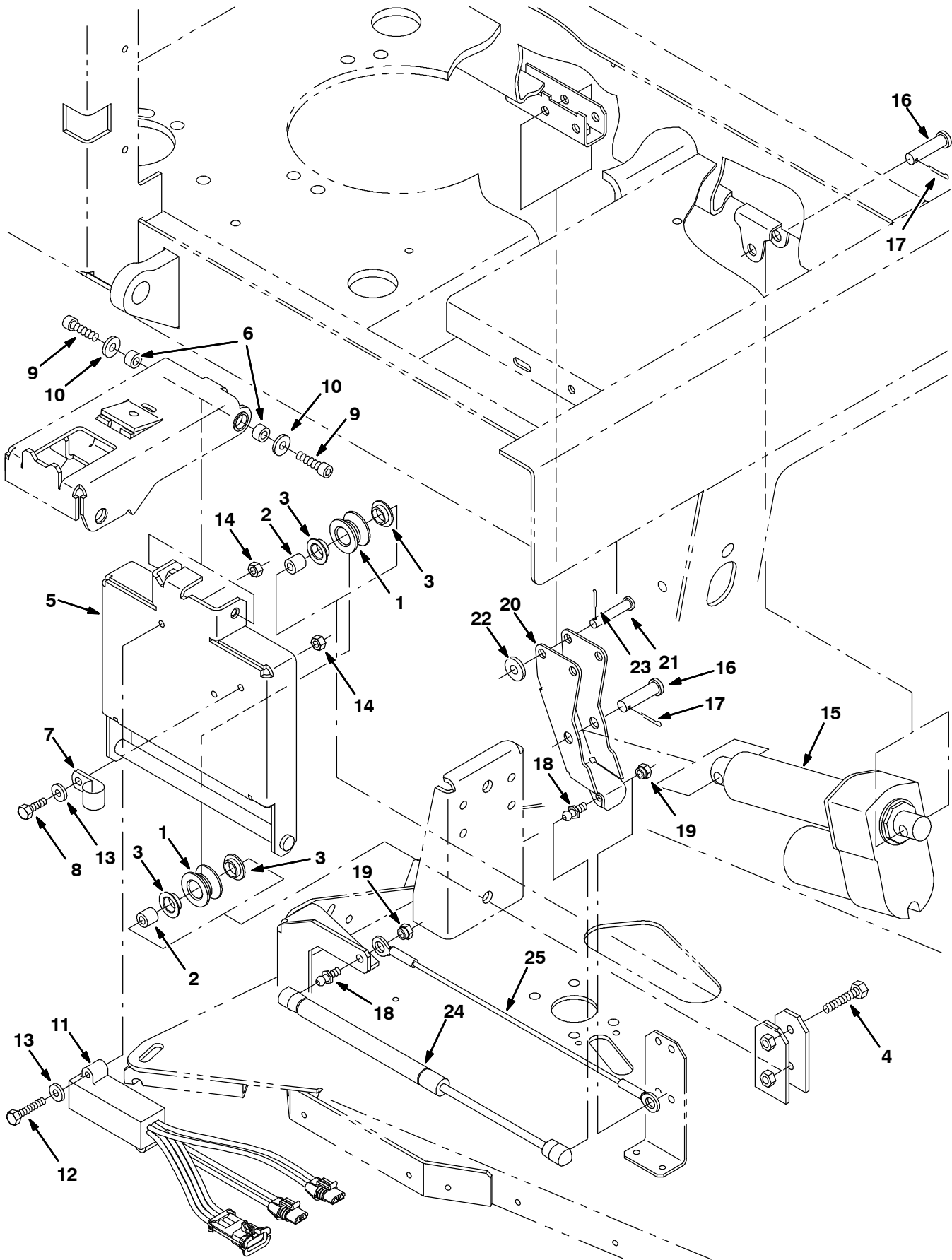




Fig. 28 - Max Pro 1000 (Disc-Brush) Edge Scrub Group

Ref.	Tennant Part No.	Machine Serial Number	Description	Qty.
1	363120	(000000-	) Roller	2
2	222277	(000000-	) Sleeve	2
3	04843	(000000-	) Bushing, Flng, 0.63b 0.72d 0.25l	4
4	222505	(000000-	) Screw, Hex, M08 X 1.25 X 45, Ss	2
5	386043	(000000-	) Rail Wldt, Lift, Disk Head	1
6	222556	(000000-	) Sleeve	2
7	67767	(000000-	) Clamp, Cable, Stl, 0.69d X 0.62w, 1h	1
8	08716	(000000-	) Screw, Hex, M06 X 1.25 X 25, Ss, NI	1
9	39308	(000000-	) Screw, Hex, M08 X 1.00 X 20, Ss	2
10	01685	(000000-	) Washer, Flt, .31 Ss	2
11	363236	(000000-	) Shunt, 2 Std Motor, Blk [SCB 515] (For Standard Motor)	1
11	363237	(000000-	) Shunt, 2 Hd Motor, Red [SCB 515] (For Heavy Duty Motor)	1
12	33930	(000000-	) Screw, Hex, M06 X 1.0 X 40, Ss	2
13	01684	(000000-	) Washer, Flt, .25 Ss	3
14	08712	(000000-	) Nut, Hex, Lock, M06 X 1.0, NI, Ss	3
15	363152	(000000-	) Actuator, 36vdc, 02.7stroke 500lb	1
16	63147	(000000-	) Pin, Clevis, 0.50 D X 1.87l	2
17	08182	(000000-	) Pin, Cotter, .125 X 1.00	2
18	58494	(000000-	) Stud, Ball, .39d .31-16, Gasspring	2
19	14725	(000000-	) Nut, Retainer, .31-18	2
20	386048	(000000-	) Arm Wldt, Pivot, Side, [7300/8300]	1
21	29584	(000000-	) Pin, Clevis, 0.37 D X 2.00l	1
22	01686	(000000-	) Washer, Flt, .38 Ss	1
23	39005	(000000-	) Pin, Cotter, .094 X 0.75	1
24	364858	(000000-	) Gasspring, 56lb, 6.3strk	1
25	364404	(000000-	) Cable, .13d, 15.5l, .50eye /.50eye	1

Fig. 29 - Max Pro 1000 (Disc-Brush) Right Side Squeegee Group

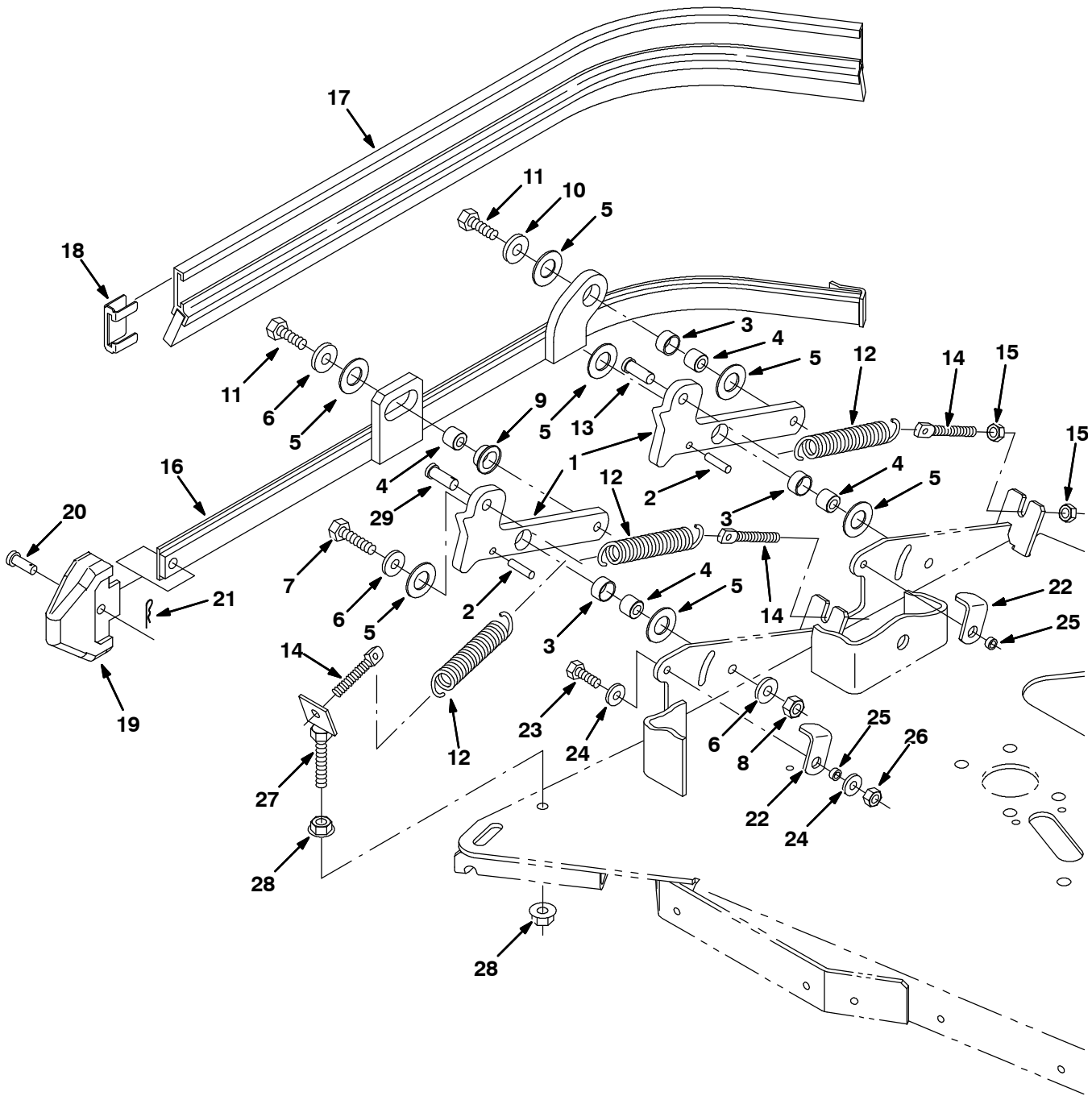


Fig. 29 - Max Pro 1000 (Disc-Brush) Right Side Squeegee Group

Ref.	Tennant Part No.	Machine Serial Number	Description	Qty.
1	386390	(000000-	) Arm, Mtg, Side Sqge Frame, Ele	2
2	17404	(000000-	) Pin, Roll, .250 D X 0.75l, .250/.256	2
3	71607	(000000-	) Bushing, Sleeve, 0.63b 0.72d 0.38l	3
4	386356	(000000-	) Sleeve, P/M, 0.625d 0.335b 0.52l Ss	4
5	64425	(000000-	) Washer, Thrust, 0.61b 1.25d .06, Fgl	7
6	01685	(000000-	) Washer, Flt, .31 Ss	5
7	09023	(000000-	) Screw, Hex, M08 X 1.25 X 35, Ss	2
8	08713	(000000-	) Nut, Hex, Lock, M08 X 1.25, NI, Ss	2
9	25735	(000000-	) Bushing, Flng, 0.63b 0.75d 0.38l	2
10	01686	(000000-	) Washer, Flt, .38 Ss	1
11	12333	(000000-	) Screw, Hex, M08 X 1.25 X 25, Ss, NI	2
12	87816	(000000-	) Spring, Extn, 0.75od X 0.09wir, 2.5l	2
13	76653	(000000-	) Pin, Clevis, 0.37 D X 1.00l	2
14	386088	(000000-	) Bolt, Eye, M8 X 1.25, 2.75l	2
15	07786	(000000-	) Nut, Hex, Std, M08 X 1.25, Ss	4
16	386263	(000000-	) Frame Wldt, Sqge, Side, Rh	1
17	386260	(000000-	) Squeegee, Side	1
18	86759	(000000-	) Retainer, Sqge	1
19	386986	(000000-	) Guide, Point, Side Sqge	1
20	386987	(000000-	) Pin, Clevis, 0.31d 0.88l	1
21	86866	(000000-	) Pin, Hair Cotter, 0.38 D .072 Wir	1
22	386391	(000000-	) Latch, Double Scrub, Side Sqge	2
23	08716	(000000-	) Screw, Hex, M06 X 1.0 X 20, Ss	2
24	01684	(000000-	) Washer, Flt, .25 Ss	4
25	80491	(000000-	) Sleeve	2
26	08712	(000000-	) Nut, Hex, Lock, M06 X 1.0, NI, Ss	2
27	1007632	(000000-	) Bracket Wldt, Mtg, Spring	1
28	27980	(000000-	) Nut, Hex, Flng, .38-16	2
29	29558	(000000-	) Pin, Clevis, 0.37 D X 1.50l	1

# STANDARD PARTS

Fig. 30 - Max Pro 1000 (Disc-Brush) Left Side Squeegee Group

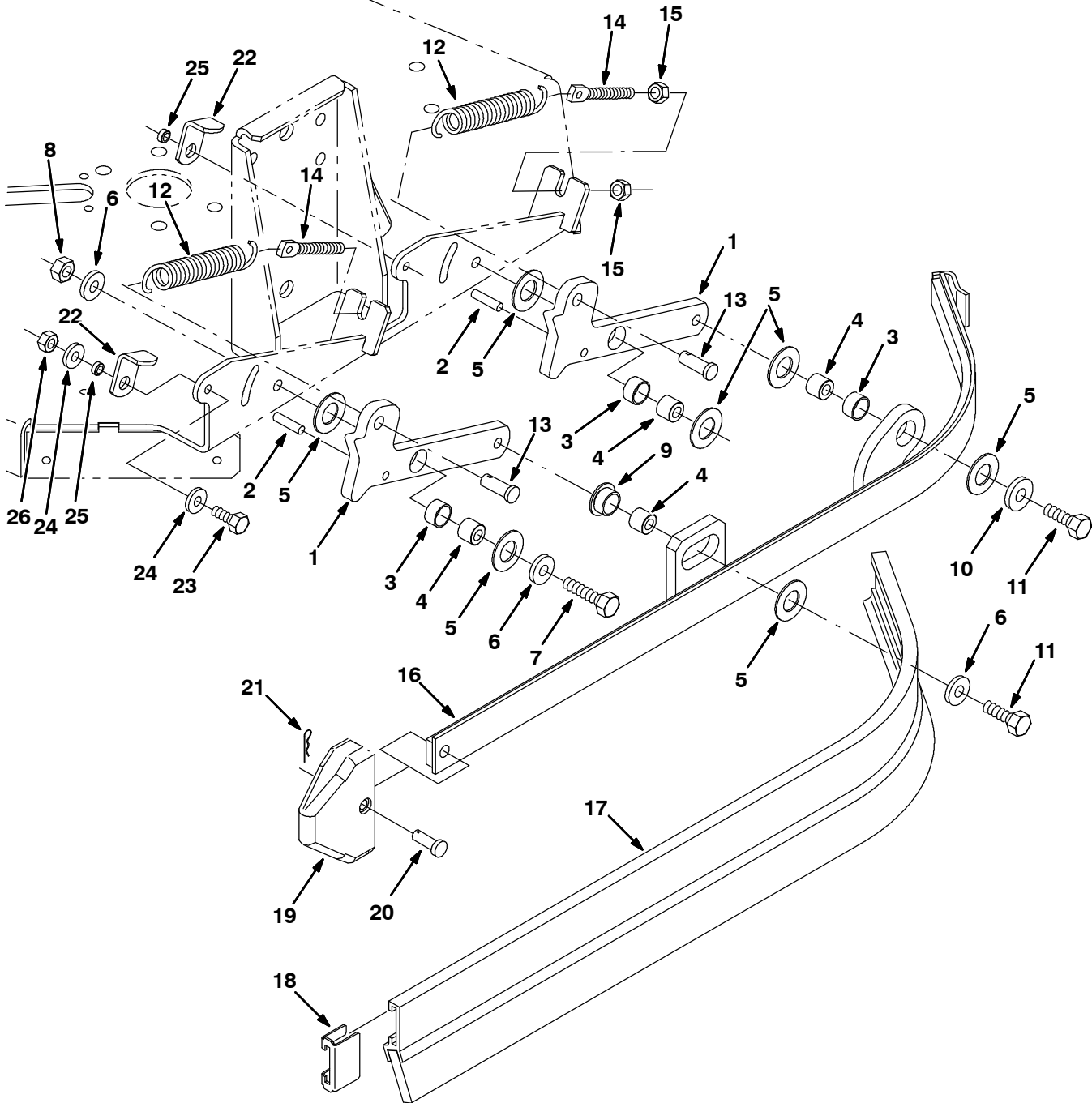


Fig. 30 - Max Pro 1000 (Disc-Brush) Left Side Squeegee Group

Ref.	Tennant Part No.	Machine Serial Number	Description	Qty.
1	386390	(000000-	) Arm, Mtg, Side Sqge Frame, Ele	2
2	17404	(000000-	) Pin, Roll, .250 D X 0.75l, .250/.256	2
3	71607	(000000-	) Bushing, Sleeve, 0.63b 0.72d 0.38l	3
4	386356	(000000-	) Sleeve, P/M, 0.625d 0.335b 0.52l Ss	4
5	64425	(000000-	) Washer, Thrust, 0.61b 1.25d .06, Fgl	7
6	01685	(000000-	) Washer, Flt, .31 Ss	5
7	09023	(000000-	) Screw, Hex, M08 X 1.25 X 35, Ss	2
8	08713	(000000-	) Nut, Hex, Lock, M08 X 1.25, NI, Ss	2
9	25735	(000000-	) Bushing, Flng, 0.63b 0.75d 0.38l	1
10	01686	(000000-	) Washer, Flt, .38 Ss	2
11	12333	(000000-	) Screw, Hex, M08 X 1.25 X 25, Ss, NI	2
12	87816	(000000-	) Spring, Extn, 0.75od X 0.09wir, 2.5l	2
13	76653	(000000-	) Pin, Clevis, 0.37 D X 1.00l	2
14	386088	(000000-	) Bolt, Eye, M8 X 1.25, 2.75l	2
15	07786	(000000-	) Nut, Hex, Std, M08 X 1.25, Ss	4
16	386262	(000000-	) Frame Wldt, Sqge, Side, Lh	1
17	386260	(000000-	) Squeegee, Side	1
18	86759	(000000-	) Retainer, Sqge	1
19	386986	(000000-	) Guide, Point, Side Sqge	1
20	386987	(000000-	) Pin, Clevis, 0.31d 0.88l	1
21	86866	(000000-	) Pin, Hair Cotter, 0.38 D .072 Wir	1
22	386391	(000000-	) Latch, Double Scrub, Side Sqge	2
23	08716	(000000-	) Screw, Hex, M06 X 1.0 X 20, Ss	2
24	01684	(000000-	) Washer, Flt, .25 Ss	4
25	80491	(000000-	) Sleeve	2
26	08712	(000000-	) Nut, Hex, Lock, M06 X 1.0, NI, Ss	2

**Fig. 31 - Squeegee Linkage Group, Rear**

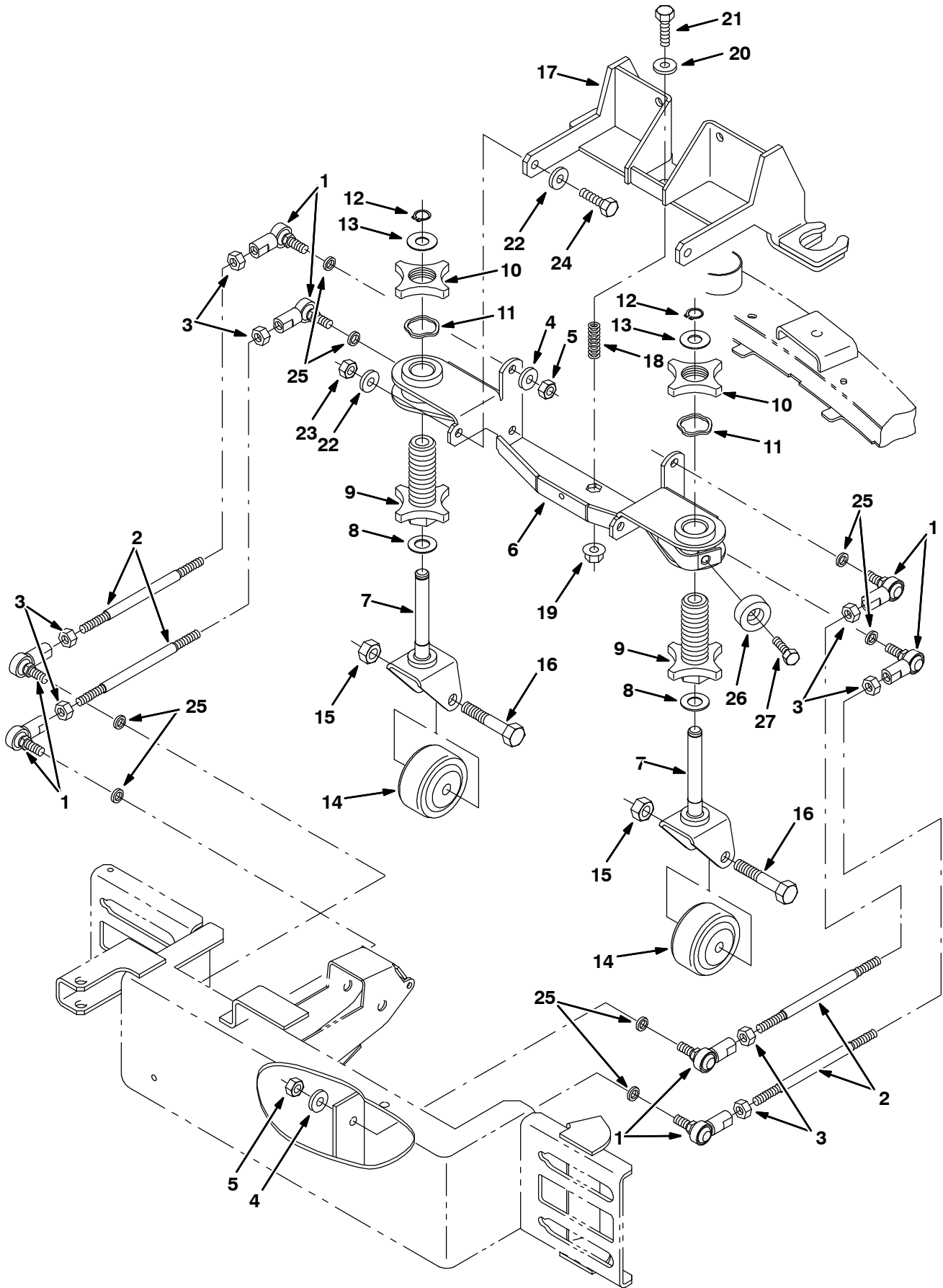


Fig. 31 - Squeegee Linkage Group, Rear

Ref.	Tennant Part No.	Machine Serial Number	Description	Qty.	
1	05686	(000000-	) Rod-End, M10 X 1.5rh Fem M10 X 1.5stud	8	
2	14555	(000000-	) Rod, Thrd, 2 End M10x1.5 07.4	4	
3	32716	(000000-	) Nut, Hex, Jam, M10 X 1.5, Ss	8	
4	01686	(000000-	) Washer, Flt, .38 Ss	8	
5	08714	(000000-	) Nut, Hex, Lock, M10 X 1.5, NI, Ss	8	
6	386256	(000000-	) Channel Wldt	1	
▽	78979	(000000-	) Caster Kit, Sqge, Replmt	2	
▲	7	84593	(000000-	) Pivot Wldt, Sqge Caster	1
▲	8	07450	(000000-	) Bearing, Thrust, 0.66b 1.25d 0.06w	1
▲	9	77228	(000000-	) Knob, Adj	1
▲	10	77227	(000000-	) Knob	1
▲	11	79217	(000000-	) Washer	1
▲	12	01516	(000000-	) Ring, Retaining, Ext, 0.59d, Basic	1
▲	13	77272	(000000-	) Washer, 0.60b 1.31d .10, Ss	1
▲	14	20833	(000000-	) Wheel, 3.0d 1.38w 0.50b	1
▲	15	02931	(000000-	) Nut, Hex, Lock, .50-13, NI, Ss	1
▲	16	81952	(000000-	) Screw, Hex, .50-13 X 3.00, Ss	1
	17	386252	(000000-	) Bracket Wldt, Pivot	1
	18	16816	(000000-	) Spring, Die, 1.00od 0.50id 2.00l	1
	19	07792	(000000-	) Nut, Hex, Flng, M10 X 1.5	1
	20	01686	(000000-	) Washer, Flt, .38 Ss	1
	21	04417	(000000-	) Screw, Hex, M10 X 1.5 X 60, Ss	1
	22	01686	(000000-	) Washer, Flt, .38 Ss	4
	23	08714	(000000-	) Nut, Hex, Lock, M10 X 1.5, NI, Ss	2
	24	12317	(000000-	) Screw, Hex, M10 X 1.5 X 30, Ss	2
	25	390880	(000000-	) Spacer, .41b .63d .13l, Ss 430pm	8
	26	364614	(000000-	) Bumper, Neo, 1.5d .63t .31h	1
	27	09010	(000000-	) Screw, Hex, M08 X 1.25 X 25, Ss	1

**Fig. 32 - Squeegee Lift Group, Rear**

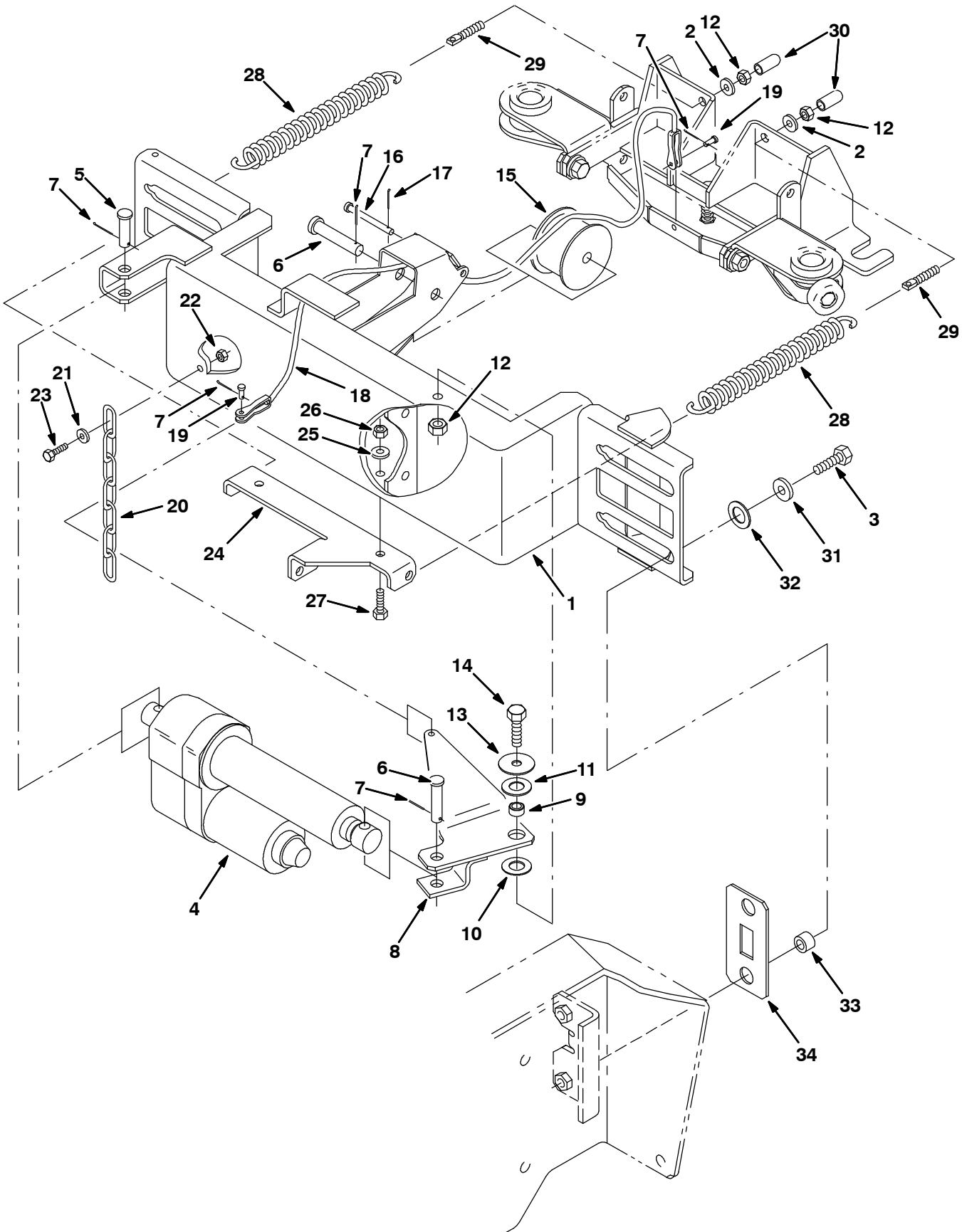




Fig. 32 - Squeegee Lift Group, Rear

Ref.	Tennant Part No.	Machine Serial Number	Description	Qty.
1	387426	(000000-	) Support Wldt	1
2	01686	(000000-	) Washer, Flt, .38 Ss	2
3	12317	(000000-	) Screw, Hex, M10 X 1.5 X 30, Ss	4
4	363151	(000000-	) Actuator, 36vdc, 02.1stroke 500lb	1
5	51534	(000000-	) Pin, Clevis, 0.50 D X 2.00l	1
6	06279	(000000-	) Pin, Clevis, 0.50 D X 2.50l	2
7	39005	(000000-	) Pin, Cotter, .094 X 0.75	5
8	386279	(000000-	) Arm Wldt	1
9	71658	(000000-	) Sleeve	1
10	64425	(000000-	) Washer, Thrust, 0.61b 1.25d .06, Fgl	1
11	07450	(000000-	) Bearing, Thrust, 0.66b 1.25d 0.06w	1
12	08714	(000000-	) Nut, Hex, Lock, M10 X 1.5, NI, Ss	3
13	33948	(000000-	) Washer, Flat	1
14	04417	(000000-	) Screw, Hex, M10 X 1.5 X 60, Ss	1
15	223054	(000000-	) Drum, Cable, Lift	1
16	04733-10	(000000-	) Pin, Clevis, 0.25 D X 2.44l	1
17	08178	(000000-	) Pin, Cotter, .062 X 0.75	1
18	71101	(000000-	) Cable, .12d, 13.3l, .2clevis/.2clevis	1
19	77488	(000000-	) Pin, Clevis, 0.19 D X 0.63l	2
20	43500	(000000-	) Chain, Coil, Str, #210, 09.0l 07 Link	1
21	01684	(000000-	) Washer, Flt, .25 Ss	1
22	08712	(000000-	) Nut, Hex, Lock, M06 X 1.0, NI, Ss	1
23	08716	(000000-	) Screw, Hex, M06 X 1.0 X 20, Ss	1
24	387432	(000000-	) Channel, Spring	1
25	01685	(000000-	) Washer, Flt, .31 Ss	2
26	08713	(000000-	) Nut, Hex, Lock, M08 X 1.25,NI, Ss	2
27	09010	(000000-	) Screw, Hex, M08 X 1.25 X 25, Ss	2
28	71100	(000000-	) Spring, Extn, 1.69od X 0.20wir, 9.5l	2
29	386847	(000000-	) Bolt, Eye, M10x1.5 X 2.0 X .28 Eye	2
30	20806	(000000-	) Cap, Neoprene Black	2
31	32492	(000000-	) Washer, Flat, .38 Std	4
32	53782	(000000-	) Bearing, Thrust, 0.75b 1.25d 0.06w	4
33	387429	(000000-	) Sleeve, P/M, 0.745d 0.438b 0.50l 430ss	4
34	387430	(000000-	) Plate, Slide	2

Fig. 33 - Max Pro 1000 Rear Squeegee Group

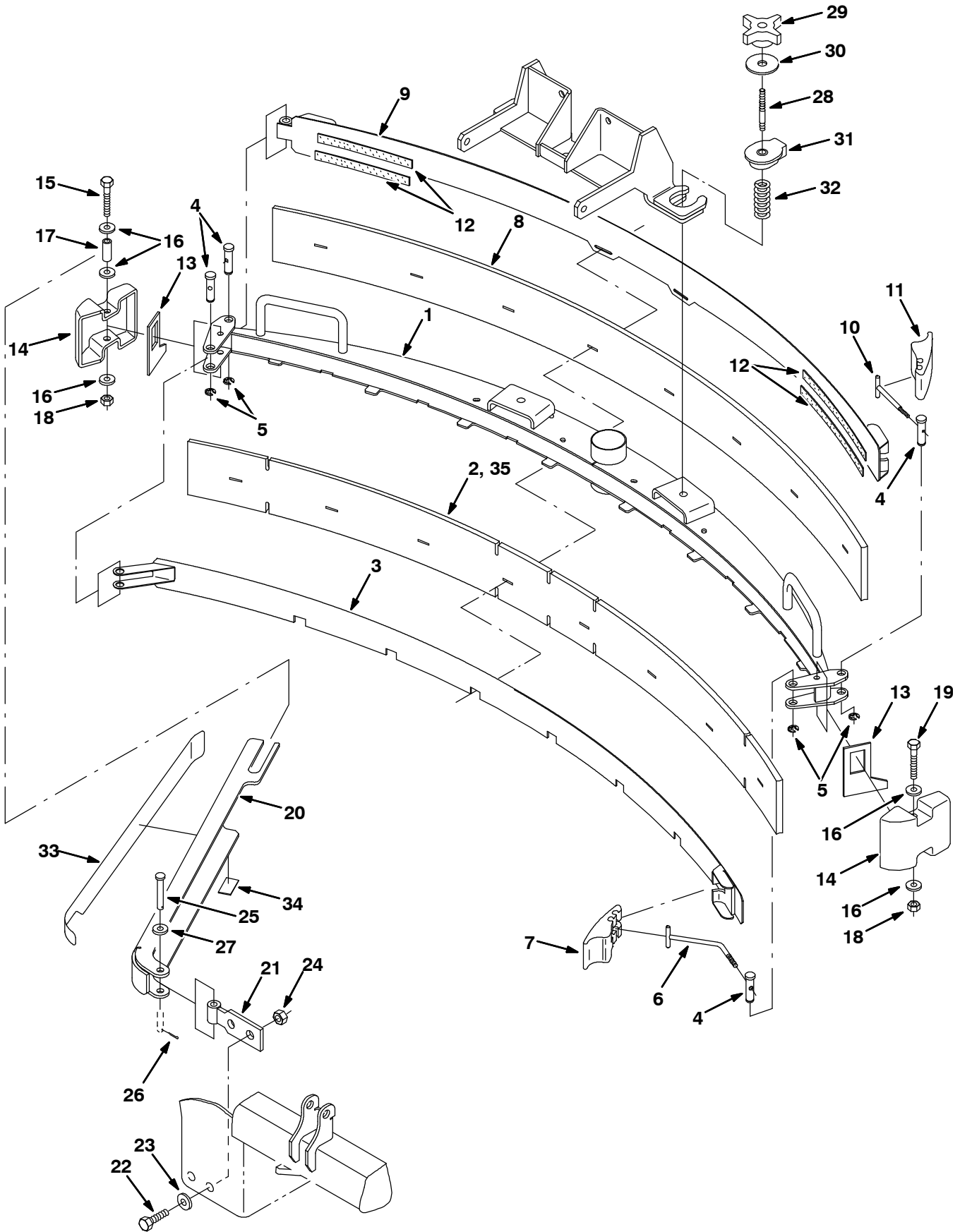


Fig. 33 - Max Pro 1000 Rear Squeegee Group

Ref.	Tennant Part No.	Machine Serial Number	Description	Qty.
▽	386860	(000000-	) Kit, Cl, Squeegee, Rear (Max Pro™ 1000)	1
▲	1 386290	(000000-	) Frame Wldt, Sqge	1
▲	2 386283	(000000-	) Blade, Sqge, Front	1
▲	3 386285	(000000-	) Clamp Wldt, Front	1
▲	4 21603	(000000-	) Pin	4
▲	5 24555	(000000-	) Ring, Retaining, Ext	4
▲	6 386298	(000000-	) Pin Wldt, Front	1
▲	7 21601	(000000-	) Cam	1
▲	8 386284	(000000-	) Blade, Sqge, Rear	1
▲	9 386286	(000000-	) Clamp Wldt, Rear	1
▲	10 21606	(000000-	) Bar Wldt, Retainer, Sqge, Rear	1
▲	11 21602	(000000-	) Cam, Rear	1
▲	12 03495	(000000-	) Strip, Nonslip	4
▲	13 83874	(000000-	) Gasket, Sqge	2
▲	14 386264	(000000-	) Bumper, Sqge	2
▲	15 386299	(000000-	) Screw, Hex, M08 X 1.25 X 100, Ss	1
▲	16 01685	(000000-	) Washer, Flt, .31 Ss	5
▲	17 222497	(000000-	) Sleeve	1
▲	18 08713	(000000-	) Nut, Hex, Lock, M08 X 1.25,NI, Ss	2
▲	19 09767	(000000-	) Screw, Hex, M08 X 1.25 X 70, Ss	1
▲	20 386266	(000000-	) Channel Wldt	1
▲	21 386234	(000000-	) Pivot Wldt, Guard	1
▲	22 12309	(000000-	) Screw, Hex, M12 X 1.75 X 30, Ss	2
▲	23 41619	(000000-	) Washer, Flt, .50 Ss	2
▲	24 09741	(000000-	) Nut, Hex, Lock, M12 X 1.75,NI, Ss	2
▲	25 1039190	(000000-	) Pin, Clevis, 0.25d X 2.00l	1
▲	26 08178	(000000-	) Pin, Cotter, .062 X 0.75	1
▲	27 01684	(000000-	) Washer, Flt, .25 Ss	2
▲	28 387237	(000000-	) Stud, .31-18 2.75l M8 X 1.25, Ss	2
▲	29 370100	(000000-	) Knob, 4-Prong W/.31-18, Insert	2
▲	30 04414	(000000-	) Washer, 0.53b 1.88d .12, Stl, Pl	2
▲	31 387433	(000000-	) Ring, Mtg, Sqge, .50l	2
▲	32 387500	(000000-	) Spring, Cmpr, .87od .042wir 2.0l	2
▲	33 387448	(000000-	) Bumper, Poly-E	1
▲	34 387438	(000000-	) Bumper, Poly-E	1
▲	35 387257	(000000-	) Blade, Sqge, Front, Mp1000, Tile	1

Fig. 34 - Sweeper Main Brush Doors Group

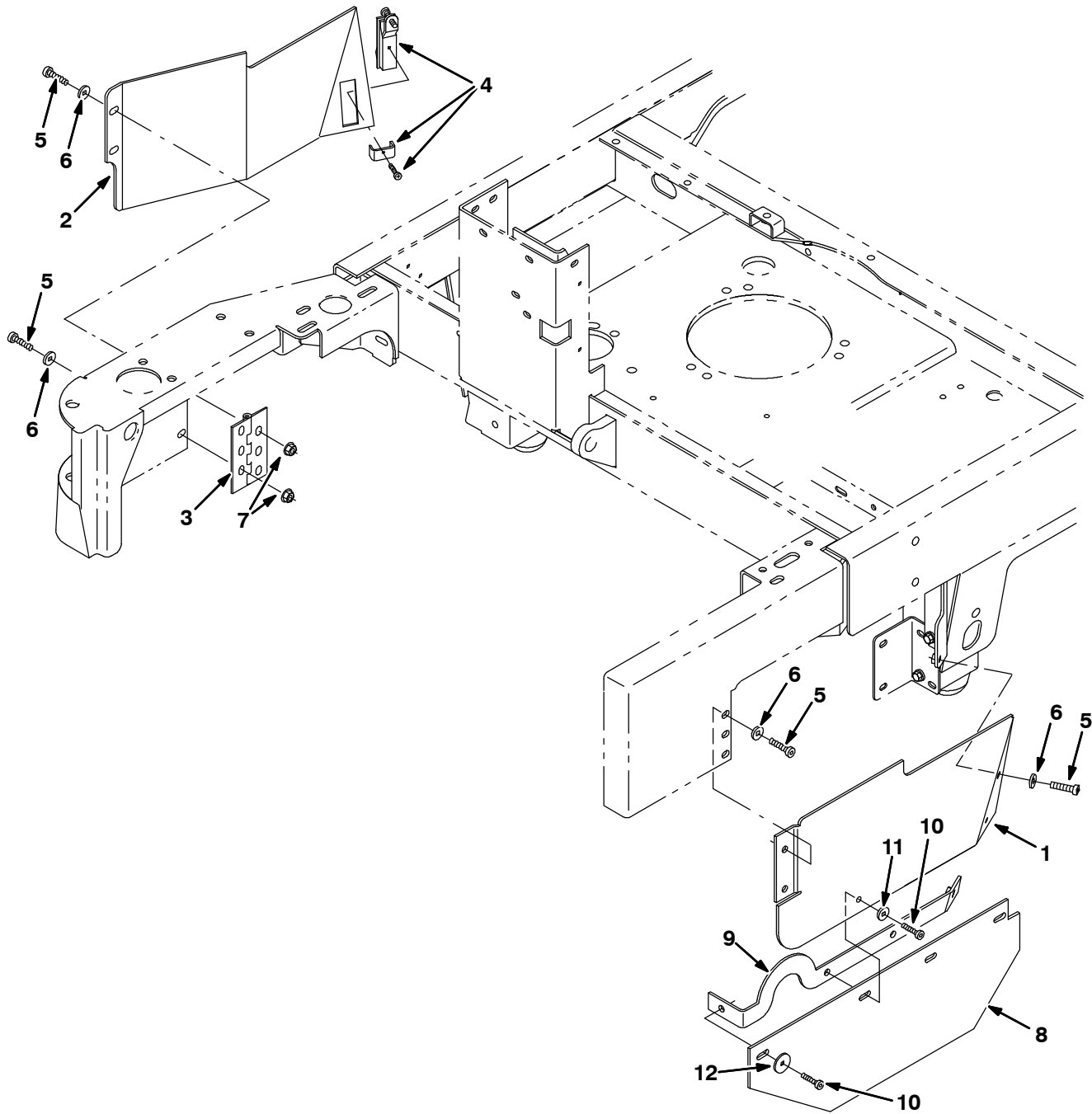


Fig. 34 - Sweeper Main Brush Doors Group

Ref.	Tennant Part No.	Machine Serial Number	Description	Qty.
1	387090	(000000-	) Door, Brush, Lh	1
2	387084	(000000-	) Door, Brush, Rh	1
3	363856	(000000-	) Hinge, .25pin .25 3.0w 05.0l 6/0.44h	1
4	64533	(000000-	) Latch, Trigger	1
5	76570	(000000-	) Screw, Hex, M08 X 1.25 X 30, 8.8	8
6	32491	(000000-	) Washer, Flt, .31 Std	8
7	08709	(000000-	) Nut, Hex, Lock, M08 X 1.25,NI	7
8	387468	(000000-	) Skirt	1
9	387476	(000000-	) Strip	1
10	223470	(000000-	) Screw, Btn, M08 X 1.25 X 25, Ss	4
11	39349	(000000-	) Washer, Flt, .31 Sae	3
12	30013	(000000-	) Washer, Flat, .31 Fender	1

Fig. 35 - Sweeper Side Brush Motor and Pivot Group

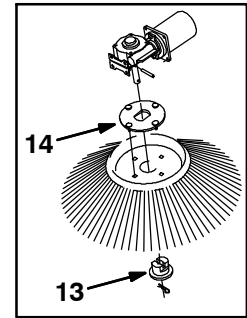
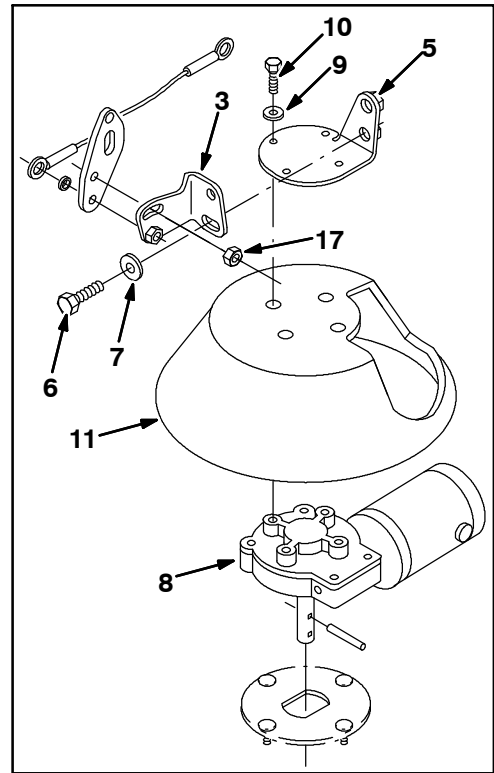
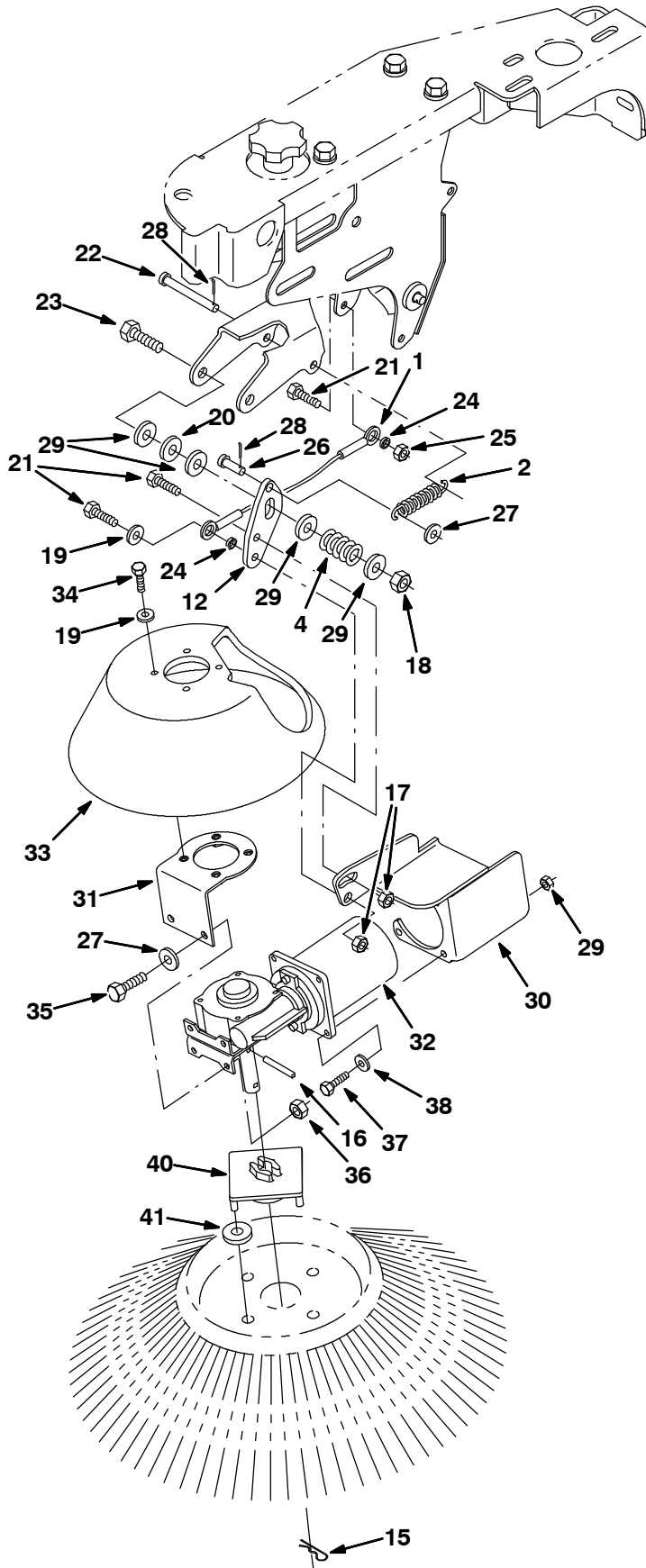


Fig. 35 - Sweeper Side Brush Motor and Pivot Group

Ref.	Tennant Part No.	Machine Serial Number	Description	Qty.	
1	87172	(000000-	) Cable, .13d, 10.0l, .51eye /.51eye	1	
2	09480	(000000-	) Spring, Extn, 1.10od X 0.15wir, 3.2l	1	
3	386661	(000000-003545	) Bracket, Motor, Mtg	2	
4	360357	(000000-	) Spring, Die, 1.00od 0.50id 1.25l	2	
5	386910	(000000-003545	) Bracket, Motor, Mtg	1	
6	09770	(000000-003545	) Screw, Hex, M10 X 1.5 X 25, Ss, N	2	
7	01686	(000000-003545	) Washer, Flat, .38 Ss	2	
▽	8	81751	(000000-003545	) Motor Ele, 36Vdc, Rh Rep By 1008274	1
▲		81919	(000000-003545	) Kit, Brush, Motor, Ele	1
▲		80127	(000000-003545	) Cap, Brush, Motor, Ele	2
▲		369795	(000000-003545	) Brushholder, Motor, Ele	2
▲		369796	(000000-003545	) Clip, Motor, Ele	2
	9	01684	(000000-003545	) Washer, Flt, .25 Ss	4
	10	15678	(000000-003545	) Screw, Hex, M06 X 1.0 X 16, Ss	4
	11	386666	(000000-003545	) Guard, Brush, Side	1
12	386905	(000000-	) Plate	1	
13	386664	(000000-004071	) Adapter, Brush	1	
14	386663	(000000-004071	) Plate, Adapter, Brush	1	
15	02942	(000000-	) Pin, Hair Cotter, 0.69 D .092 Wir	1	
16	11398	(000000-	) Pin, Roll, .250 D X 2.00l, .250/.256	1	
17	07791	(000000-	) Nut, Hex, Flng, M08 X 1.25	2	
18	08711	(000000-	) Nut, Hex, Lock, M12 X 1.75, NI	1	
19	32491	(000000-	) Washer, Flt, .31 Std	5	
20	86860	(000000-	) Bearing, Thrust	1	
21	39277	(000000-	) Screw, Hex, M08 X 1.25 X 25, 8.8	3	
22	57598	(000000-	) Pin, Clevis, 0.37 D X 3.25l	1	
23	06974	(000000-	) Screw, Hex, M12 X 1.75 X 80, 8.8	1	
24	360801	(000000-	) Sleeve	2	
25	08709	(000000-	) Nut, Hex, Lock, M08 X 1.25, NI	1	
26	04733-2	(000000-	) Pin, Clevis, 0.37 D X 0.62l	1	
27	01685	(000000-	) Washer, Flt, .31 Ss	3	
28	39005	(000000-	) Pin, Cotter, .094 X 0.75	2	
29	32486	(000000-	) Washer, Flt, .50 Sae	4	
30	1006472	(003546-	) Bracket Wldt, Mtg, Motor, [8300]	1	
31	1005457	(003546-	) Bracket Wldt, Mtg, Guard, Side Brush	1	
32	1005523	(003546-	) Motor, Gear, 36vdc, 120w, 75rpm	1	
33	1005404	(003546-	) Guard, Side Brush	1	
34	11329	(003546-	) Screw, Hex, M6 X 1.00 X 16, NI, Ss	4	
35	09740	(003546-	) Screw, Hex, M 8 X 1.25 X 20, Ss	2	
36	07786	(003546-	) Nut, Hex, Std, M08 X 1.25, Ss	2	
37	08716	(003546-	) Screw, Hex, M 6 X 1.0 X 20, Ss	4	
38	01684	(003546-	) Washer, Flat, 0.25 Ss	4	
39	08708	(003546-	) Nut, Hex, Lock, M 6 X 1.0, NI	3	
40	1017441	(004072-	) Plate, Adapter, Brush	1	
41	1017802	(004072-	) Washer, .625 B, 2.50 Od, .211 T, Ss	4	

Fig. 36 - Sweeper Side Brush Lift Group

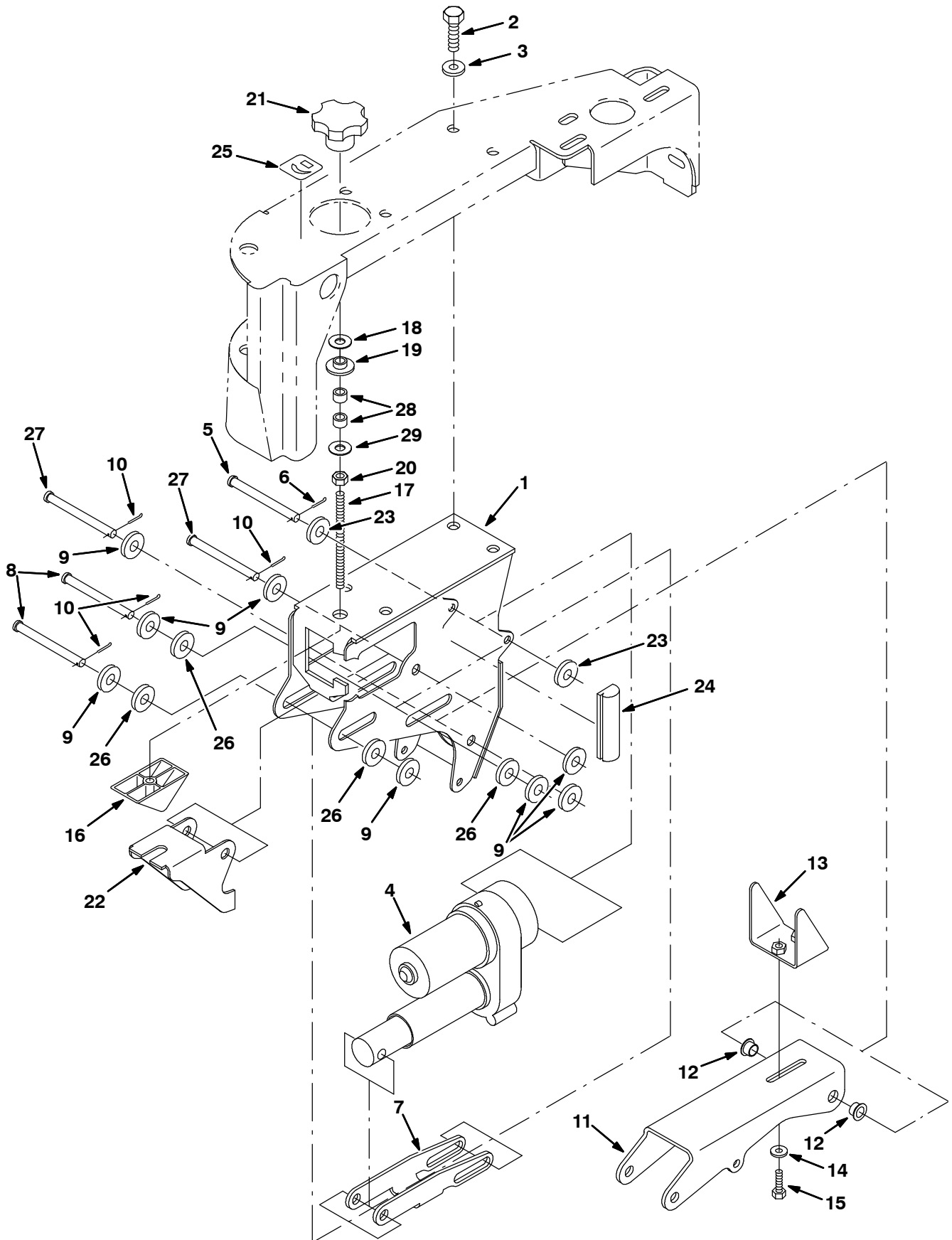
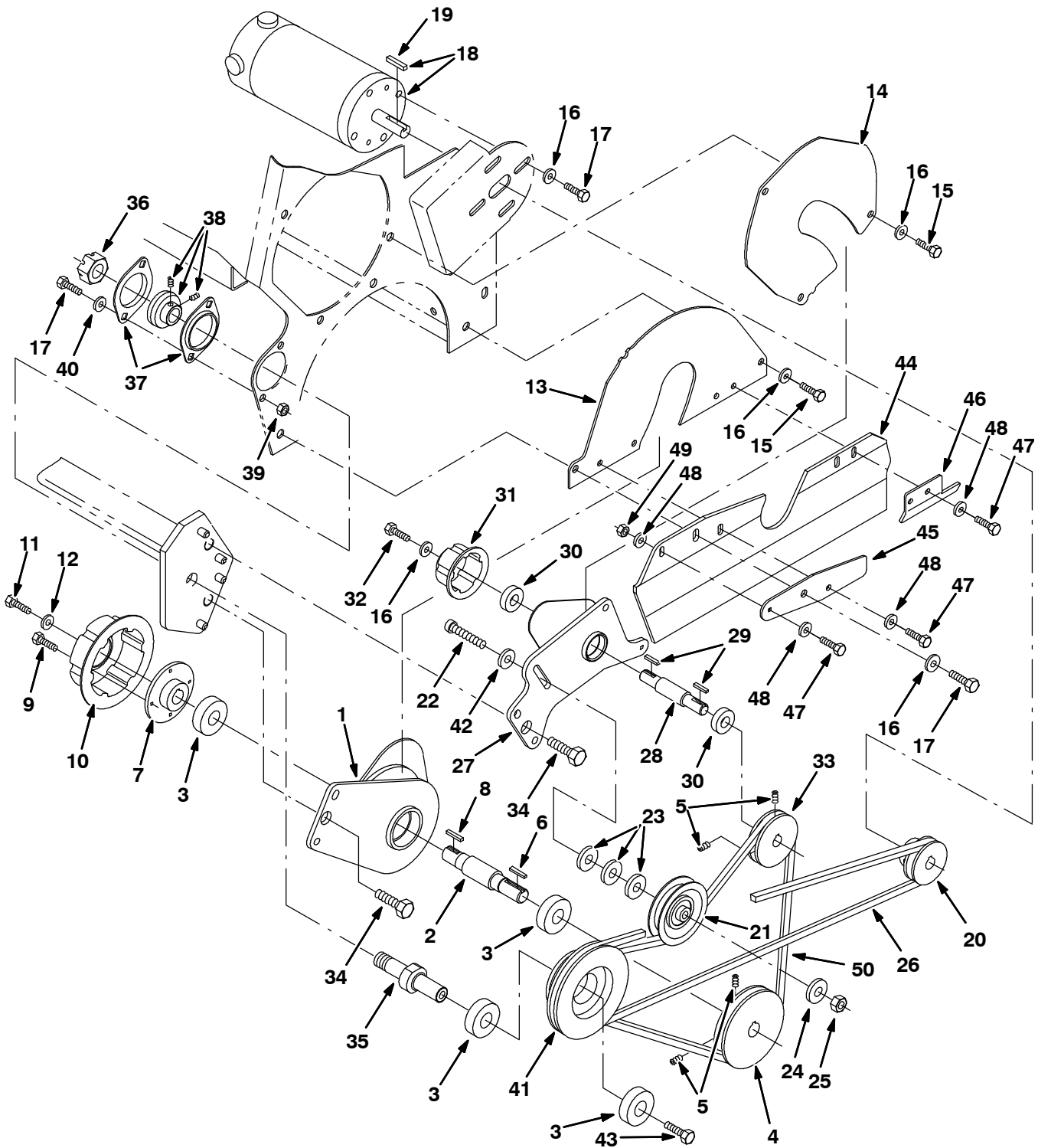




Fig. 36 - Sweeper Side Brush Lift Group

Ref.	Tennant Part No.	Machine Serial Number	Description	Qty.
1	386656	(000000-	) Housing Wldt, Brush, Side	1
2	09291	(000000-	) Screw, Hex, M10 X 1.5 X 20, Ss	4
3	32492	(000000-	) Washer, Flt, .38 Std	4
4	222539	(000000-	) Actuator, 36vdc, 01.8stroke 300lb	1
5	49914	(000000-	) Pin, Clevis, 0.37 D X 4.00l	1
6	39005	(000000-	) Pin, Cotter, .125 X 1.00	1
7	386657	(000000-	) Bracket	1
8	51528	(000000-	) Pin, Clevis, 0.50 D X 4.00l	2
9	32486	(000000-	) Washer, Flt, .50 Std	8
10	08182	(000000-	) Pin, Cotter, .125 X 1.00	4
11	386659	(000000-	) Channel	1
12	15648	(000000-	) Bushing, Flng, 0.50b 0.59d 0.38l	2
13	386660	(000000-	) Bracket	1
14	32491	(000000-	) Washer, Flt, .31 Std	2
15	16931	(000000-	) Screw, Hex, M08 X 1.25 X 20, 8.8	2
16	386658	(000000-	) Block, Adj	1
17	387151	(000000-	) Shaft, Threaded	1
18	64489	(000000-	) Washer, 0.81b 1.24d .03, Stl, Pl	1
19	363087	(000000-	) Spacer, Flanged	1
20	25014	(000000-	) Nut, Hex, Std, M10 X 1.25	1
21	41341	(000000-	) Knob, Plastic	1
22	386909	(000000-	) Bracket, Pivot	1
23	32485	(000000-	) Washer, Flt, .38 Sae	2
24	86333	(000000-	) Duct, Vinyl 3.5l	1
25	387405	(000000-	) Label, Brush, Side, Adj	1
26	07450	(000000-	) Bearing, Thrust, 0.66b 1.25d 0.06w	4
27	222196	(000000-	) Pin, Clevis, 0.50 D X 4.00l	2
28	390879	(000000-	) Sleeve, P/M 0.625D 0.406B 0.38L 430Ss	2
29	32492	(000000-	) Washer, Flat, 0.38 Std	1

**Fig. 37 - Sweeper Main Brush Drive Group**



353424 - 8300

Ref.	Tennant Part No.	Machine Serial Number	Description	Qty.
1	387113	(000000- )	Arm Wldt, Brush	1
2	386360	(000000- )	Shaft	1
3	46390AM	(000000- )	Bearing, Ball, 0.79b 1.85d 0.55w	4
4	386355	(000000- )	Sheave	1
5	09162	(000000- )	Screw, Set, M06 X 1.0 X 8, NI	4

Fig. 37 - Sweeper Main Brush Drive Group

Ref.	Tennant Part No.	Machine Serial Number	Description	Qty.
6	00912	(000000-	) Key, Sq, 0.19 X 0.19, 01.00l	2
7	386062	(000000-	) Collar Wldt	1
8	00911	(000000-	) Key, Sq, 0.19 X 0.19, 00.75l	1
9	12312	(000000-	) Screw, Hex, M05 X 0.8 X 12, 8.8	4
10	386067	(000000-	) Plug, Drive, Brush, Splined	1
11	06943	(000000-	) Screw, Hex, M06 X 1.0 X 20, 8.8	1
12	32490	(000000-	) Washer, Flt, .25 Std	1
13	386897	(000000-	) Door, Brush	1
14	386891	(000000-	) Door, Brush	1
15	50388	(000000-	) Screw, Hex, M08 X 1.25 X 12, 8.8	4
16	32491	(000000-	) Washer, Flt, .31 Std	10
17	16931	(000000-	) Screw, Hex, M08 X 1.25 X 20, 8.8	7
▽ 18	383709	(000000-	) Motor, Ele, 36vdc 0.9hp 1800rpm (See Breakdown)	1
▲ 19	00912	(000000-	) Key, Sq, 0.19 X 0.19, 01.00l	1
20	386353	(000000-	) Sheave	1
21	81710	(000000-	) Sheave, Flat, 2.6d 0.62w, 0.38b	1
22	19577	(000000-	) Bolt, Carriage, .38-16 X 2.00	1
23	32492	(000000-	) Washer, Flt, .38 Std	3
24	32485	(000000-	) Washer, Flt, .38 Sae	1
25	36643	(000000-	) Nut, Hex, Lock, .38-16, NI, Thin	1
26	58327	(000000-	) Belt, V, [Hc41] 41.0l	2
27	387119	(000000-	) Arm Wldt, Brush	1
28	386361	(000000-	) Shaft	1
29	00910	(000000-	) Key, Sq, 0.19 X 0.19, 00.62l	2
30	41360	(000000-	) Bearing, Ball, 0.59b 1.26d 0.35w	2
31	378805	(000000-	) Plug, Drive, Brush, Mach	1
32	11329	(000000-	) Screw, Hex, M06 X 1.0 X 16, Ss, NI	1
33	386354	(000000-	) Sheave	1
34	06977	(000000-	) Screw, Hex, M16 X 2.0 X 20, 8.8	2
35	386359	(000000-	) Pivot	1
36	39527	(000000-	) Nut, Hex, Sltd, .75-16	1
37	35973	(000000-	) Flange, Brg, 1.9id 2h	2
38	25887	(000000-	) Bearing, W/ Collar, 0.75b 1.85d 1.06w	1
39	08709	(000000-	) Nut, Hex, Lock, M08 X 1.25,NI	2
40	39349	(000000-	) Washer, Flt, .31 Sae	2
41	386352	(000000-	) Sheave	1
42	32486	(000000-	) Washer, Flt, .50 Sae	1
43	12273	(000000-	) Screw, Hex, M08 X 1.25 X 20, Ss, NI	1
44	387059	(000000-	) Skirt, Lh	1
45	387320	(000000-	) Retainer, Front	1
46	387403	(000000-	) Retainer	1
47	15678	(000000-	) Screw, Hex, M06 X 1.0 X 16, Ss	4
48	32483	(000000-	) Washer, Flt, .25 Sae	5
49	08712	(000000-	) Nut, Hex, Lock, M06 X 1.0, NI, Ss	1
50	387153	(000000-	) Belt, V	1

**Fig. 38 - Sweeper Main Brush Idler Group**

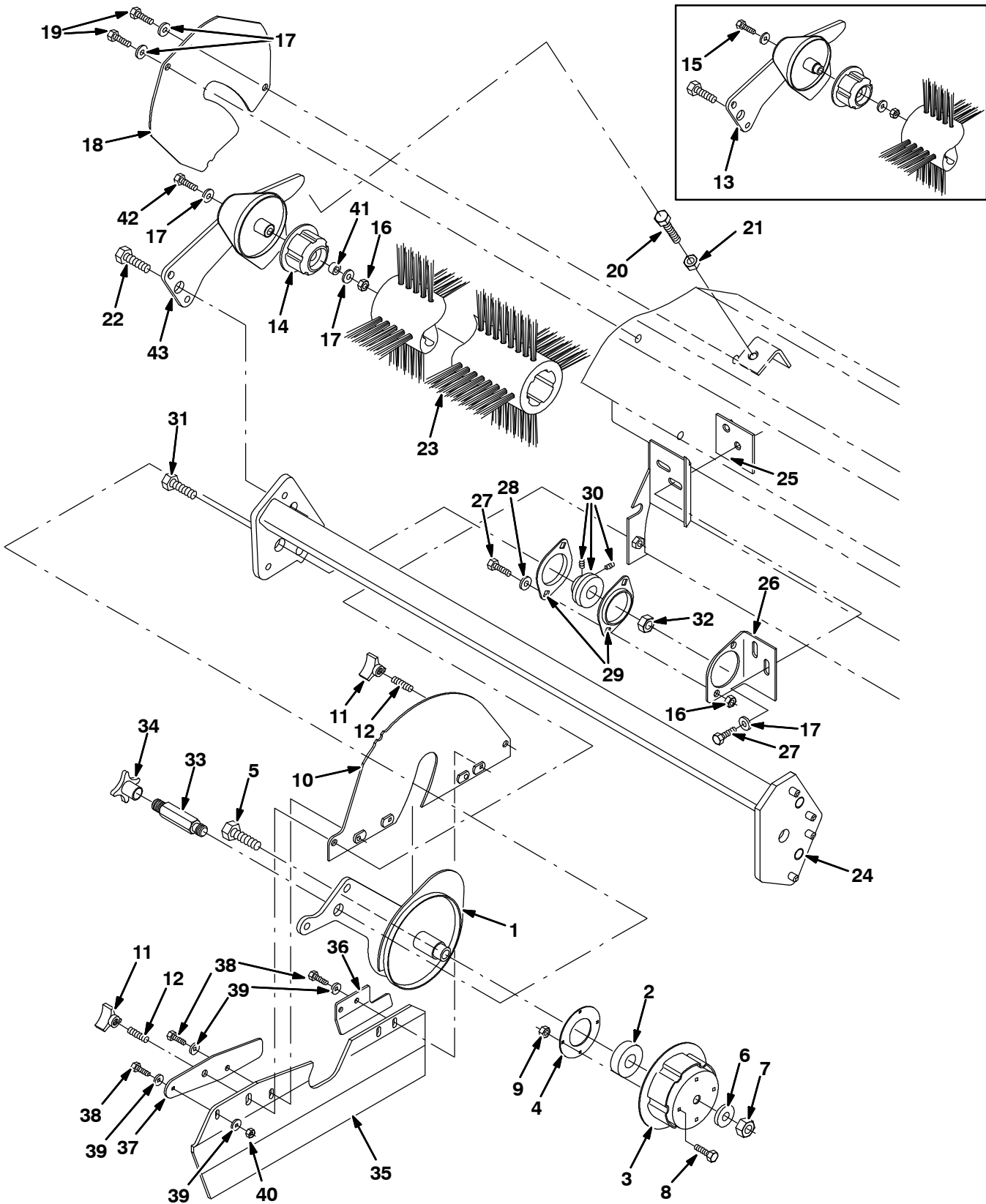


Fig. 38 - Sweeper Main Brush Idler Group

Ref.	Tennant Part No.	Machine Serial Number	Description	Qty.
1	387470	(000000-	) Arm Wldt, Brush	1
2	46390AM	(000000-	) Bearing, Ball, 0.79b 1.85d 0.55w	1
3	81818	(000000-	) Plug, Drive, Brush, Splined	1
4	35836	(000000-	) Retainer, Bearing	1
5	12138	(000000-	) Screw, Hex, M12 X 1.75 X 120, 8.8	1
6	32486	(000000-	) Washer, Flt, .50 Sae	1
7	09741	(000000-	) Nut, Hex, Lock, M12 X 1.75, NI, Ss	1
8	12312	(000000-	) Screw, Hex, M05 X 0.8 X 12, 8.8	4
9	06549	(000000-	) Nut, Hex, Lock, M05 X 0.8, NI	4
10	386900	(000000-	) Plate, Door, Brush	1
11	222470	(000000-	) Knob	2
12	30324	(000000-	) Rod, Thrd, 2 End M08x1.25 01.2	2
13	387120	(000000-003348	) Arm Wldt, Brush (Replaced by 374186)	1
14	379202	(000000-	) Plug, Idler, Brush	1
15	76570	(000000-003348	) Screw, Hex, M08 X 1.25 X 30, 8.8	1
16	08709	(000000-	) Nut, Hex, Lock, M08 X 1.25, NI	1
17	32491	(000000-	) Washer, Flt, .31 Std	16
18	386894	(000000-	) Door, Brush	1
19	50388	(000000-	) Screw, Hex, M08 X 1.25 X 12, 8.8	2
20	09746	(000000-	) Screw, Hex, M10 X 1.5 X 90, Ss	1
21	07787	(000000-	) Nut, Hex, Std, M10 X 1.5, Ss	1
22	06977	(000000-	) Screw, Hex, M16 X 2.0 X 20, 8.8	1
23	385938	(000000-	) Conveyor, Cyl, 35L, 4Sr, Pp	1
24	386890	(000000-	) Tube Wldt, Brush	1
25	386428	(000000-	) Bracket, Bearing	1
26	386426	(000000-	) Bracket, Bearing, Mtg	1
27	16931	(000000-	) Screw, Hex, M08 X 1.25 X 20, 8.8	5
28	39349	(000000-	) Washer, Flt, .31 Sae	2
29	35973	(000000-	) Flange, Brg, 1.9id 2h	2
30	25887	(000000-	) Bearing, W/ Collar, 0.75b 1.85d 1.06w	1
31	39284	(000000-	) Screw, Hex, M10 X 1.5 X 35, 8.8	1
32	39312	(000000-	) Nut, Hex, Std, M10 X 1.5	1
33	387152	(000000-	) Shaft, Threaded	1
34	77605	(000000-	) Knob, Plastic	1
35	387055	(000000-	) Skirt, Rh	1
36	387402	(000000-	) Retainer	1
37	387320	(000000-	) Retainer, Front	1
38	15678	(000000-	) Screw, Hex, M06 X 1.0 X 16, Ss	4
39	41178	(000000-	) Washer, Flat, .25 Fender	5
40	08712	(000000-	) Nut, Hex, Lock, M06 X 1.0, NI, Ss	1
41	374185	(003349-	) Sleeve, .318B .589D .325Ss	1
42	39281	(003349-	) Screw, Hex, M08X1.25X90, 8.8	1
43	374183	(003349-	) Arm Wldt, Brush, Idler	1

Fig. 39 - Sweeper Main Brush Lift Group

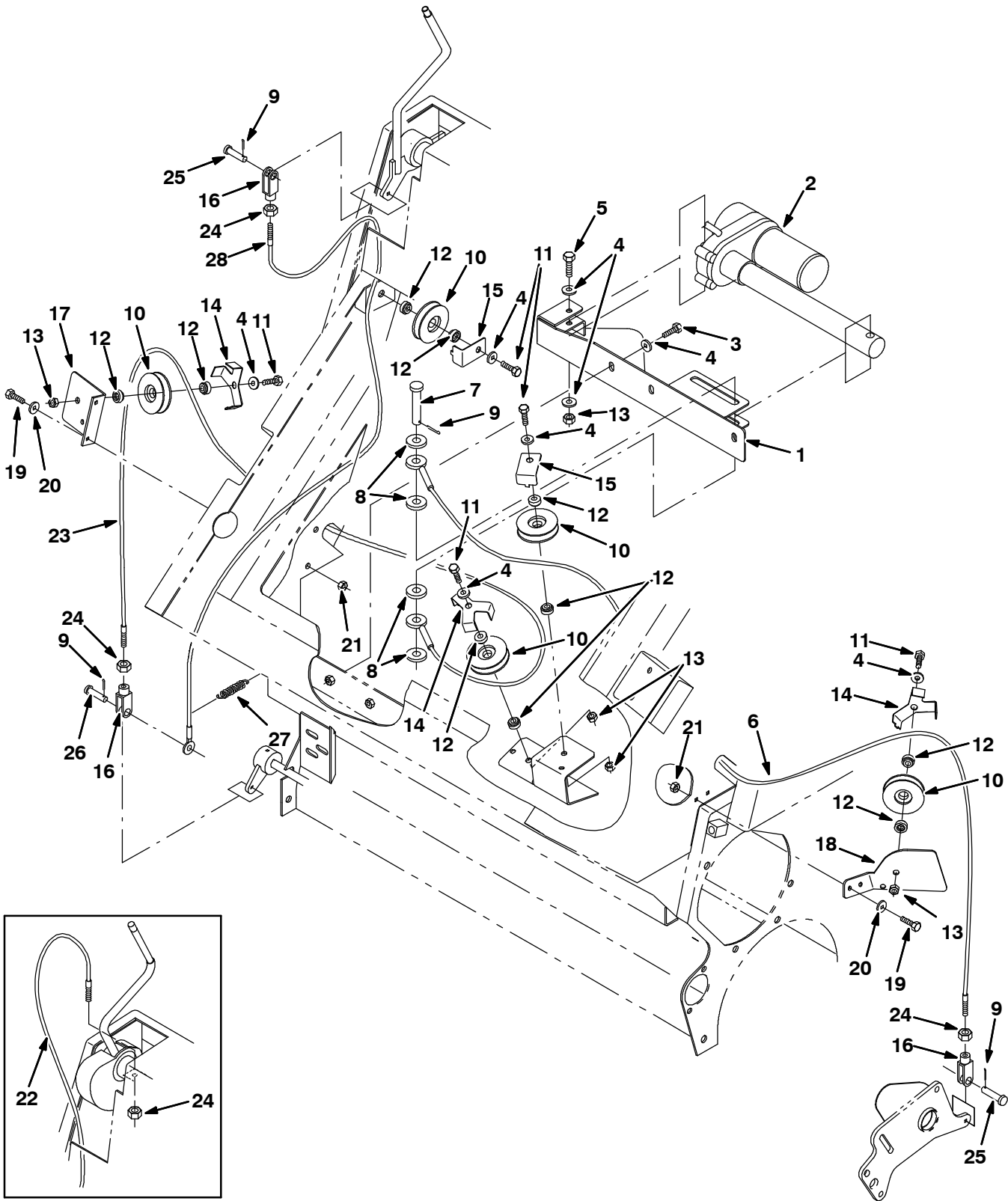


Fig. 39 - Sweeper Main Brush Lift Group

Ref.	Tennant Part No.	Machine Serial Number	Description	Qty.
1	387442	(000000-	) Actuator, Mount	1
2	390992	(000000-	) Actuator, 36vdc, 05.0stroke 600lb	1
3	16931	(000000-	) Screw, Hex, M08 X 1.25 X 20, 8.8	3
4	32491	(000000-	) Washer, Flt, .31 Std	10
5	39278	(000000-	) Screw, Hex, M08 X 1.25 X 50, 8.8	
6	386578	(000000-	) Cable, Brush, Lift	1
7	51103	(000000-	) Pin, Clevis, 0.50 D X 2.62l	1
8	32486	(000000-	) Washer, Flt, .50 Sae	4
9	08175	(000000-	) Pin, Cotter, .125 X 1.25	4
10	80235	(000000-	) Sheave, Idler, 15mm Id, 2.44pd	5
11	41342	(000000-	) Screw, Hex, M08 X 1.25 X 40, 8.8	5
12	80487	(000000-	) Spacer, Idler .25 Lg	10
13	08709	(000000-	) Nut, Hex, Lock, M08 X 1.25,NI	5
14	386628	(000000-	) Angle, Cable. Keeper	3
15	386629	(000000-	) Angle, Cable, Keeper	2
16	14595-1	(000000-	) Clevis, Adj, 0.25pin, .25-28	3
17	386969	(000000-	) Angle	1
18	386972	(000000-	) Angle	1
19	06943	(000000-	) Screw, Hex, M06 X 1.0 X 20, 8.8	4
20	32940	(000000-	) Clevis, Adj, 1.12pin, 1.00-14	4
21	41359	(000000-	) Nut, Hex, Std, M06 X 1.0	4
22	386577	(000000-003124	) Cable, Flap, Lift	1
23	386579	(000000-	) Cable, Flap, Lift	1
24	01714	(000000-	) Nut, Hex, Std, .25-28	4
25	14605	(000000-	) Pin, Clevis, 0.25 D X 0.75l	2
26	51727	(000000-	) Pin, Clevis, 0.25 D X 1.00l	1
27	363981	(000000-	) Spring, Extn, 0.50Od X 0.04Wir, 3.0L	1
28	387477	(003125-	) Cable, Flap, Lift	1

**Fig. 40 - Hopper and Bumper Group**

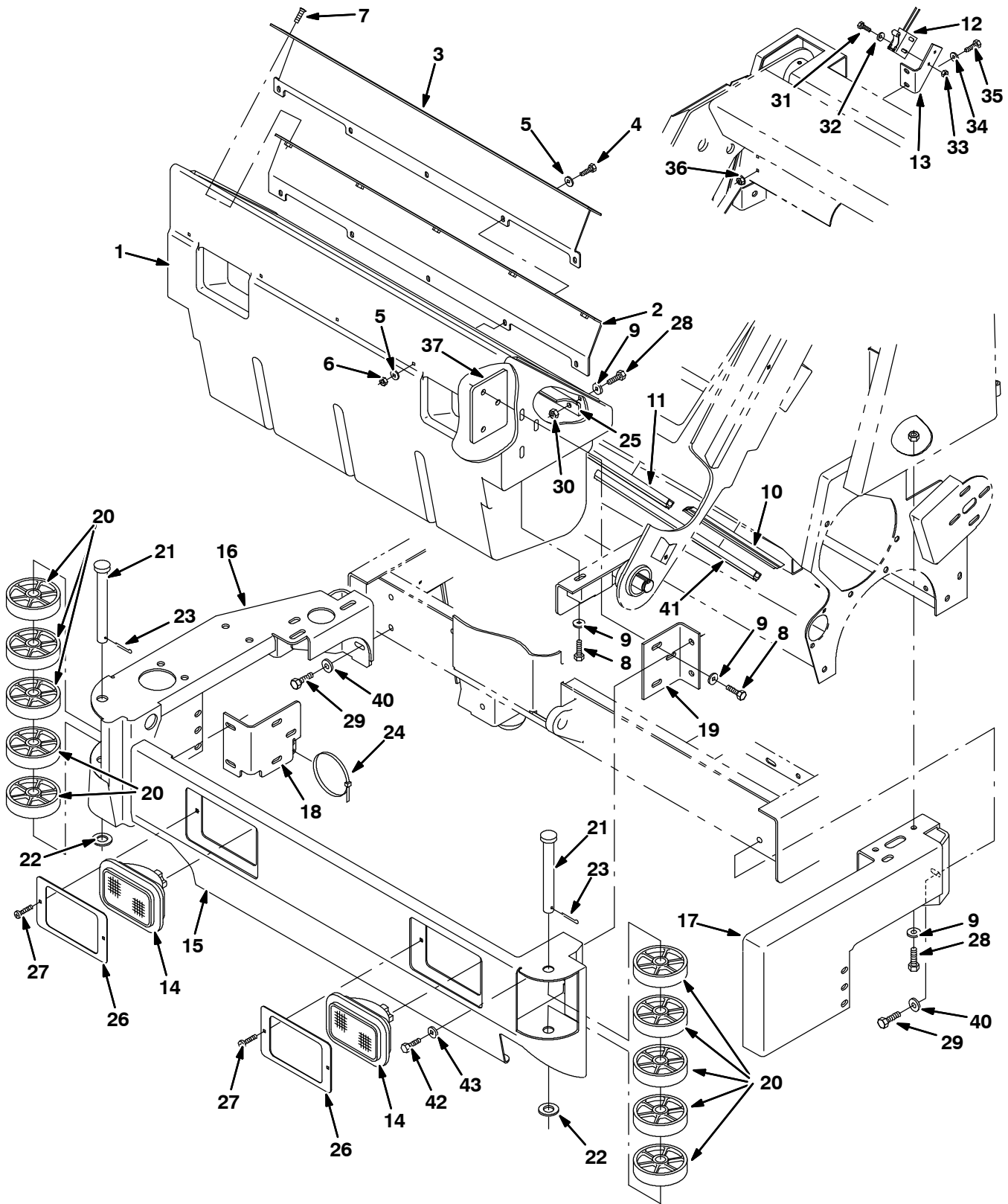




Fig. 40 - Hopper and Bumper Group

Ref.	Tennant Part No.	Machine Serial Number	Description	Qty.
1	386566	(000000-	) Hopper, Sweeper, [8300]	1
2	386970	(000000-	) Brace, Hppr, Internal	1
3	386971	(000000-	) Brace, Hppr, External	1
4	06944	(000000-	) Screw, Hex, M06 X 1.0 X 25, 8.8	5
5	32490	(000000-	) Washer, Flt, .25 Std	10
6	41359	(000000-	) Nut, Hex, Std, M06 X 1.0	5
7	06415	(000000-	) Screw, Flat, M06 X 1.0 X 25, 10.9	5
8	16931	(000000-	) Screw, Hex, M08 X 1.25 X 16, 8.8	8
9	32491	(000000-	) Washer, Flt, .31 Std	18
10	387407	(000000-	) Seal, Hppr, Vertical	2
11	387413	(000000-	) Seal, Hppr, Horiz	1
12	367404	(000000-	) Switch Assy, Roller, No	1
13	387295	(000000-	) Bracket, Switch	1
▽	14	223044	(000000-) Headlight, 36vdc, 15cp 0.7a [#0534242]	2
▲		360518	(000000-) Lamp, 36vdc, 32cp .72a, [#sp7]	1
15	386908	(000000-	) Bumper Wldt	1
16	386752	(000000-	) Bumper Wldt, Rh	1
17	387095	(000000-	) Bumper Wldt, Lh	1
18	386570	(000000-	) Angle, Bumper, Mtg, Rh	1
19	387498	(003185-	) Bracket, Bumper	1
20	364085	(000000-	) Wheel, 4.0d 0.98w 0.78b	10
21	51414	(000000-	) Pin, Clevis, 0.75 D X 6.50l	2
22	39350	(000000-	) Washer, Flt, .75 Sae	2
23	08236	(000000-	) Pin, Cotter, .156 X 1.25	2
24	49266	(000000-	) Tie, Cable, Nyl, 07.3l .19w 1.8 Max D	3
25	387019	(000000-	) Angle	1
26	363827	(000000-	) Plate, Headlight	2
27	74027	(000000-	) Screw, Pan, M06-1.0 X 12, NI	4
28	39277	(000000-	) Screw, Hex, M08 X 1.25 X 25, 8.8	8
29	39283	(000000-	) Screw, Hex, M10 X 1.5 X 25, 8.8	4
30	08709	(000000-	) Nut, Hex, Lock, M08 X 1.25,NI	4
31	09244	(000000-	) Screw, Hex, M05 X 0.8 X 16, 8.8	2
32	19066	(000000-	) Washer, Flt, #10	2
33	06549	(000000-	) Nut, Hex, Lock, M05 X 0.8, NI	2
34	06942	(000000-	) Screw, Hex, M06 X 1.0 X 16, 8.8	2
35	32483	(000000-	) Washer, Flt, .25 Sae	2
36	08708	(000000-	) Nut, Hex, Lock, M06 X 1.0, NI	2
37	387319	(000000-	) Plate	2
38	06955	(000000-	) Screw, Hex, M08 X 1.25 X 35, 8.8	6
39	07791	(000000-	) Nut, Hex, Flng, M08 X 1.25	4
40	32492	(000000-	) Washer, Flt, .38 Std	4
41	387406	(000000-	) Seal, Hppr, Horiz	1
42	06955	(003185-	) Screw, Hex, M8X1.25 X 35, 8.8	2
43	32491	(003185-	) Washer, Flat, 0.31 Std	2

Fig. 41 - Sweeper Main Brush Skirts Group

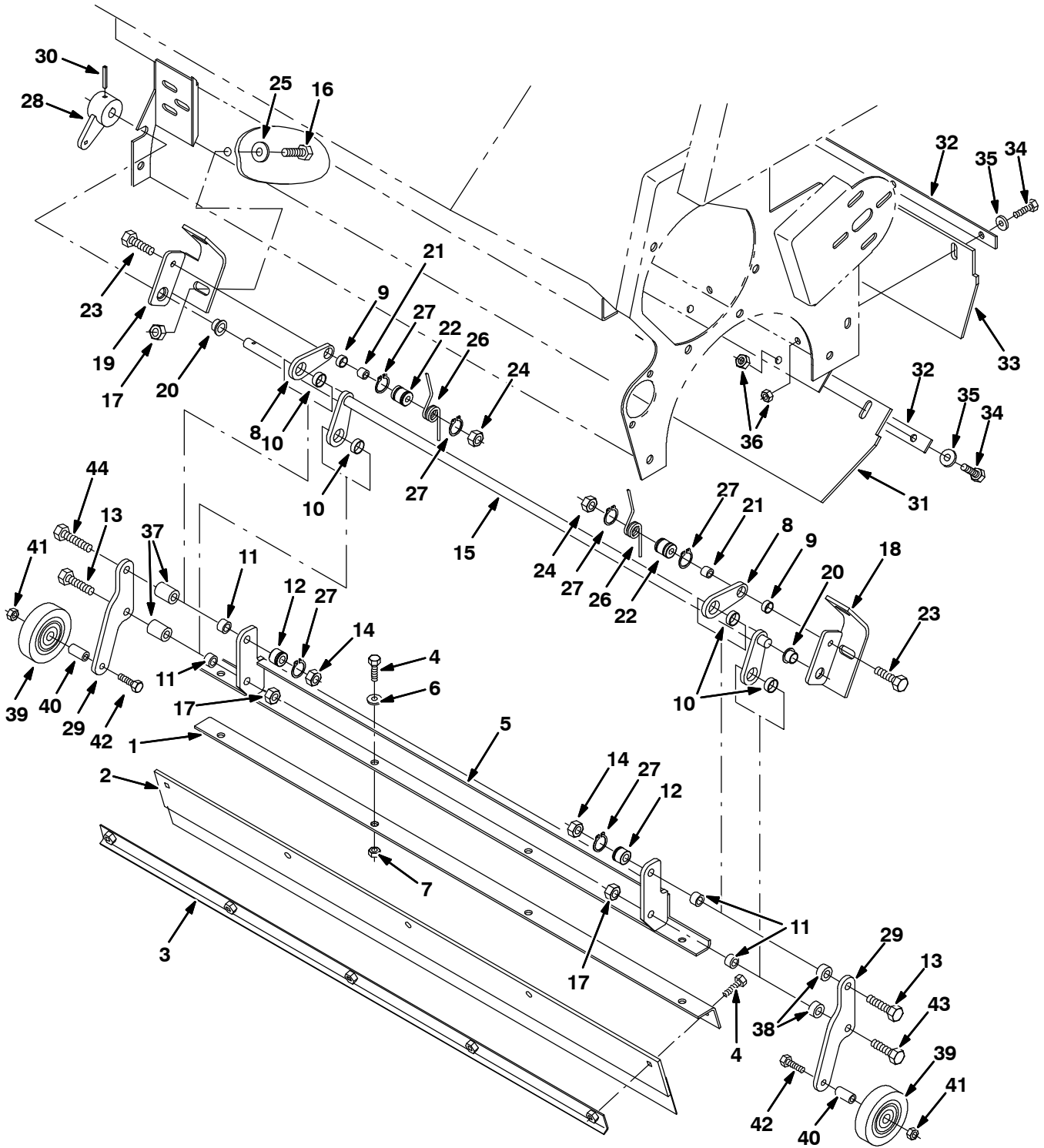


Fig. 41 - Sweeper Main Brush Skirt Group

Ref.	Tennant Part No.	Machine Serial Number	Description	Qty.
1	387275	(000000-	) Angle, Mtg, Front	1
2	386626	(000000-	) Flap, Front	1
3	386617	(000000-	) Strip, Flap	1
4	09740	(000000-	) Screw, Hex, M08 X 1.25 X 20, Ss	9
5	387274	(000000-	) Channel Wldt	1
6	07800	(000000-	) Washer-Flt 8.4x17 X2 M8	4
7	07786	(000000-	) Nut, Hex, Std, M08 X 1.25, Ss	4
8	387233	(000000-	) Arm	2
9	367452	(000000-	) Bushing, Sleeve, 0.50b 0.59d 0.25l, Bnz	2
10	360491	(000000-	) Bushing, Sleeve, 0.63b 0.72d 0.25l	4
11	386581	(000000-	) Bearing, Sleeve, 0.62od	4
12	387268	(000000-	) Spacer, Short	2
13	06964	(000000-	) Screw, Hex, M10 X 1.50 X 70, 8.8	2
14	08714	(000000-	) Nut, Hex, Lock, M10 X 1.5, NI, Ss	2
15	386621	(000000-	) Arm Assy, Flap, Lower	1
16	09028	(000000-	) Screw, Hex, M10 X 1.5 X 25, Ss	4
17	08714	(000000-	) Nut, Hex, Lock, M10 X 1.5, NI, Ss	4
18	386625	(000000-	) Bar Wldt, Flap, Lh	1
19	387111	(000000-	) Bar Wldt, Flap, Rh	1
20	15648	(000000-	) Bushing, Flng, 0.50b 0.59d 0.38l	2
21	387235	(000000-	) Sleeve	2
22	387234	(000000-	) Spacer	2
23	09026	(000000-	) Screw, Hex, M08 X 1.25 X 40, Ss	2
24	07786	(000000-	) Nut, Hex, Std, M08 X 1.25, Ss	2
25	33924	(000000-	) Washer, Flat, M10, 10.5x21x2ss	4
26	387296	(000000-	) Spring, Tors, .81ld .09W 3.0 Coil	2
27	26428	(000000-	) Ring, Retaining, Ext, 0.75d, Hd	6
28	386591	(000000-	) Arm Wldt, Flap	1
29	387397	(000000-	) Leg	1
30	26103	(000000-	) Pin, Roll, .180 D X 1.25L, .187/.192	1
31	386828	(000000-	) Skirt, Recirculation	1
32	387400	(000000-	) Strip, Recirculation Flap	1
33	386829	(000000-	) Skirt, Recirculation	1
34	76570	(000000-	) Screw, Hex, M08 X 1.25 X 30, 8.8	4
35	32491	(000000-	) Washer, Flt, .31 Std	8
36	08709	(000000-	) Nut, Hex, Lock, M08 X 1.25,NI	8
37	387398	(000000-	) Spacer	2
38	387399	(000000-	) Spacer	2
39	222066	(000000-	) Wheel, 3.0D 0.88W 0.50B	2
40	222496	(000000-	) Sleeve	2
41	08713	(000000-	) Nut, Hex, Lock, M08 X 1.25,NI, Ss	2
42	09026	(000000-	) Screw, Hex, M08 X 1.25 X 40, Ss	2
43	32731	(000000-	) Screw, Hex, M10 X 1.5 X 50, Ss	1
44	06965	(000000-	) Screw, Hex, M10 X 1.5 X 80, 8.8	1

**Fig. 42 - Hopper Lift Arms Group**

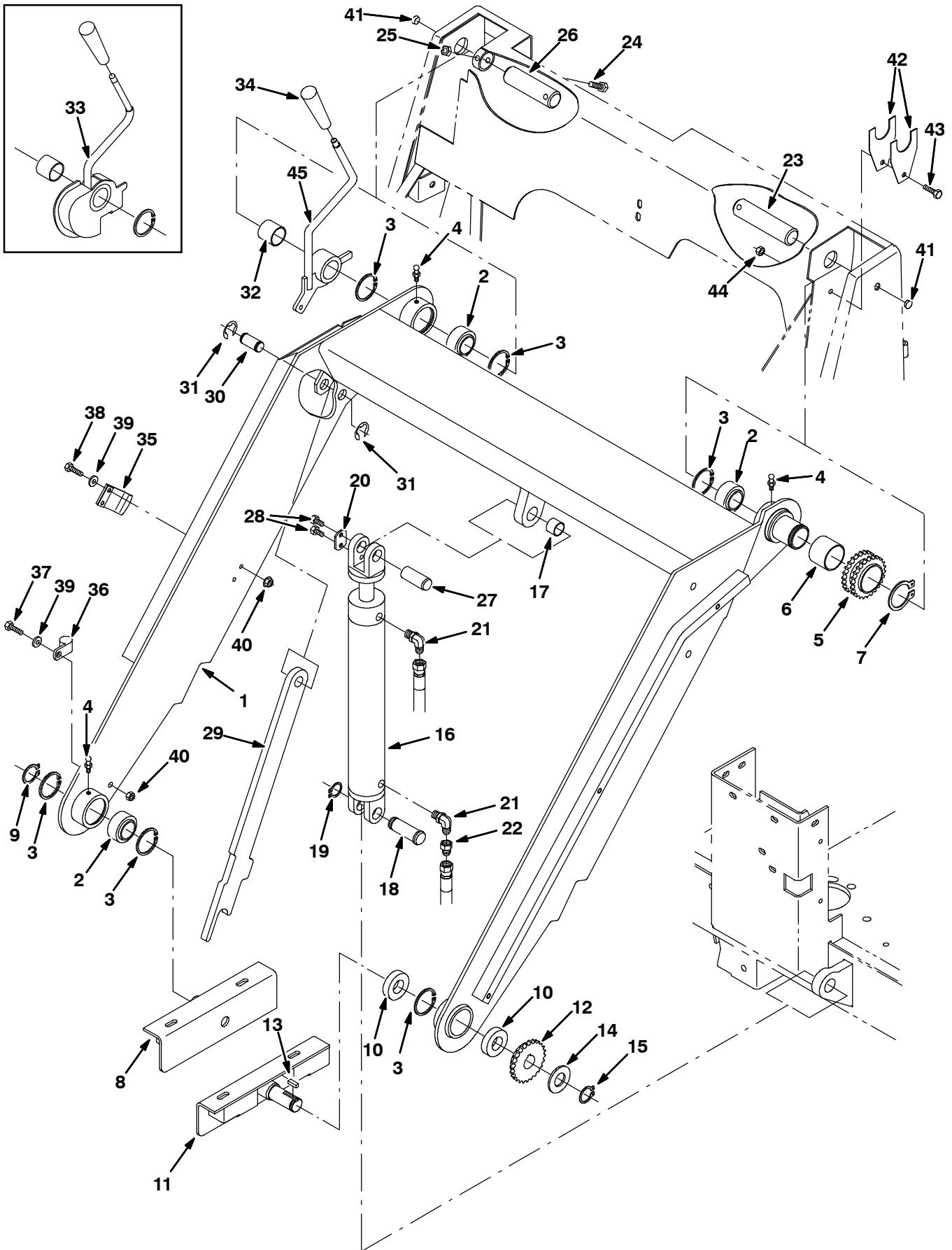


Fig. 42 - Hopper Lift Arms Group

Ref.	Tennant Part No.	Machine Serial Number	Description	Qty.
1	387345	(000000-	) Arm Wldt, Lift, Hopper, W/ Label, [8300]	1
2	42120-1	(000000-	) Bearing, Self Align, 1.25b 2.00d	3
3	59542	(000000-	) Ring, Retaining, Int, 2.00d	6
4	07259	(000000-	) Fitting, Grease, Str Pm04 .47l	3
5	386536	(000000-	) Sprocket Wldt	1
6	386801	(000000-	) Bearing, Sleeve, 1.75id	1
7	87147	(000000-	) Ring, Retaining, Ext, 1.75d, Hd	1
8	386696	(000000-	) Bracket, Hopper, Rh	1
9	58359	(000000-	) Retainer, Ring	1
10	386694	(000000-	) Bearing, Ball, 1.00b 2.00d 0.50w	2
11	386569	(000000-	) Bracket, Hopper, Lh	1
12	386540	(000000-	) Sprocket, Hopper	1
13	00926	(000000-	) Key, Sq, 0.25 X 0.25, 00.75l	1
14	45888	(000000-	) Washer, Flat, 1.00, Sae	1
15	386962	(000000-	) Ring, Retaining, Ext, 1.00od	1
16	379120	(000000-	) Cylinder, Hyd, 2.0b, . L,12.00strk,2500	1
17	364587	(000000-	) Bushing, Sleeve, 0.88b 1.00d 0.75l, Bnz	1
18	73077	(000000-	) Pin, Clevis	1
19	72899	(000000-	) Ring, Retaining, Ext, 0.88d	1
20	72897	(000000-	) Plate, Pin, Clevis, Upper	1
21	77097	(000000-	) Fitting, Hyd, E90, Jm04/Om04	2
22	16455	(000000-	) Fitting, Hyd, Rst, Jm04/.047	1
23	386690	(000000-	) Pin	1
24	39278	(000000-	) Screw, Hex, M08 X 1.25 X 50, 8.8	2
25	08709	(000000-	) Nut, Hex, Lock, M08 X 1.25,NI	2
26	386689	(000000-	) Pin	1
27	72898	(000000-	) Pin, Clevis	1
28	11329	(000000-	) Screw, Hex, M06 X 1.0 X 16, Ss, NI	2
29	387347	(000000-	) Arm, Safety W/ Label, [8300]	1
30	387335	(000000-	) Pin, Arm, Safety	1
31	59840	(000000-	) Ring, Retaining, Ext, 0.75d	2
32	386598	(000000-	) Bearing, Sleeve, 1.25id	1
33	386599	(000000-003124	) Lever Assy, Flap	1
34	54995	(000000-	) Knob, Tapered	1
35	364672	(000000-	) Clip, Spring, Prop Arm	1
36	40678-1	(000000-	) Clamp, Cable, Stl, 0.88d X 0.62w, 1h	1
37	06943	(000000-	) Screw, Hex, M06 X 1.0 X 20, 8.8	1
38	06942	(000000-	) Screw, Hex, M06 X 1.0 X 16, 8.8	2
39	32483	(000000-	) Washer, Flt, .25 Sae	3
40	07790	(000000-	) Nut, Hex, Flng, M06 X 1.0	3
41	56992	(000000-	) Button, Plug, 0.50H .03-.12 [Black Nyl]	2
42	360768	(000000-	) Plate, Spacer, Lift Arm	4
43	06943	(000000-	) Screw, Hex, M06 X 1.0 X 20, 8.8	1
44	07790	(000000-	) Nut, Hex, Flng, M06 X 1.0	1
45	387472	(003125-	) Lever Wldt, Flap	1

Fig. 43 - Hopper Chain and Cover Group

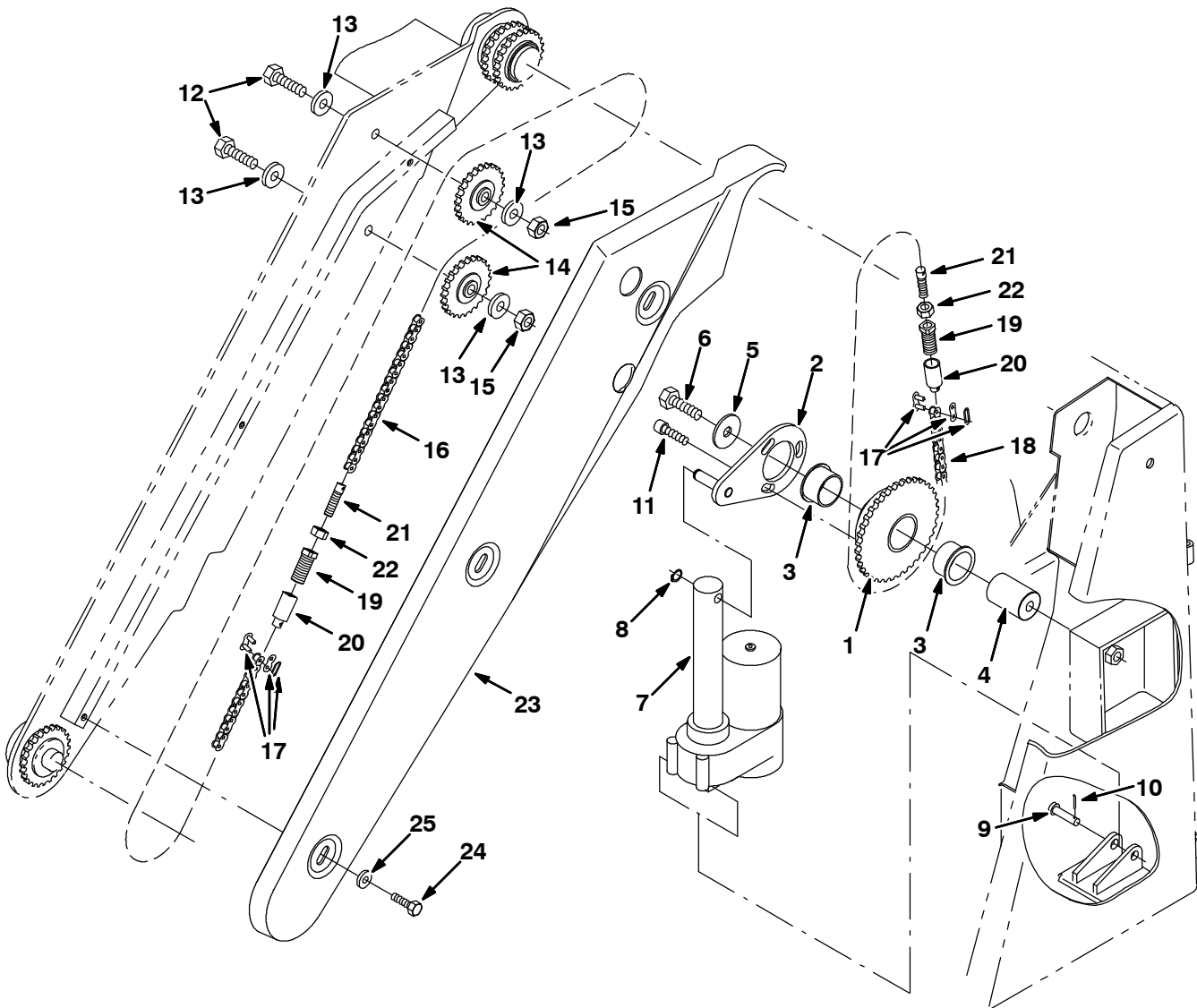


Fig. 43 - Hopper Chain and Cover Group

Ref.	Tennant Part No.	Machine Serial Number	Description	Qty.
1	386784	(000000-	) Hub Wldt	1
2	387036	(000000-	) Arm Wldt	1
3	54620	(000000-	) Bushing, Flng, 1.50b 1.65d 1.00l	2
4	386783	(000000-	) Shaft	1
5	51564	(000000-	) Washer, 0.53b 1.75d .12, Stl, Pl	1
6	06974	(000000-	) Screw, Hex, M12 X 1.75 X 80, 8.8	1
7	387144	(000000-	) Actuator, Rollout	1
8	70717	(000000-	) Ring, Retaining, Ext, 0.50d, Hd	1
9	17461	(000000-	) Pin, Clevis, 0.37 D X 1.75l	1
10	08179	(000000-	) Pin, Cotter, .094 X 1.00	1
11	39309	(000000-	) Screw, Soc, M10 X 1.5 X 25, 12.9	3
12	06971	(000000-	) Screw, Hex, M12 X 1.75 X 50, 8.8	2
13	32486	(000000-	) Washer, Flt, .50 Sae	4
14	386539	(000000-	) Sprocket, Idler	2
15	08711	(000000-	) Nut, Hex, Lock, M12 X 1.75, NI	2
16	386554	(000000-	) Chain, Arm	1
17	07112	(000000-	) Link, Chain, Roller, #40	2
18	386555	(000000-	) Chain, Drive	1
19	386997	(000000-	) Housing	2
20	386998	(000000-	) Ear	2
21	386999	(000000-	) Pivot	2
22	32716	(000000-	) Nut, Hex, Jam, M10 X 1.5, Ss	2
23	387279	(000000-	) Cover, Chain	1
24	16931	(000000-	) Screw, Hex, M08 X 1.25 X 20, 8.8	3
25	32491	(000000-	) Washer, Flt, .31 Std	3

Fig. 44 - Hopper Filter Box Group

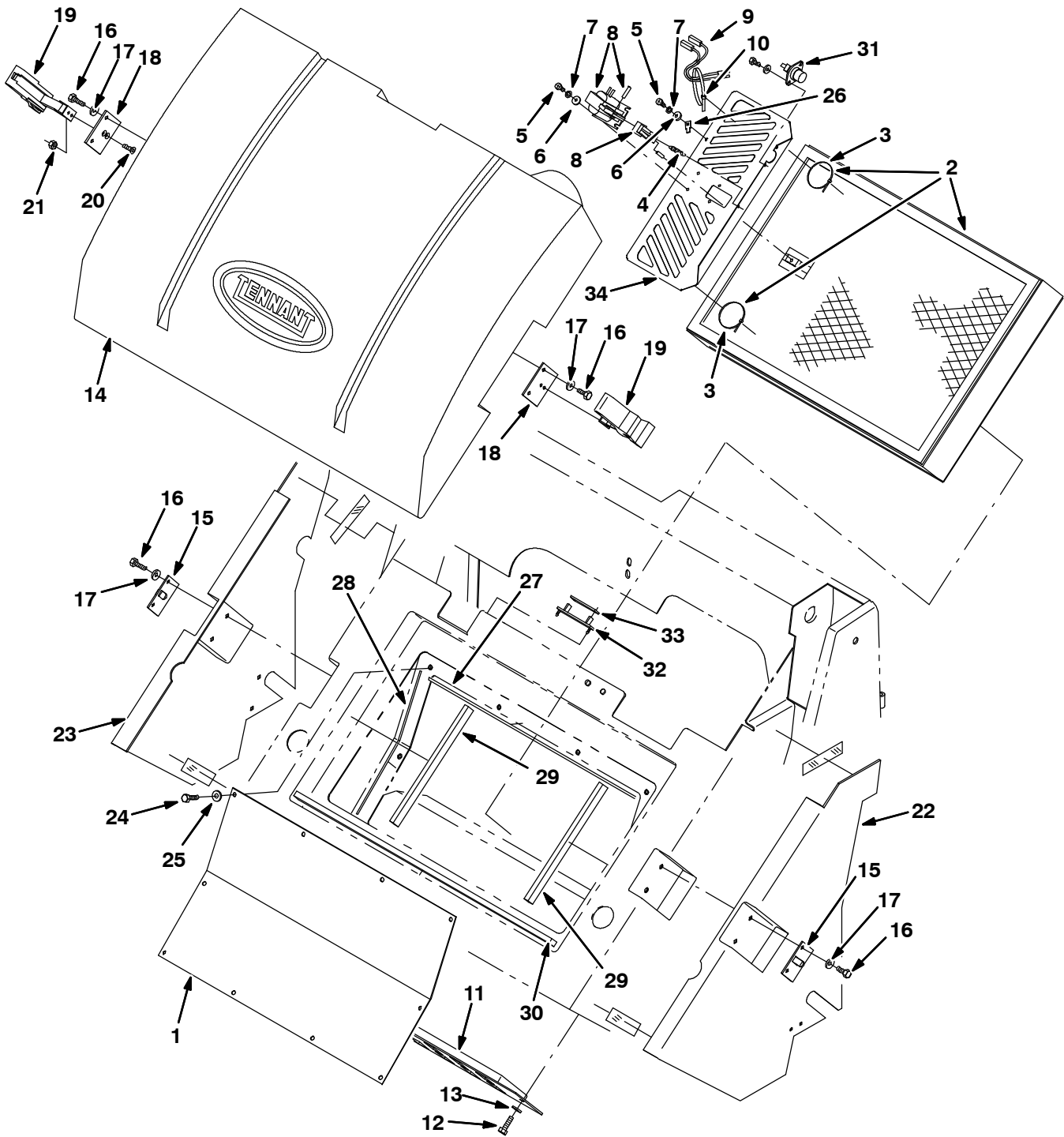




Fig. 44 - Hopper Filter Box Group

Ref.	Tennant Part No.	Machine Serial Number	Description	Qty.
	1	386989	(000000- ) Panel, Access	1
▽	2	375213	(000000- ) Kit, Ci, Fltr, [8300]	1
▲	3	49266	(000000- ) Tie, Cable, Nyl, 07.3L .19W 1.8MaxD	2
	4	1045426	(000000- ) Spring, Extn, 0.43OD 0.05Wir 01.4L	1
	5	49697	(000000- ) Screw, Pan, M04 X 0.7 X 10, Ss	5
	6	19065	(000000- ) Washer, Flt, #08	5
	7	32978	(000000- ) Washer, Lock, Int, #08	5
	8	379891	(000000- ) Solenoid, Filter Shaker	1
	9	383835	(000000- ) Harness, Solenoid, Shagr, [6200]	1
	10	49266	(000000- ) Tie, Cable, Nyl, 07.3l .19w 1.8 Max D	1
	11	386919	(000000- ) Panel Wldt, Perma-Filter	1
	12	16931	(000000- ) Screw, Hex, M08 X 1.25 X 20, 8.8	2
	13	32491	(000000- ) Washer, Flt, .31 Std	2
	14	386463	(000000- ) Cover, Hopper	1
	15	387284	(000000- ) Plate, Latch, Upper	2
	16	87308	(000000- ) Screw, Hex, M06 X 1.0 X 12, 8.8	8
	17	32490	(000000- ) Washer, Flt, .25 Std	8
	18	387283	(000000- ) Plate, Latch, Lower	2
	19	360824	(000000- ) Latch	2
	20	360826	(000000- ) Screw, Flat, M05 X 0.8 X 16, 10.9	4
	21	06549	(000000- ) Nut, Hex, Lock, M05 X 0.8, NI	4
	22	387542	(000000- ) Kit, Panel, Lh	1
	23	387543	(000000- ) Kit, Panel, Rh	1
	24	87308	(000000- ) Screw, Hex, M06 X 1.0 X 12, 8.8	10
	25	32483	(000000- ) Washer, Flt, .25 Sae	10
	26	68106	(000000- ) Terminal, Qdc, [.25m, Tab , ]	1
	27	387384	(000000- ) Seal, Horiz	2
	28	387383	(000000- ) Seal, Vertical	2
	29	387385	(000000- ) Spacer, Fltr, Vertical	2
	30	387386	(000000- ) Spacer, Fltr, Horiz	1
	31	87546	(000000- ) Thermostat	1
	32	386808	(000000- ) Clamp, Ribbon Cable	1
	33	386809	(000000- ) Clamp, Ribbon Cable, Hold-Down	1
	34	387404	(000000- ) Angle, Mtg, Fltr Shaker	1

Fig. 45 - Sweeper Vacuum Fan Group

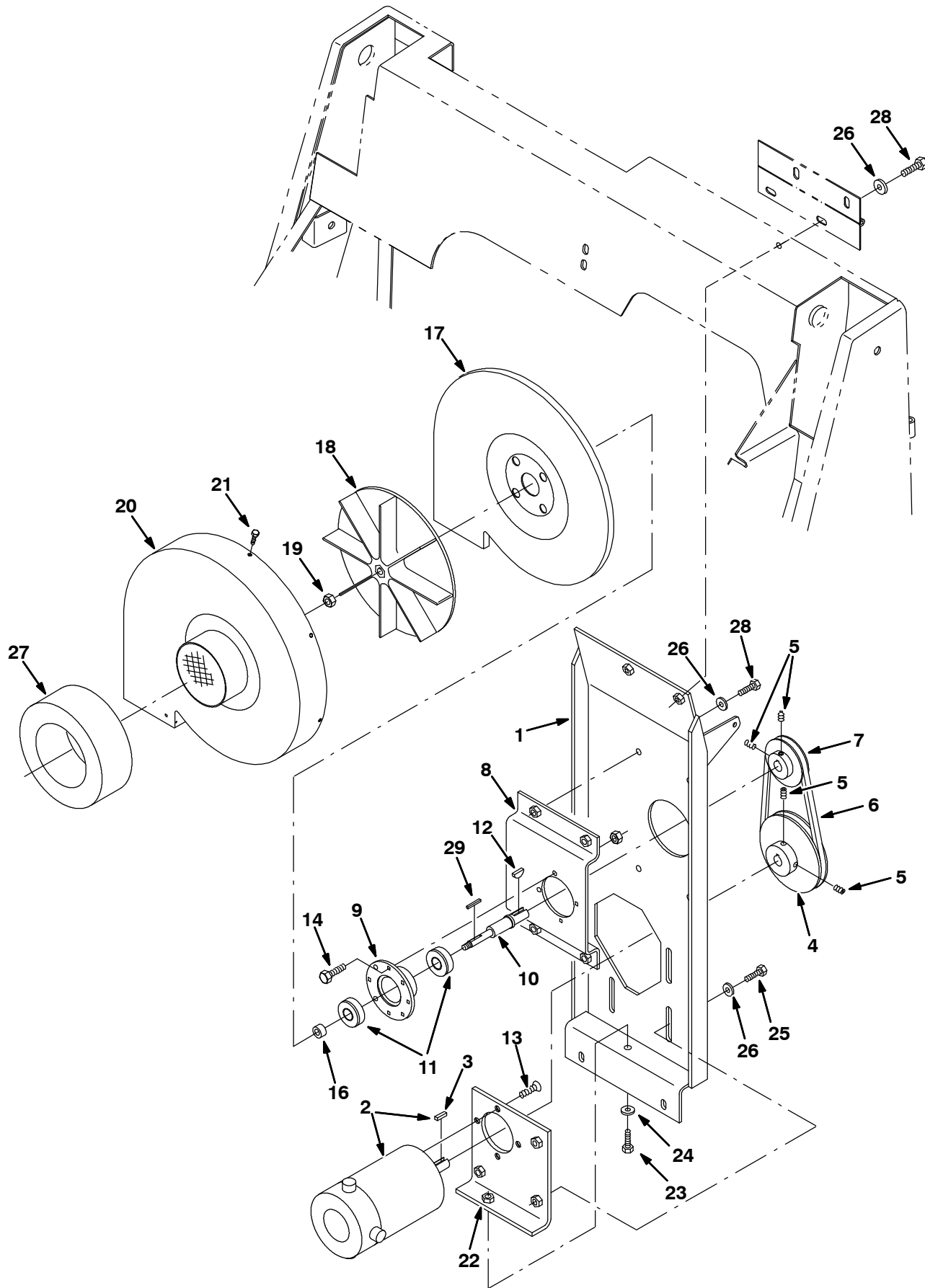


Fig. 45 - Sweeper Vacuum Fan Group

Ref.	Tennant Part No.	Machine Serial Number	Description	Qty.	
1	386686	(000000-	) Plate Wldt	1	
2	222409	(000000-003581	) Motor, Ele, 36Vdc (See Breakdown) (Repl. by 374201)	1	
2	374201	(003582-	) Motor, Ele, 36Vdc 0.75 Hp 2500Rpm (See Breakdown)	1	
3	00912	(000000-	) Key, Sq, 0.19 X 0.19, 01.00l	1	
4	363617	(000000-	) Sheave, [3v], 1grv, 04.7pd 0.75b	1	
5	39338	(000000-	) Screw, Set, .31-18 X 0.50, Soc	4	
6	360686	(000000-	) Belt, V, [3v] 33.5l	1	
7	360181	(000000-	) Sheave, [3v], 1grv, 02.6pd 0.63b	1	
8	387081	(000000-	) Bracket	1	
▽	387387	(000000-	) Bearing Assy	1	
▲	9	41561	(000000-	) Bushing Assy, Flng, 4 Hole, 1.57b, Stl	1
▲	10	387376	(000000-	) Shaft	1
▲	11	32525	(000000-	) Bearing, Ball, 0.67b 1.57d 0.47w	2
12	00500-10	(000000-	) Key, Woodruff, 0.19 0.75, [ASA#0606]	1	
13	32129	(000000-	) Screw, Flat, M08 X 1.25 X 20, 10.9	4	
14	06943	(000000-	) Screw, Hex, M06 X 1.0 X 20, 8.8	4	
15	08708	(000000-	) Nut, Hex, Lock, M06 X 1.0, NI	4	
16	10362	(000000-	) Spacer	1	
17	36593	(000000-	) Housing, Vacfan, Rear, 9.0d, Impeller	1	
18	74454	(000000-	) Impeller, 9.00d X 1.40w X 0.376b	1	
19	87299	(000000-	) Nut, Hex, Flexlock, .31-24	1	
20	387349	(000000-	) Cover, Vac Fan, W/ Label, [8300]	1	
21	87838	(000000-	) Screw, Hex, #06-20 X 0.50, Fmg, [Ab]	9	
22	387082	(000000-	) Angle	1	
23	33401	(000000-	) Screw, Hex, M8 X 1.25 X 50, Ss, FI	1	
24	32492	(000000-	) Washer, Flt, .38 Std	1	
25	39277	(000000-	) Screw, Hex, M08 X 1.25 X 25, 8.8	3	
26	32491	(000000-	) Washer, Flt, .31 Std	11	
27	387408	(000000-	) Seal, Vac Fan	2	
28	16931	(000000-	) Screw, Hex, M08 X 1.25 X 20, 8.8	8	
29	00954	(000000-	) Key, Sq, 0.12 X 0.12, 01.00l	1	

**Fig. 46 - Hydraulic Power Unit and Solenoid Valve Group**

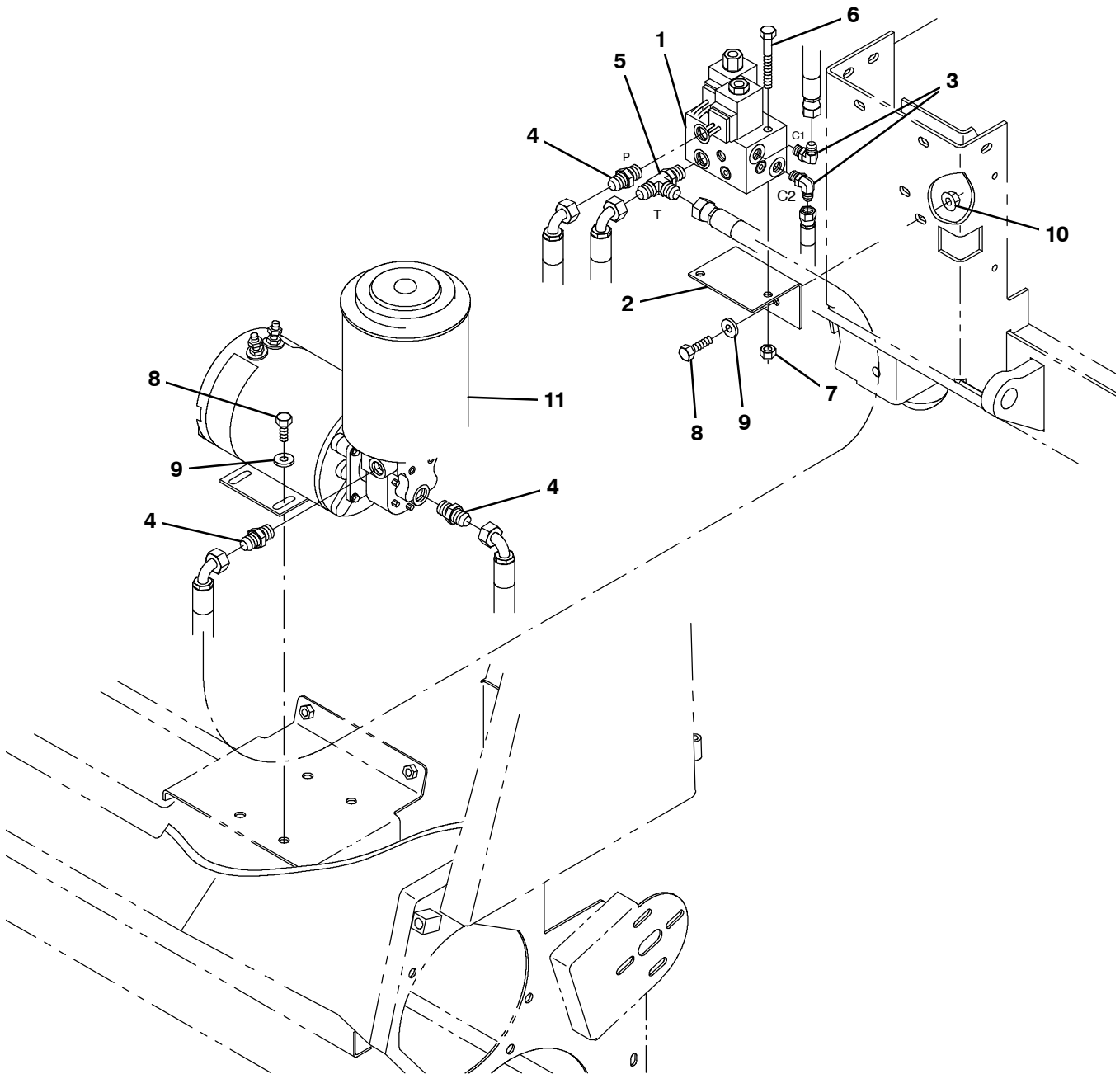
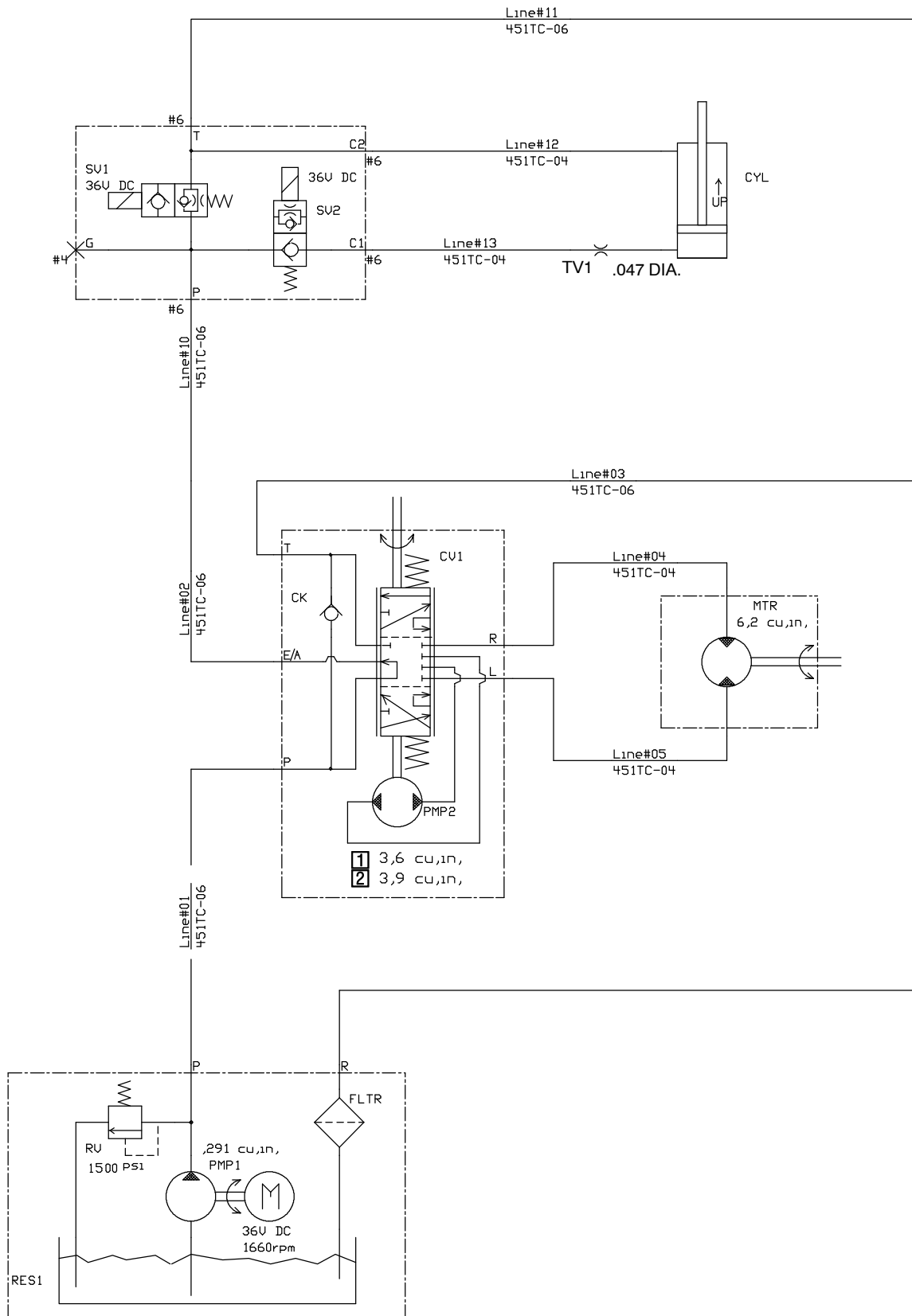


Fig. 46 - Hydraulic Power Unit and Solenoid Valve Group

Ref.	Tenant Part No.	Machine Serial Number	Description	Qty.
1	386705	(000000-004772 )	Valve, Hyd, Solenoid (See Breakdowns) Replaced by 1049212	1
1	1049212	(004773-	) Valve, Cntrl, Hyd, Solenoid, 36Vdc 06Gpm (See Breakdowns)	1
2	387351	(000000-	) Angle	1
3	77097	(000000-	) Fitting, Hyd, E90, Jm04/Om04	2
4	56690	(000000-	) Fitting, Hyd, Str, Jm06/Om06	3
5	76316	(000000-	) Fitting, Hyd, Tee, Jm06/Jm06/Om06	1
6	06958	(000000-	) Screw, Hex, M08 X 1.25 X 80, 8.8	2
7	08709	(000000-	) Nut, Hex, Lock, M08 X 1.25,NI	2
8	16931	(000000-	) Screw, Hex, M08 X 1.25 X 20, 8.8	6
9	32491	(000000-	) Washer, Flt, .31 Std	6
10	07791	(000000-	) Nut, Hex, Flng, M08 X 1.25	2
11	386704	(000000-	) Powerunit, Hyd, 36Vdc (See Breakdowns)	1

Fig. 47 - Hydraulic Schematic



- ① Serial number (000000-003713)
- ② Serial number (003714- )



Fig. 48 - Hydraulic Hose Group

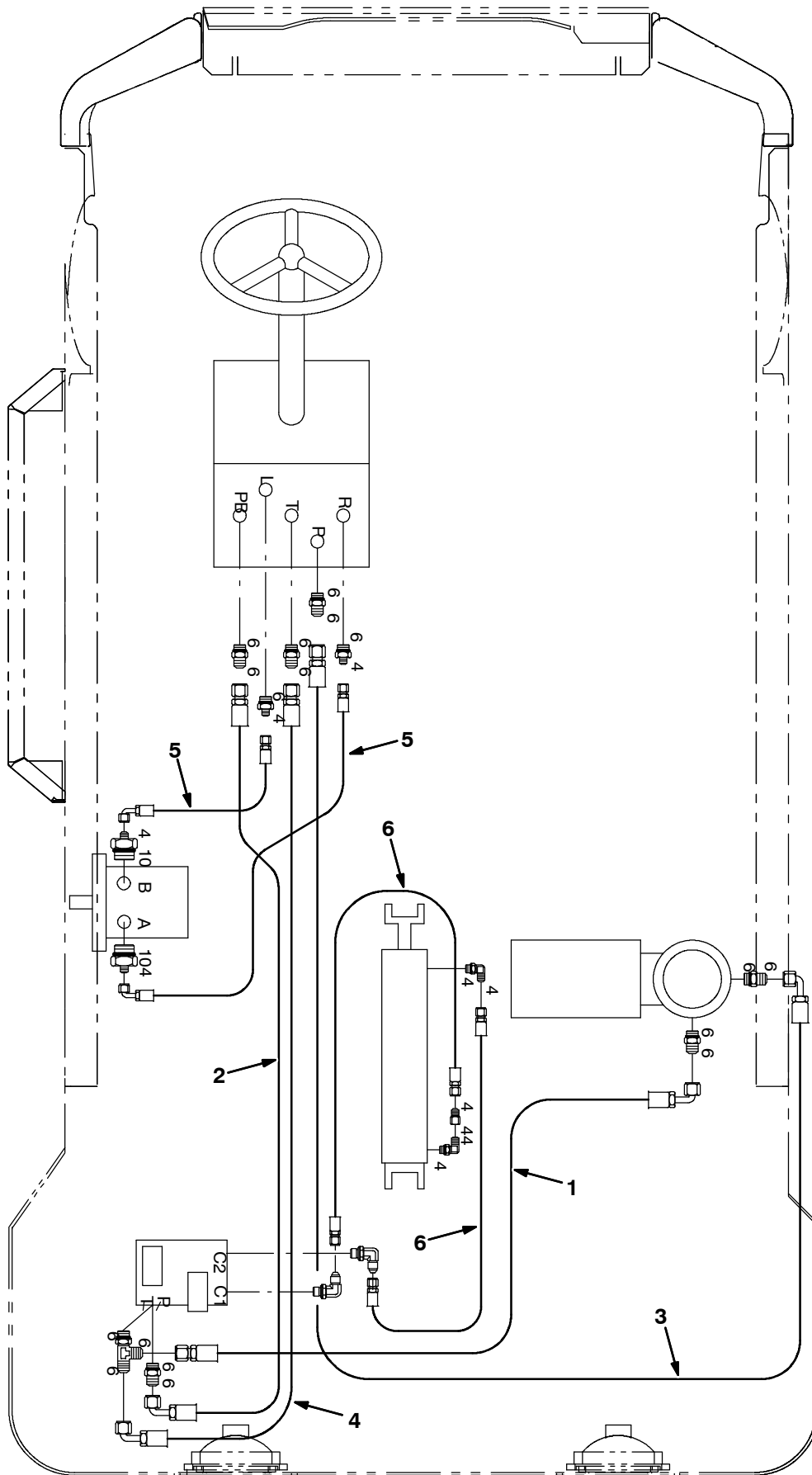




Fig. 48 - Hydraulic Hose Group

Ref.	Tenant Part No.	Machine Serial Number	Description	Qty.
1	361043	(000000-	) Hose, Hyd,Med06, Jf06str /Jf06e90 , 26.0	1
2	387281	(000000-	) Hose, Hyd,Tc 04, Jf04str /Jf04e90 , 20.0	1
3	386711	(000000-	) Hose, Hyd, Tc 06, Jf str/E90 , 48.0l	1
4	387282	(000000-	) Hose, Hyd,Tc 06, Jf06str /Jf06e90 , 24.0	1
5	381867	(000000-	) Hose, Hyd,Tc 04, Jf04str /Jf04e90 , 30.0	2
6	1036903	(000000-	) Hose, Hyd, Tc04, Jf04Str/Jf04Str, 025.0	2

**Fig. 49 - Electrical Control Box Circuit Breaker Group**

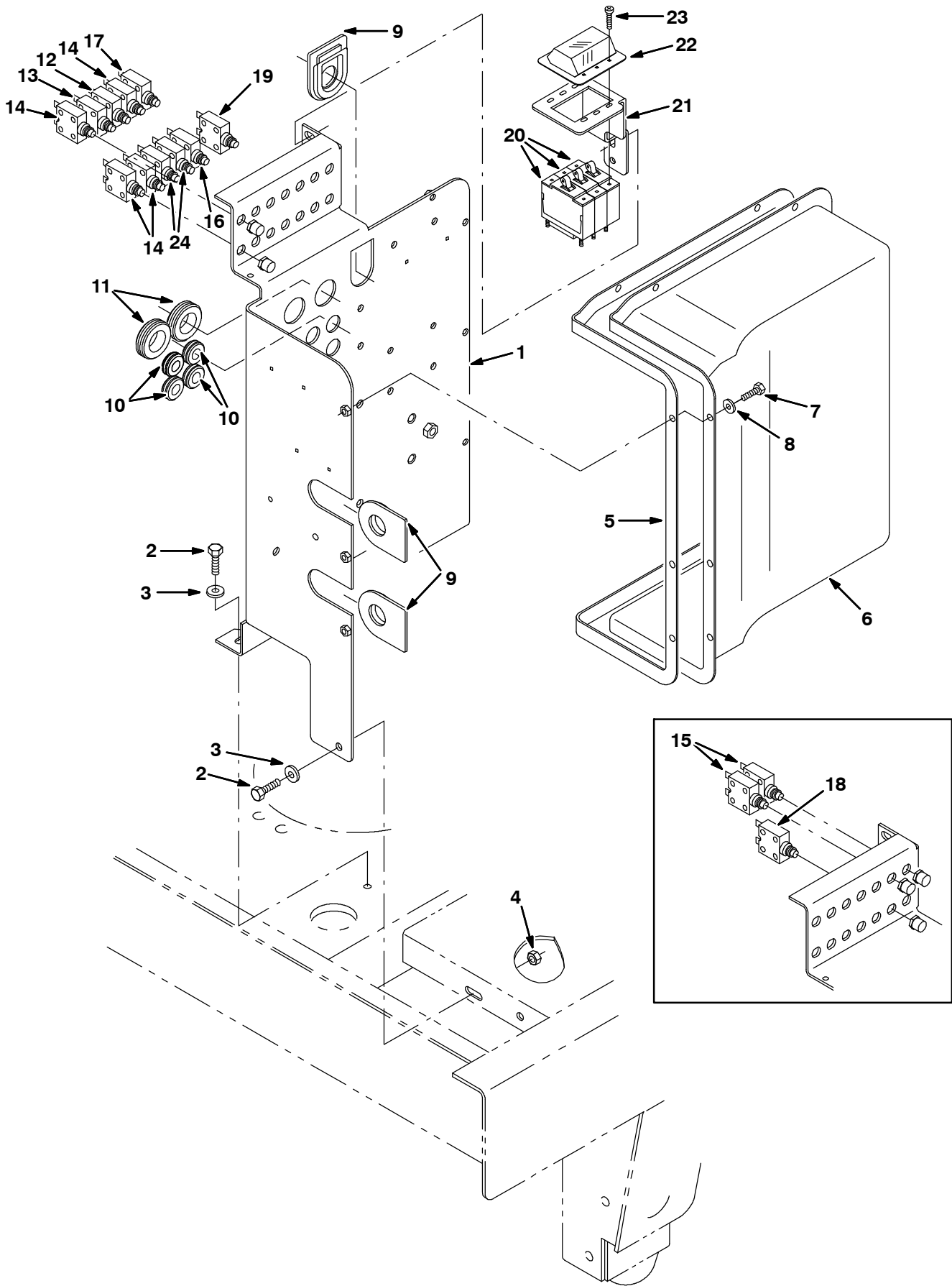


Fig. 49 - Electrical Control Box Circuit Breaker Group

Ref.	Tennant Part No.	Machine Serial Number	Description	Qty.
1	387453	(000000-	) Plate, Controlbox	1
2	16931	(000000-	) Screw, Hex, M08 X 1.25 X 20, 8.8	3
3	32491	(000000-	) Washer, Flt, .31 Std	3
4	08709	(000000-	) Nut, Hex, Lock, M08 X 1.25,NI	1
5	386127	(000000-	) Gasket, Cover, Controller	1
6	386128	(000000-	) Cover, Controlbox	1
7	09244	(000000-	) Screw, Hex, M05 X 0.8 X 16, 8.8	8
8	01683	(000000-	) Washer, Flt, #10 Ss	8
9	386563	(000000-	) Grommet, Rbr, 1.0b	3
10	10632-17	(000000-	) Grommet, Rbr, 0.50id, F/ 0.8h, .12matl	4
11	10632-14	(000000-	) Grommet, Rbr, 1.00id, F/ 1.4h, .12matl	2
12	383725	(000000-	) Circuitbreaker,30.0a	1
13	383723	(000000-	) Circuitbreaker, 20.0a	1
14	383722	(000000-	) Circuitbreaker, 15.0a	4
15	383728	(000000-003545	) Circuitbreaker, 50.0a	2
16	383724	(000000-	) Circuitbreaker, 25.0a	1
17	383721	(000000-	) Circuitbreaker, 10.0a	1
18	383728	(000000-003545	) Circuitbreaker, 50.0a (Center Brush Option)	1
19	383727	(000000-	) Circuitbreaker, 40.0a (Power Steering Option)	1
20	387636	(003546-	) Circuitbreaker, 40a, (Max Pro™ 1200 Disk)	3
20	387636	(003546-	) Circuitbreaker, 40a, (Max Pro™ 1000 Disk W/Std Motor)	2
20	387637	(003546-	) Circuitbreaker, 45a, (Max Pro™ 1000 Disk W/Hd Motor)	2
20	387637	(003546-	) Circuitbreaker, 45a, (Max Pro™ 1000 Cylindrical)	2
20	387637	(003546-	) Circuitbreaker, 45a, (Max Pro™ 1200 Cylindrical)	2
21	387634	(003546-	) Bracket, Mtg, Circuitbreaker, [Hi-Mag]	1
22	387640	(003546-	) Boot, Protector, Circuitbreaker	1
23	19320	(003546-	) Screw, Pan, #06-32X0.38, 1	6
24	383723	(000000-003545	) Circuitbreaker, 20.0a [Resetable]	2
24	383725	(003546-	) Circuitbreaker, 30.0a, Resetable	2

**Fig. 50 - Electrical Control Box Contactor Group (000000-003545)**

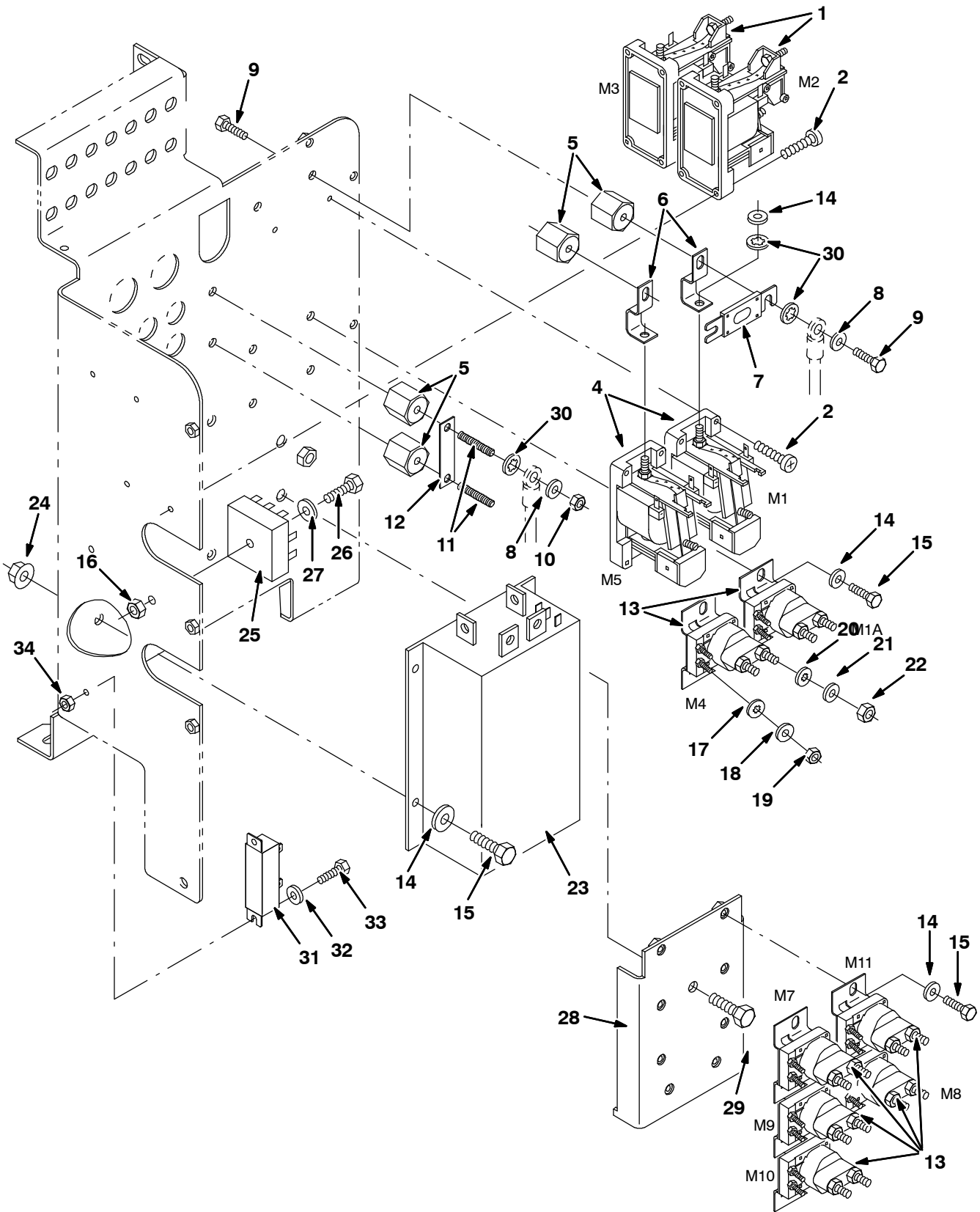


Fig. 50 - Electrical Control Box Contactor Group (000000-003545)

Ref.	Tennant Part No.	Machine Serial Number	Description	Qty.
1	87482	(000000-003545 )	Contactactor, 36vdc, Spdt	2
2	71026	(000000-003545 )	Screw, Hex, M04 X 0.7 X 20, Fmg	8
3	02850	(000000-003545 )	Nut, Hex, Lock, M04 X 0.7, NI	8
4	86375	(000000-003545 )	Contactactor, 36vdc, [Spno]	2
5	76062	(000000-003545 )	Insulator, Panel	4
6	87507	(000000-003545 )	Busbar, Fuse, .6 0.6w 0.8h 2.0l	2
7	386348	(000000-003545 )	Fuse, 200amp	1
8	32490	(000000-003545 )	Washer, Flt, .25 Std	4
9	19314	(000000-003545 )	Screw, Hex, .25-20 X 0.38, 5	6
10	19312	(000000-003545 )	Nut, Hex, Std, .25-20	2
11	41702	(000000-003545 )	Rod, Thrd, Full, .25-20 01.5l	2
12	87483	(000000-003545 )	Busbar, .06 0.6w 2.5l 2/.28h	1
13	386810	(000000-003545 )	Contactactor, 36vdc	7
14	32483	(000000-003545 )	Washer, Flt, .25 Sae	20
15	06942	(000000-003545 )	Screw, Hex, M06 X 1.0 X 16, 8.8	14
16	08708	(000000-003545 )	Nut, Hex, Lock, M06 X 1.0, NI	7
17	32980	(000000-003545 )	Washer, Lock, Int, #10	14
18	19066	(000000-003545 )	Washer, Flt, #10	14
19	01713	(000000-003545 )	Nut, Hex, Std, #10-32, 2	14
20	32984	(000000-003545 )	Washer, Lock, Int, .31	14
21	39349	(000000-003545 )	Washer, Flt, .31 Sae	14
22	01715	(000000-003545 )	Nut, Hex, Std, .31-24	14
23	386303	(000000-003545 )	Controller, Motor, 36vdc, 1205	1
24	07790	(000000-003545 )	Nut, Hex, Flng, M06 X 1.0	4
25	81922	(000000-003545 )	Module	1
26	06946	(000000-003545 )	Screw, Hex, M06 x 1.0 x 35, 8.8	1
27	32491	(000000-003545 )	Washer, Flt, .31 Std	1
28	387452	(000000-003545 )	Plate, Mtg, Contactactor	1
29	41342	(000000-003545 )	Screw, Hex, M08 X 1.25 X 40, 8.8	2
30	32982	(000000-003545 )	Washer, Lock, Int, .25	9
31	87349	(000000-003545 )	Resistor, 040.00ohm, 40watt	1
32	01683	(000000-003545 )	Washer, Flt, #10 Ss	2
33	12312	(000000-003545 )	Screw, Hex, M05 X 0.8 X 12, 8.8	2
34	06549	(000000-003545 )	Nut, Hex, Lock, M05 X 0.8, NI	2

**Fig. 51 - Electrical Control Box Contactor Group (003546- )**

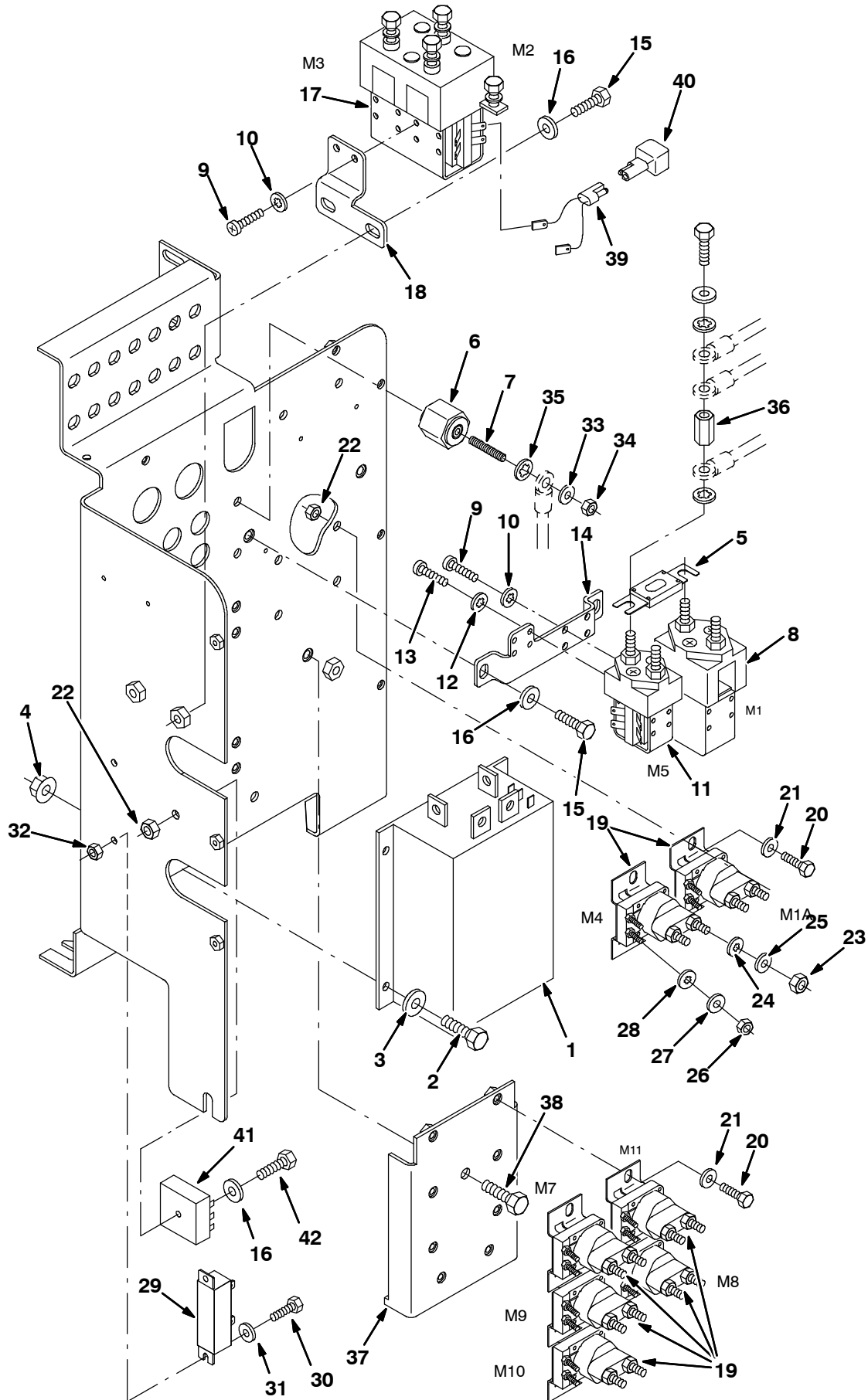


Fig. 51 - Electrical Control Box Contactor Group (003546- )

Ref.	Tennant Part No.	Machine Serial Number	Description	Qty.
1	386303	(003446-	) Controller, Motor, 36vdc400A	1
2	06942	(003446-	) Screw, Hex, M 6 X 1.0 X 16, 8.8	4
3	32483	(003446-	) Washer, Flat, 0.25 Sae	4
4	07790	(003446-	) Nut, Hex, Flng, M06 X 1.0	4
5	386348	(003446-	) Fuse, 200amp	1
6	76062	(003446-	) Insulator, Panel & Switchboard	1
7	41702	(003446-	) Rod, Thrd, Full, .25-20 01.5l	1
8	1007337	(003446-	) Contactor, 36vdc, 200a, Spst	1
9	06931	(003446-	) Screw, Pan, M 5 X 0.8 X 6, 4.8	6
10	07514	(003446-	) Washer, Lock, Int, #10, Ss	6
11	387639	(003446-	) Contactor, 36vdc, 100a, Spst	1
12	02938	(003446-	) Washer, Lock, Int, #08, Ss	4
13	06925	(003446-	) Screw, Pan, M 4 X 0.7 X 6, 4.8	4
14	1007344	(003446-	) Bracket, Mtg, Controller, Sgl	1
15	12274	(003446-	) Screw, Hex, M 6 X 1.0 X 20, NI	4
16	32491	(003446-	) Washer, Flat, 0.31 Std	5
17	1007349	(003446-	) Contactor, 36vdc, 200a, Dpdt	1
18	1007353	(003446-	) Bracket, Mtg, Relay	1
19	386810	(003446-	) Relay, 36vdc, 100a, Sp N/O [White]	7
20	06942	(003446-	) Screw, Hex, M 6 X 1.0 X 16, 8.8	8
21	32483	(003446-	) Washer, Flat, 0.25 Sae	8
22	08708	(003446-	) Nut, Hex, Lock, M 6 X 1.0, NI	5
23	01715	(003446-	) Nut, Hex, Std, .31-24	4
24	32984	(003446-	) Washer, Lock, Int, .31	4
25	39349	(003446-	) Washer, Flat, 0.31 Sae	4
26	01713	(003446-	) Nut, Hex, Std, #10-32, 2	4
27	19066	(003446-	) Washer, Flt, #10	4
28	32980	(003446-	) Washer, Lock, Int, #10	4
29	87349	(003446-	) Resistor, 040.00 Ohm, 40watt	1
30	12312	(003446-	) Screw, Hex, M 5 X 0.8 X 12, 8.8	2
31	01683	(003446-	) Washer, Flat, #10 Ss	2
32	06549	(003446-	) Nut, Hex, Lock, M 5 X 0.8, NI	2
33	32490	(003446-	) Washer, Flat, 0.25 Std	1
34	19312	(003446-	) Nut, Hex, Std, .25-20	1
35	32982	(003446-	) Washer, Lock, Int, .25	1
36	387648	(003446-	) Nut, Hex, Cplg, M08X1.25	1
37	387452	(003446-	) Plate, Mtg, Contactor	1
38	41342	(003446-	) Screw, Hex, M08 X 1.25 X 40, 8.8	2
39	370156	(003446-	) Harness. Switch, Key, Diode	2
40	222290	(003446-	) Diode, Ele, Plug	2
41	81922	(003446-	) Timer, 36vdc, 5a [25hz Pwm, 70%Duty]	1
42	06946	(003446-	) Screw, Hex, M6 X 1.00 X 35, 8.8	1

Fig. 52 - Electrical Control Box Wires Group (000000-003545)

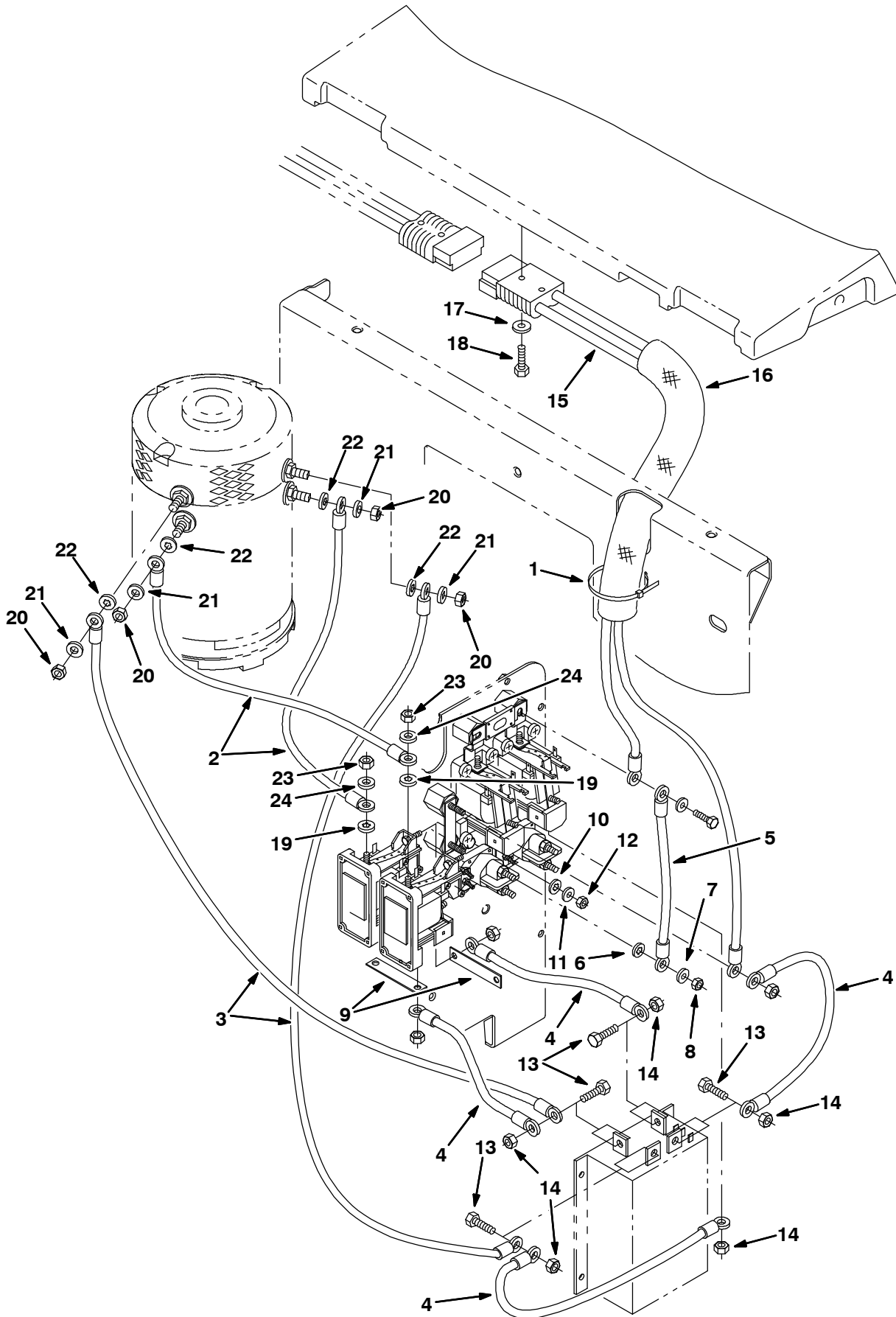




Fig. 52 - Electrical Control Box Wires Group (000000-003545)

Ref.	Tennant Part No.	Machine Serial Number	Description	Qty.
1	32815	(000000-003545 )	Tie, Cable, Nyl, 28.5l .50w 8.0 Max D	4
2	71529	(000000-003545 )	Wire, 04ga 32.0l Blk .31ring /.31ring	1
3	386804	(000000-003545 )	Wire Assy, 02ga 27.0l Blk .34h /.34h	2
4	86393	(000000-003545 )	Wire, 04ga 09.0l Blk .34ring /.28ring	4
5	15846	(000000-003545 )	Wire, 06ga 11.0l Blk .34ring /.28ring	1
6	32984	(000000-003545 )	Washer, Lock, Int, .31	4
7	39348	(000000-003545 )	Washer, Flat, 1.50 Std Hard	4
8	01715	(000000-003545 )	Nut, Hex, Std, .31-24	4
9	87483	(000000-003545 )	Busbar, .06 0.6w 2.5l 2/.28h	2
10	07514	(000000-003545 )	Washer, Lock, Int, #10, Ss	4
11	19066	(000000-003545 )	Washer, Flt, #10	4
12	01713	(000000-003545 )	Nut, Hex, Std, #10-32, 2	4
13	16931	(000000-003545 )	Screw, Hex, M08 X 1.25 X 20, 8.8	4
14	08709	(000000-003545 )	Nut, Hex, Lock, M08 X 1.25, NI	4
15	386610	(000000-003545 )	Harness, Battery, Connecting	1
16	31647	(000000-003545 )	Sleeve, Nyl, #15 14.0l	1
17	01684	(000000-003545 )	Washer, Flt, .25 Ss	2
18	33930	(000000-003545 )	Screw, Hex, M06 X 1.0 X 40, Ss	2
19	32982	(000000-003545 )	Washer, Lock, Int, .25	2
20	39311	(000000-003545 )	Nut, Hex, Std, M08 X 1.25	4
21	32490	(000000-003545 )	Washer, Flt, .25 Std	4
22	32988	(000000-003545 )	Washer, Lock, Int, .38	2
23	41359	(000000-003545 )	Nut, Hex, Std, M06 X 1.0	2
24	32483	(000000-003545 )	Washer, Flt, .25 Sae	4

Fig. 53 - Electrical Control Box Wires Group (003546- )

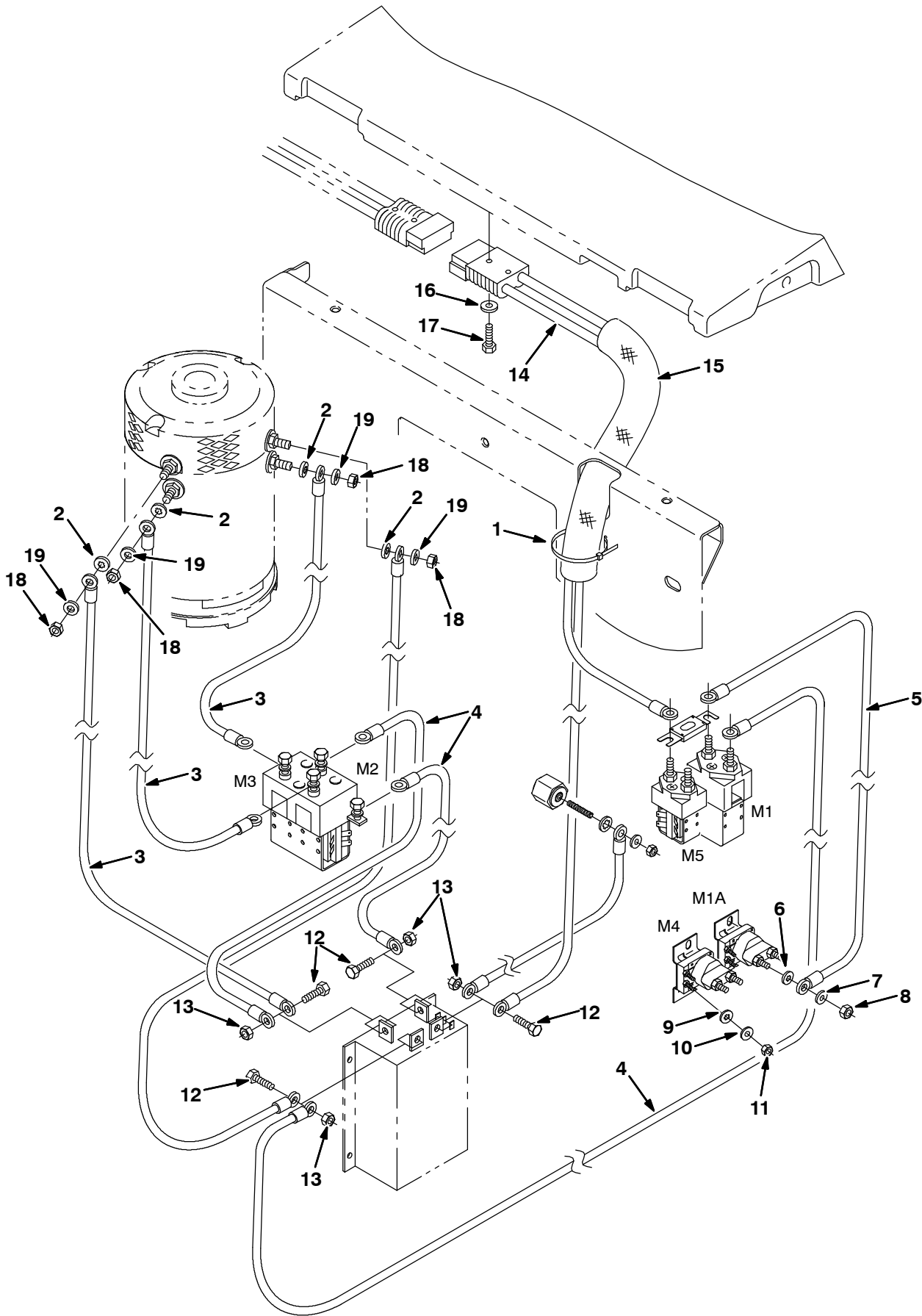


Fig. 53 - Electrical Control Box Wires Group (003546- )

Ref.	Tennant Part No.	Machine Serial Number	Description	Qty.
1	32815	(003546-	) Tie, Cable, Nyl, 28.5l .50w 8.0 Max D	4
2	32988	(003546-	) Washer, Lock, Int, .38	2
3	386804	(003546-	) Wire Assy, 02ga 27.0l Blk .34h /.34h	4
4	387641	(003546-	) Wire Assy, 02ga, 10.0l, Blk	4
5	63740	(003546-	) Wire, 06Ga 09.0L Blk .34 Ring/.34 Ring	1
6	32984	(003546-	) Washer, Lock, Int, .31	4
7	39348	(003546-	) Washer, Flat, 1.50 Std Hard	4
8	01715	(003546-	) Nut, Hex, Std, .31-24	4
9	07514	(003546-	) Washer, Lock, Int, #10, Ss	4
10	19066	(003546-	) Washer, Flt, #10	4
11	01713	(003546-	) Nut, Hex, Std, #10-32, 2	4
12	16931	(003546-	) Screw, Hex, M 8 X 1.25 X 20, 8.8	4
13	08709	(003546-	) Nut, Hex, Lock, M 8 X 1.25 NI	4
14	386610	(003546-	) Harness, Battery, Connecting	1
15	31647	(003546-	) Sleeve, Nyl, #15 14.0l	1
16	01684	(003546-	) Washer, Flat, 0.25 Ss	2
17	33930	(003546-	) Screw, Hex, M 6 X 1.0 X 40, Ss	2
18	39311	(003546-	) Nut, Hex, Std, M08 X 1.25	4
19	32490	(003546-	) Washer, Flat, 0.25 Std	4

Fig. 54 - Electrical Circuit Board Group

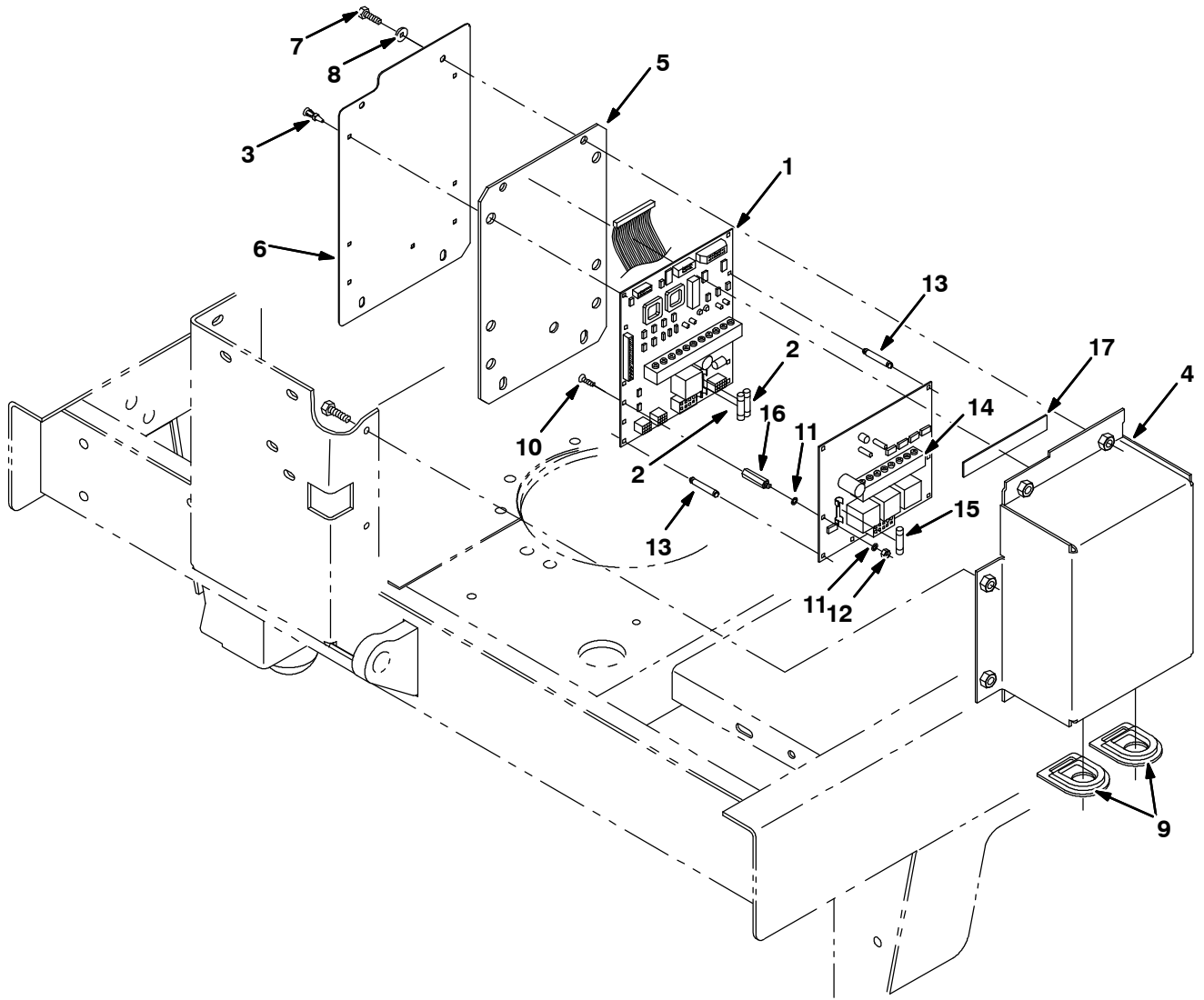
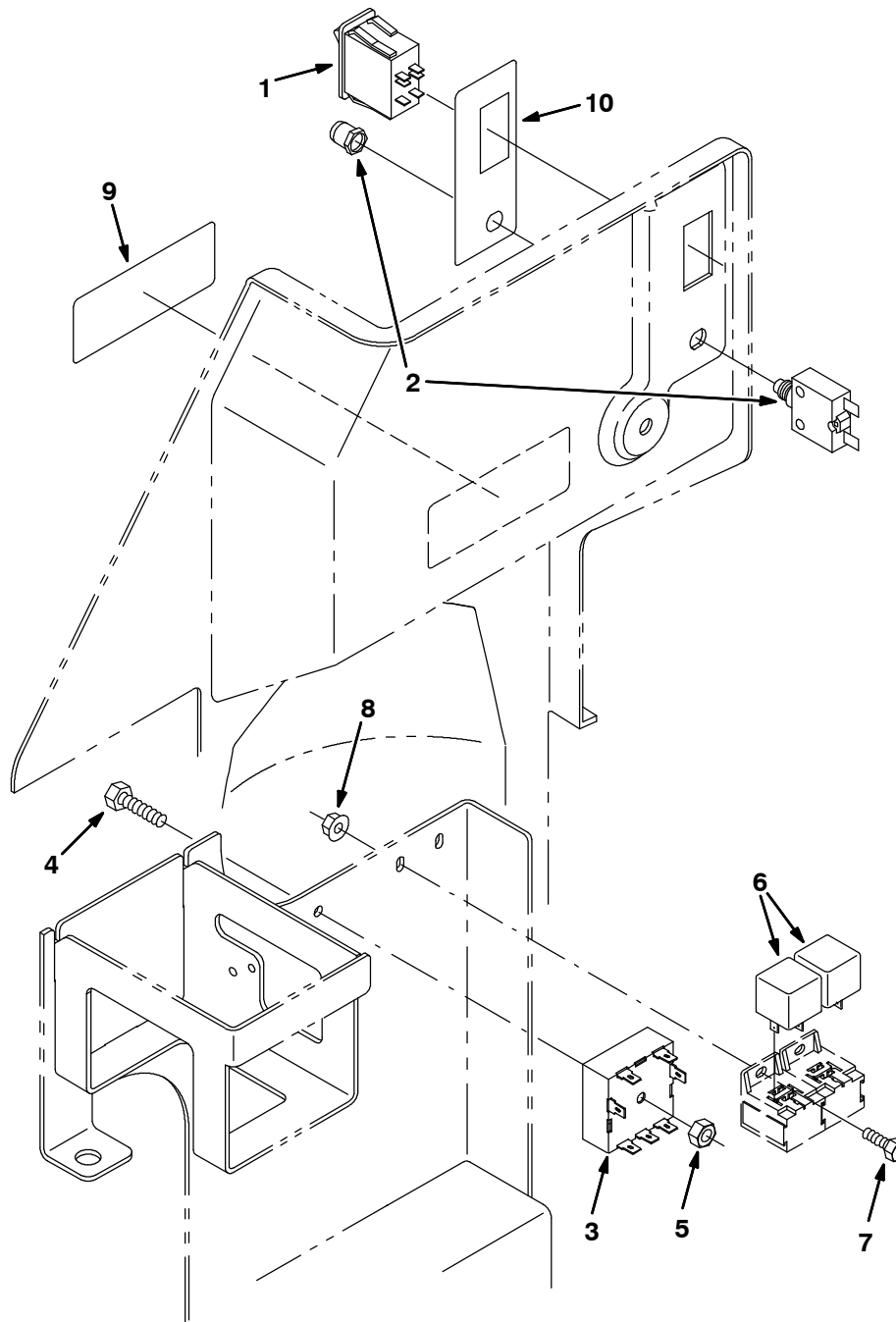


Fig. 54 - Electrical Circuit Board Group

	Ref.	Tennant Part No.	Machine Serial Number	Description	Qty.
▽	1	374204	(000000-	) Circuitboard, Assy, [7300/8300]	1
▲	2	603103000	(000000-	) Fuse 20a,3ag,Slo-blo	2
	3	15840	(000000-	) Pin, Prong	7
	4	386922	(000000-	) Box, Circuitboard	1
	5	386921	(000000-	) Gasket	1
	6	386920	(000000-	) Cover	1
	7	06942	(000000-	) Screw, Hex, M06 X 1.0 X 16, 8.8	6
	8	32483	(000000-	) Washer, Flt, .25 Sae	4
	9	386563	(000000-	) Grommet, Rbr, 1.0b	2
	10	25538	(000000-	) Screw, Flat, #06-32 X 0.38, Al	2
	11	41401	(000000-	) Washer, Lock, Int, #06, Ss	4
	12	75939	(000000-	) Nut, Hex, Lock, #06-32, NI	2
	13	386307	(000000-	) Stand-Off, 1.25, Plstc	5
▽	14	386308	(000000-	) Circuitboard, Sweeper, [8300]	1
▲	15	45595	(000000-	) Fuse, .25d 10a 32vdc	1
	16	386806	(000000-	) Stand-Off, 1.25, Metal	2
	17	387529	(000000-	) Tape, Foam	1

# STANDARD PARTS

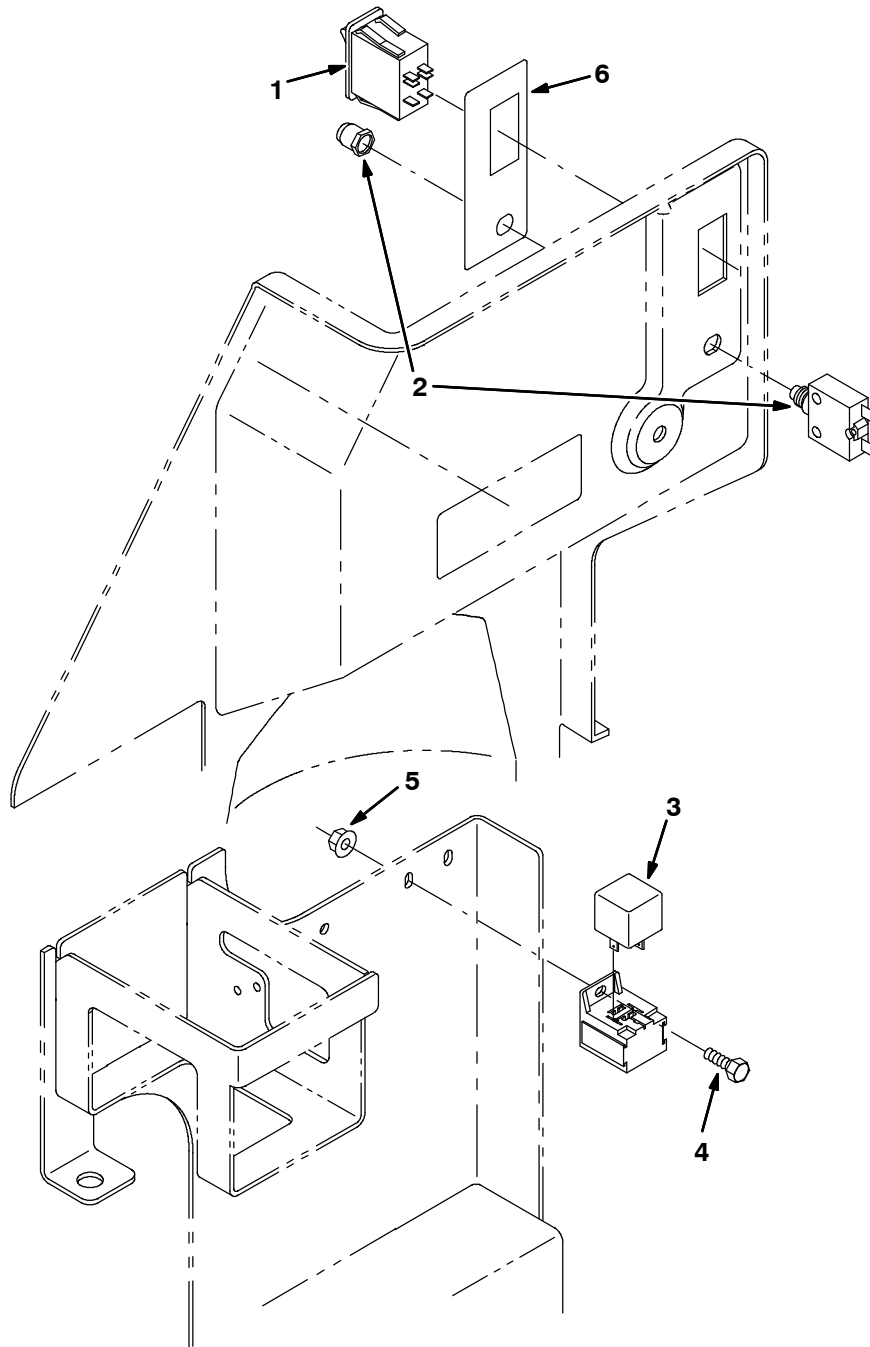
Fig. 55 - Electrical Group, FaST (000000-004791)



353307 - ALL

Ref.	Tennant Part No.	Machine Serial Number	Description	Qty.
1	377084	(000000-004791 )	Switch, Rocker, 36vdc 05a Progressive	1
2	383721	(000000-004791 )	Circuitbreaker, 10.0a	1
3	1028580	(000000-004791 )	Timer, 9-41vdc, Recycling	1
4	06945	(000000-004791 )	Screw, Hex, M6 X 1.0 X 30, 8.8	1
5	08708	(000000-004791 )	Nut, Hex, Lock, M 6 X 1.0, NI	1
6	398526	(000000-004791 )	Relay, 36vdc, 05a, Spdt N/O [Greenwich]	2
7	09244	(000000-004791 )	Screw, Hex, M5 X 0.8 X 16, 8.8	2
8	07789	(000000-004791 )	Nut, Hex, Flng, M5 X 0.8	2
9	1005416	(000000-004791 )	Label, Fast	1
10	1011276	(000000-004791 )	Label, Switch, Fast	1

Fig. 56 - Electrical Group, FaST (004792- )



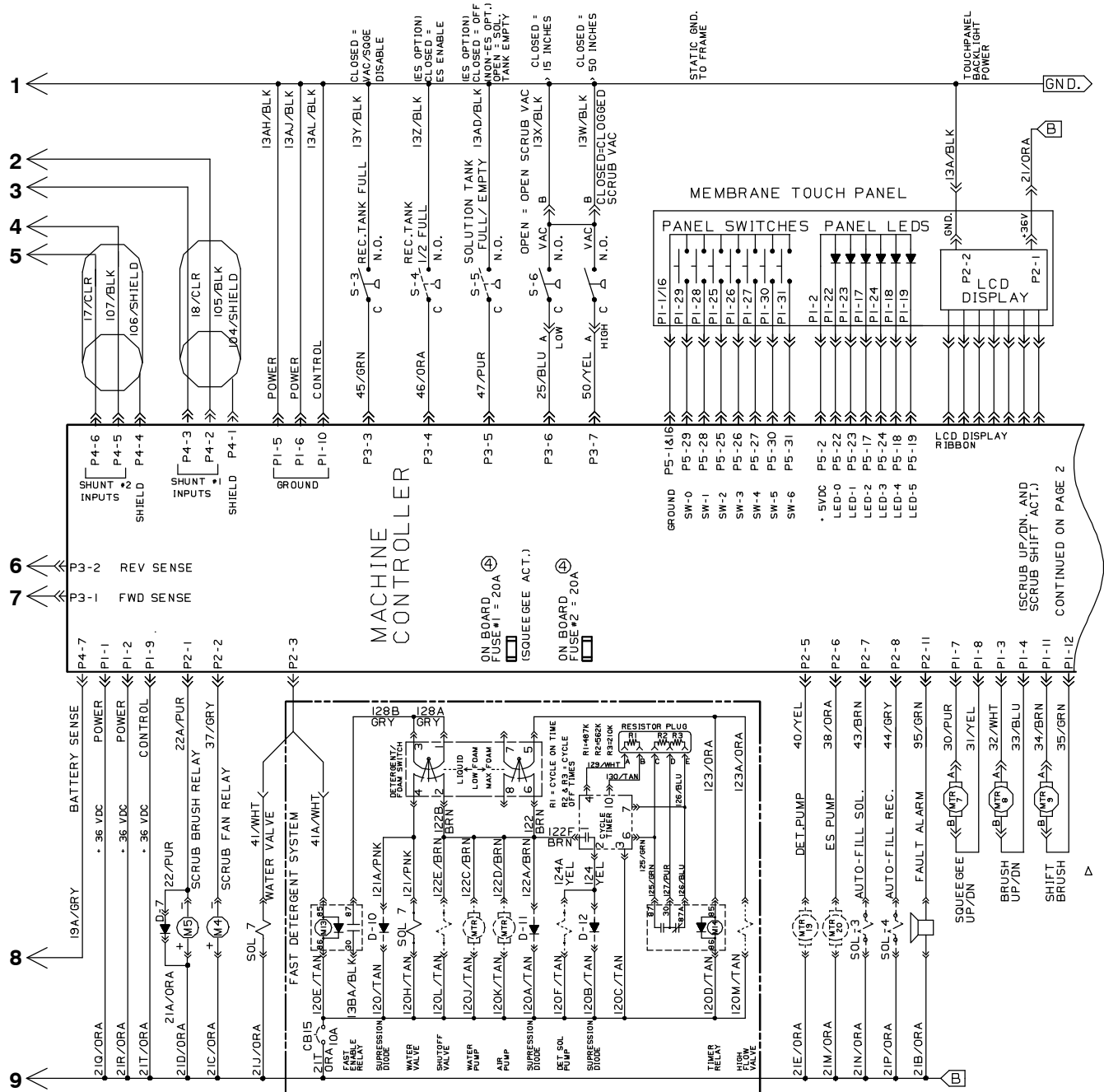
354204- 7300

Ref.	Tenant Part No.	Machine Serial Number	Description	Qty.
1	377084	(004792- )	Switch, Rocker, Prgrsv	1
2	383720	(004792- )	Circuitbreaker, 05.0A, Resetable	1
3	398526	(004792- )	Relay, 36Vdc, 005A, Spdt No [Greenwich]	1
4	12312	(004792- )	Screw, Hex, M5 X 0.80 X 12, 8.8	1
5	19066	(004792- )	Washer, Flat, 10	1
6	1011276	(004792- )	Label, Switch [7300/8300 FaST]	1





Fig. 57 - Electrical Schematic (00000-004791)

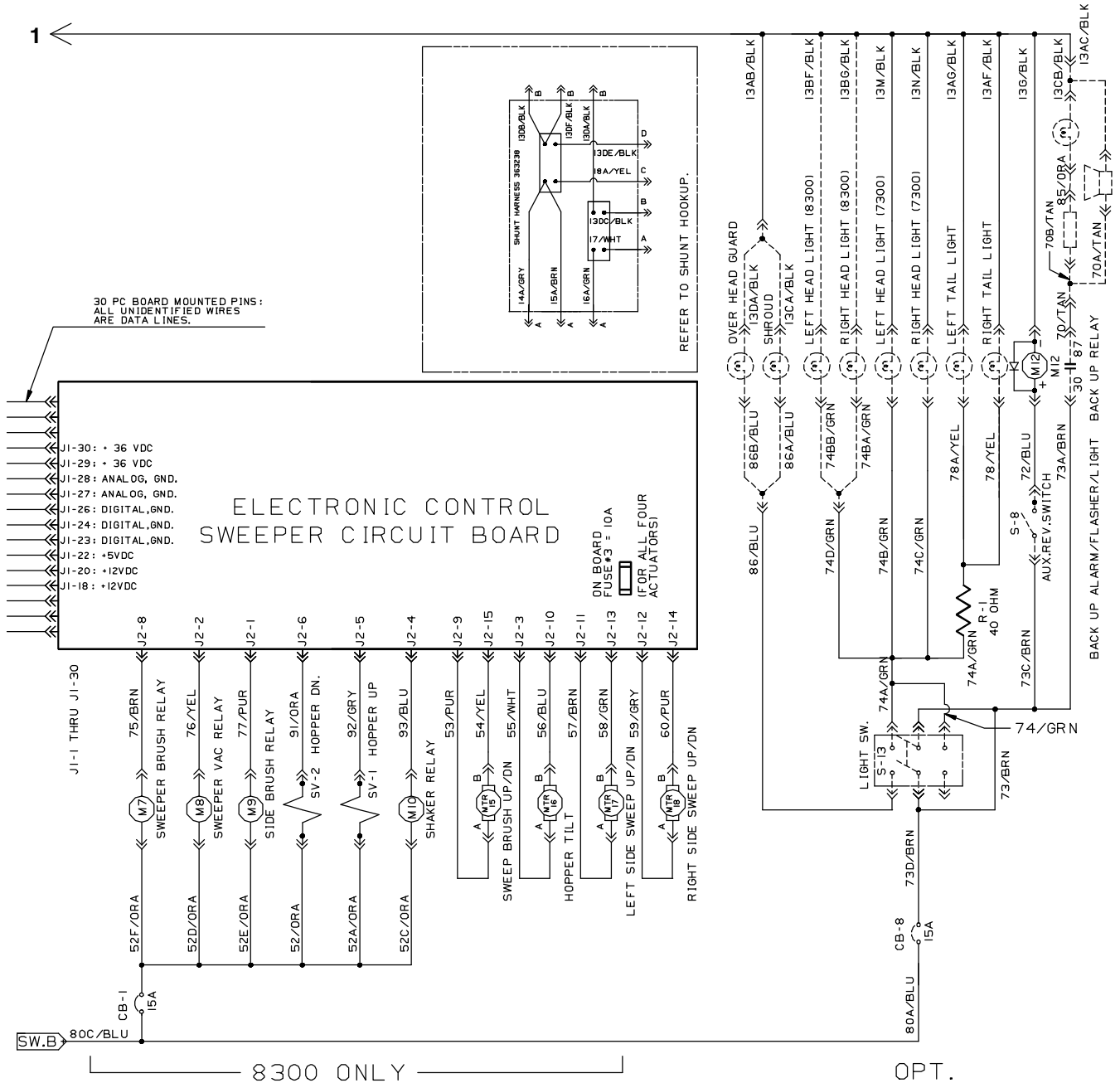


CB	CIRCUIT BREAKER	FU	FUSE
MTR	MOTOR	D	DIODE
P	CONNECTOR PIN	M	RELAY COIL
S	SWITCH	R	RESISTOR
ARM	ARMATURE	HM	HOURLMETER
N.O.	NORM. OPEN CONTACT	C	COMMON CONTACT
SV	HYD. SOLENOID VALVE	SOL.	ELE. MECH. VALVE

353346, 386300



Fig. 57 - Electrical Schematic (000000-004791)

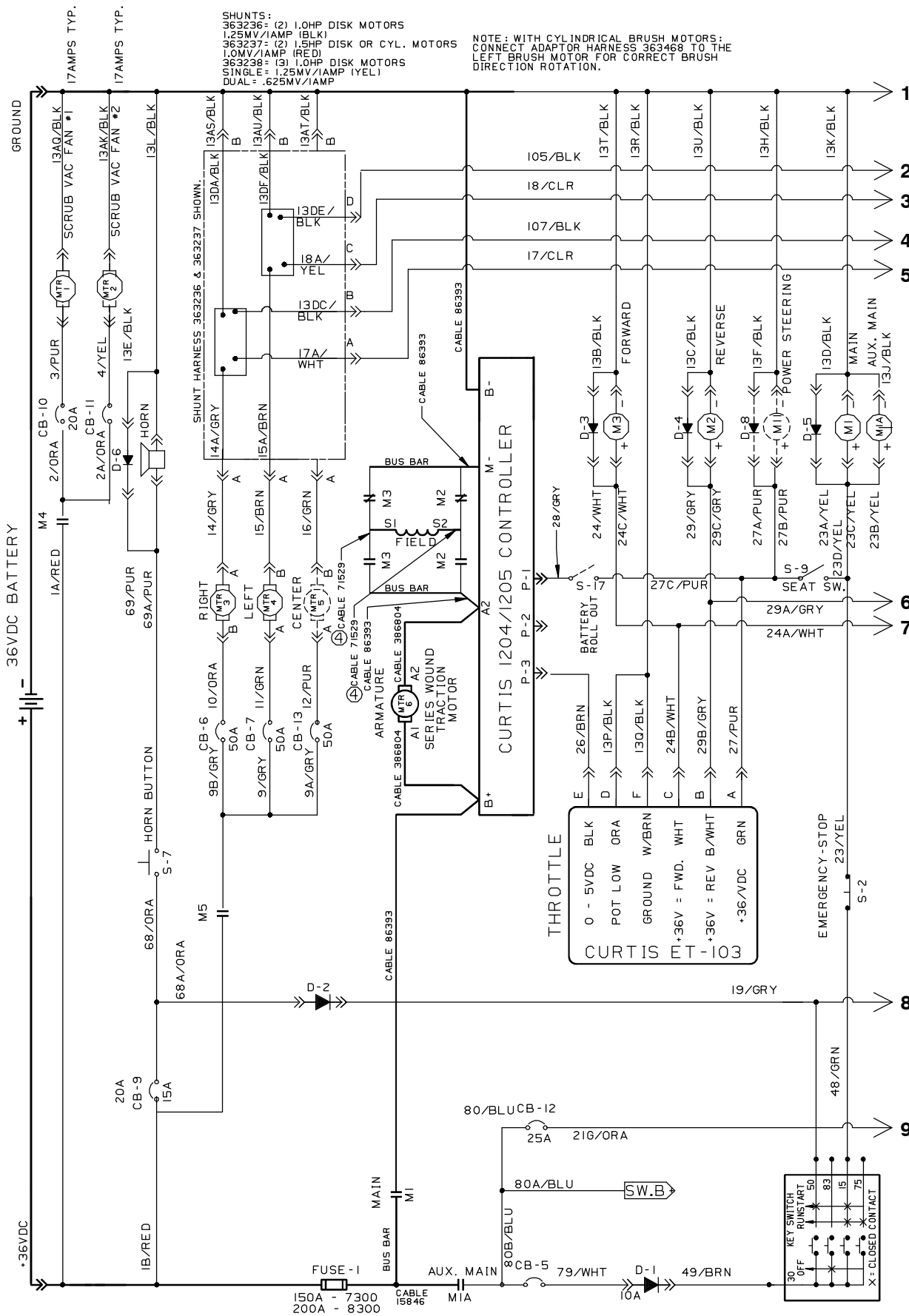


LEGEND

CB	CIRCUIT BREAKER	FU	FUSE
MTR	MOTOR	D	DIODE
P	CONNECTOR PIN	M	RELAY COIL
S	SWITCH	R	RESISTOR
ARM	ARMATURE	HM	HOURMETER
N.O.	NORM. OPEN CONTACT	C	COMMON CONTACT

353346, 386300

Fig. 58 - Electrical Schematic (004792- )



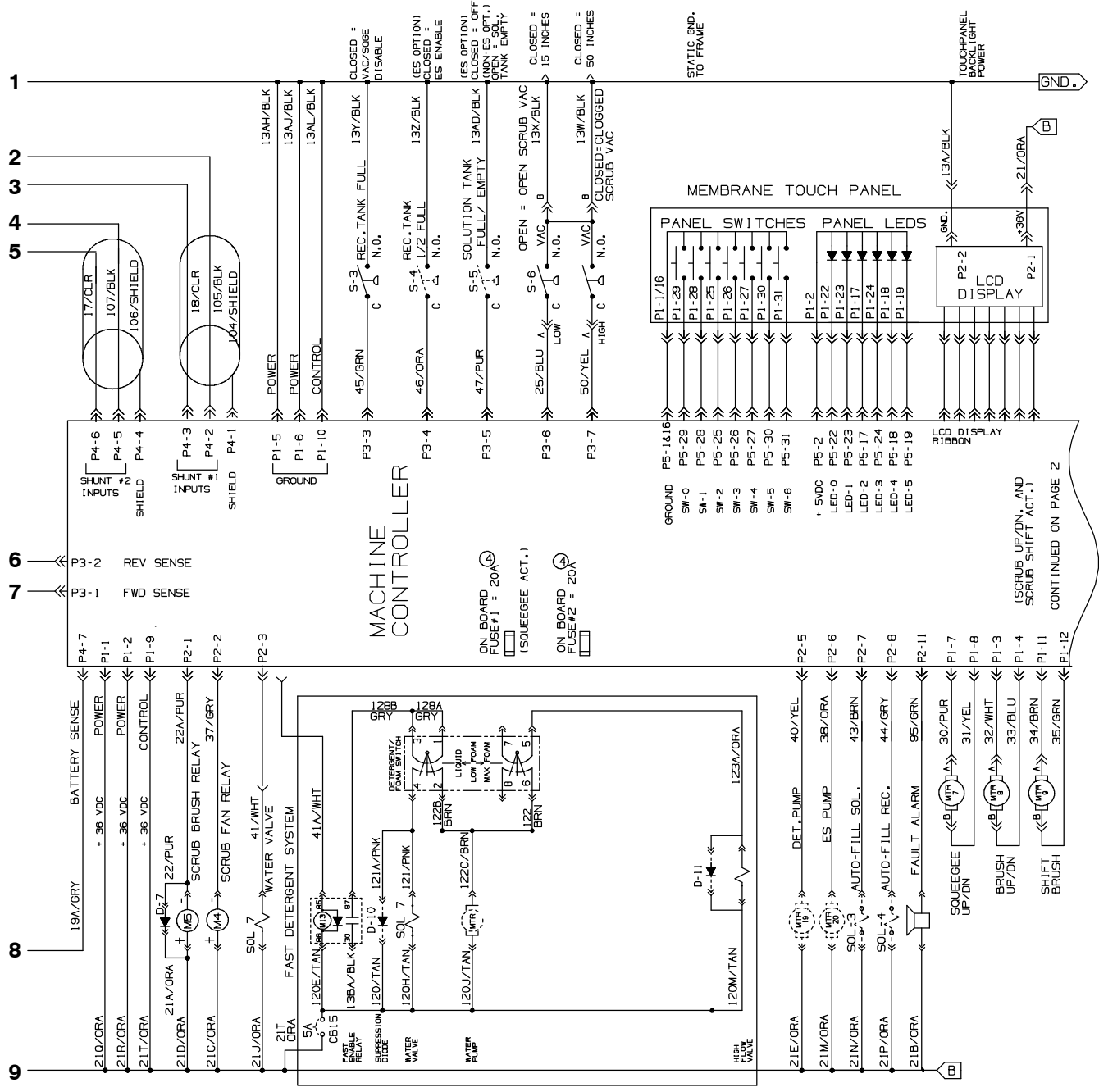
SHUNTS: (1) 363236: (2) 1.0HP DISK MOTORS  
 1.25MV/IAMP (BLK)  
 363237: (2) 1.5HP DISK OR CYL. MOTORS  
 1.0MV/IAMP (RED)  
 363238: (3) 1.0HP DISK MOTORS  
 95IN/6E: 1.25MV/IAMP (YEL)  
 DUAL: 6.25MV/IAMP

NOTE: WITH CYLINDRICAL BRUSH MOTORS:  
 CONNECT ADAPTOR HARNESS 363468 TO THE  
 LEFT BRUSH MOTOR FOR CORRECT BRUSH  
 DIRECTION ROTATION.

150A - 7300  
 200A - 8300  
 CABLE 15846  
 M1A

353346, 386300

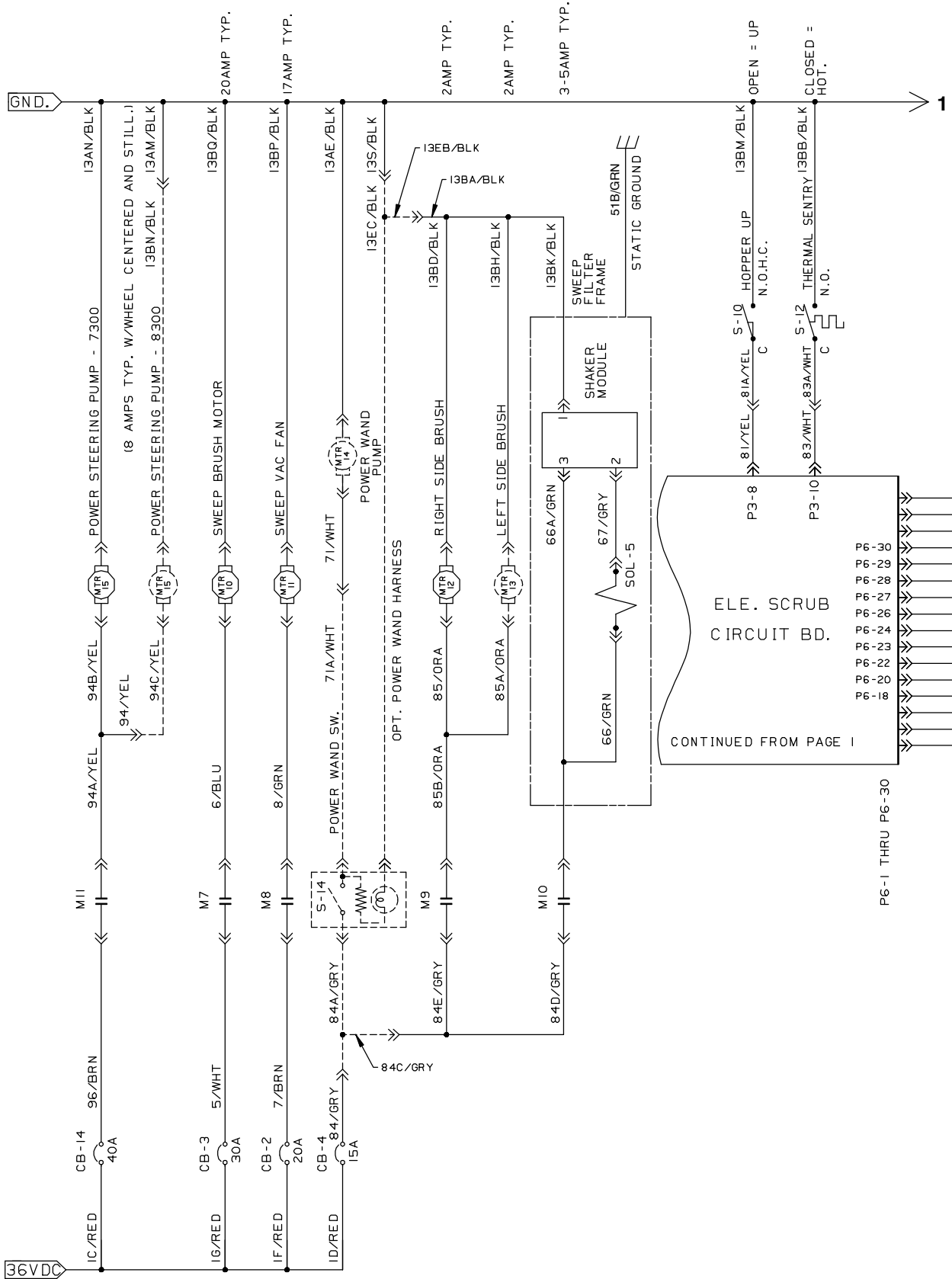
Fig. 58 - Electrical Schematic (004792- )



CB	CIRCUIT BREAKER	FU	FUSE
MTR	MOTOR	D	DIODE
P	CONNECTOR PIN	M	RELAY COIL
S	SWITCH	R	RESISTOR
ARM	ARMATURE	HM	HOURMETER
N.O.	NORM. OPEN CONTACT	C	COMMON CONTACT
SV	HYD. SOLENOID VALVE	SOL.	ELE. MECH. VALVE

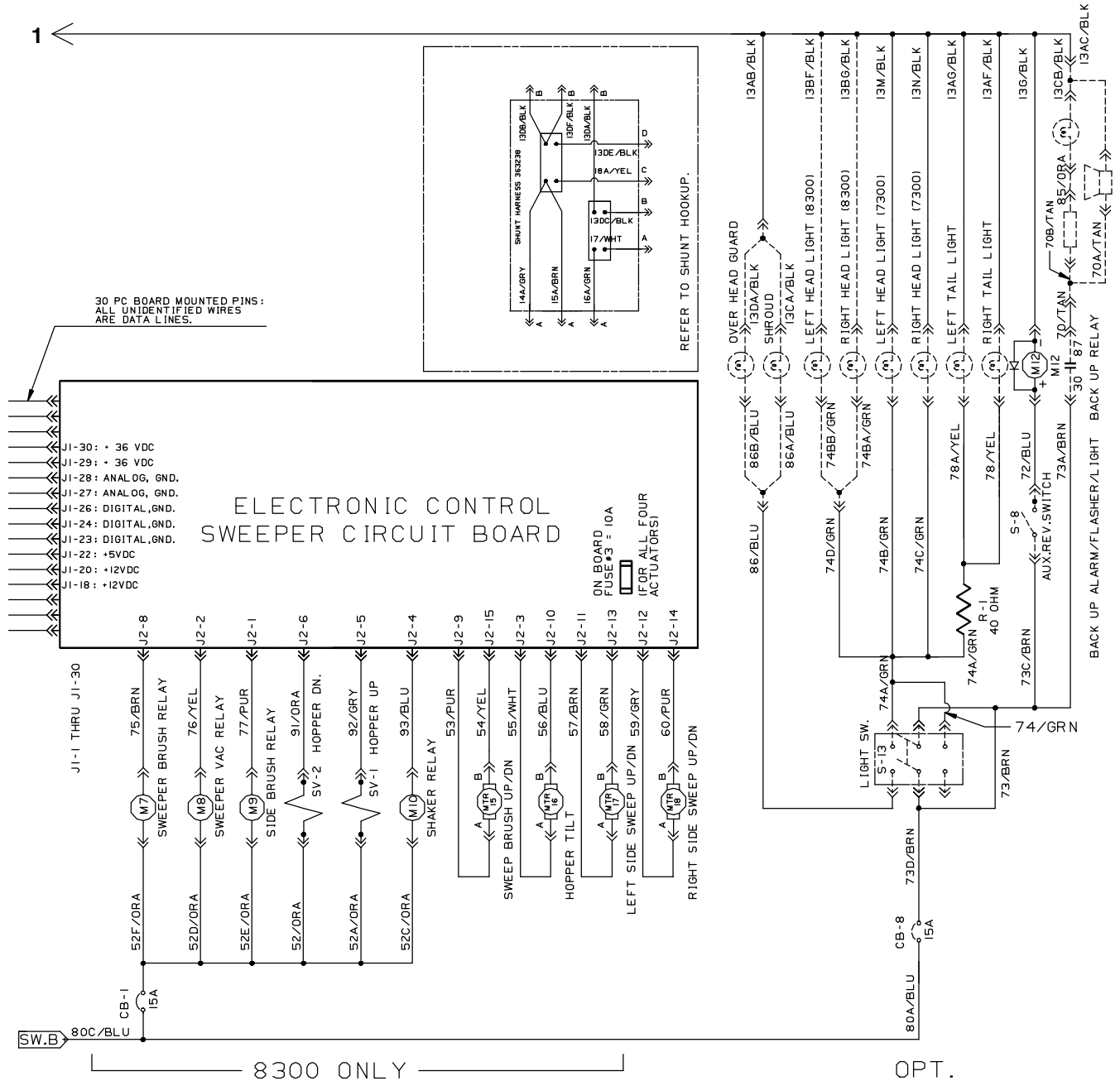
353346, 386300

Fig. 58 - Electrical Schematic (004792- )



8300 ONLY OPT.

Fig. 58 - Electrical Schematic (004792- )



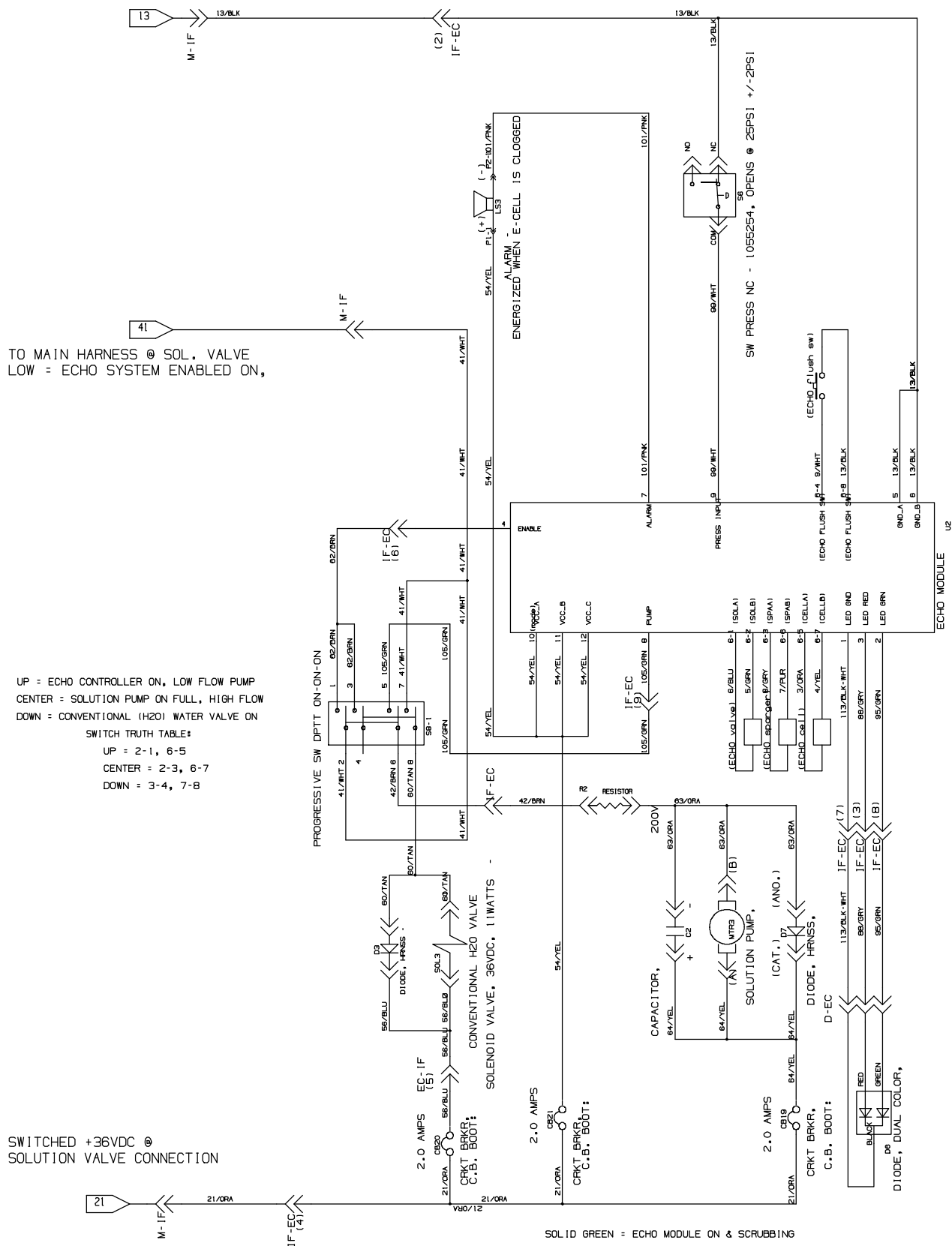
LEGEND

CB	CIRCUIT BREAKER	FU	FUSE
MTR	MOTOR	D	DIODE
P	CONNECTOR PIN	M	RELAY COIL
S	SWITCH	R	RESISTOR
ARM	ARMATURE	HM	HOURLMETER
N.O.	NORM.OPEN CONTACT	C	COMMON CONTACT

353346, 386300

## Fig. 58 - Electrical Schematic (004792- )

GROUND @ NEG. STANDOFF



353346, 386300





Fig. 59 - Electrical Wire Harness Group

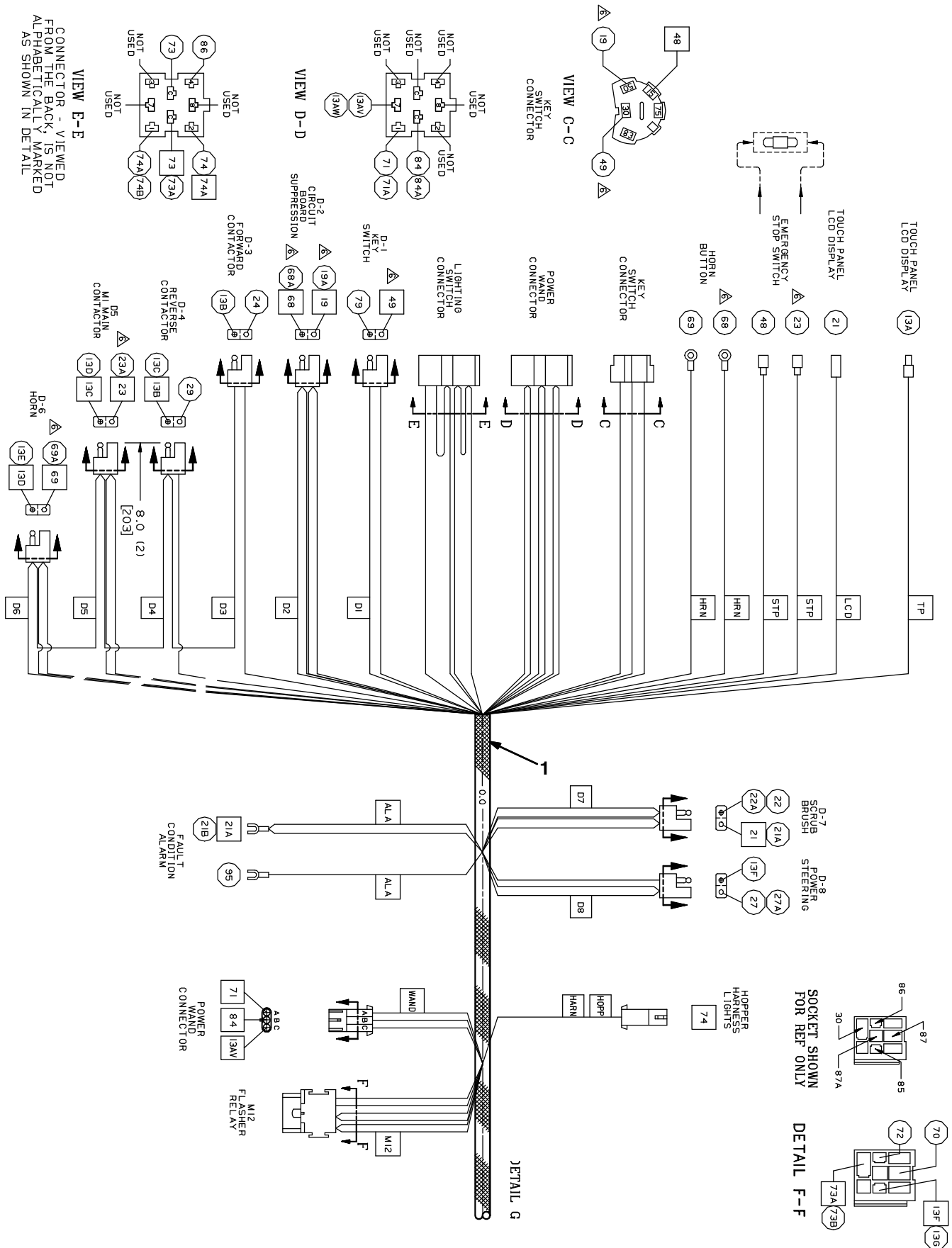
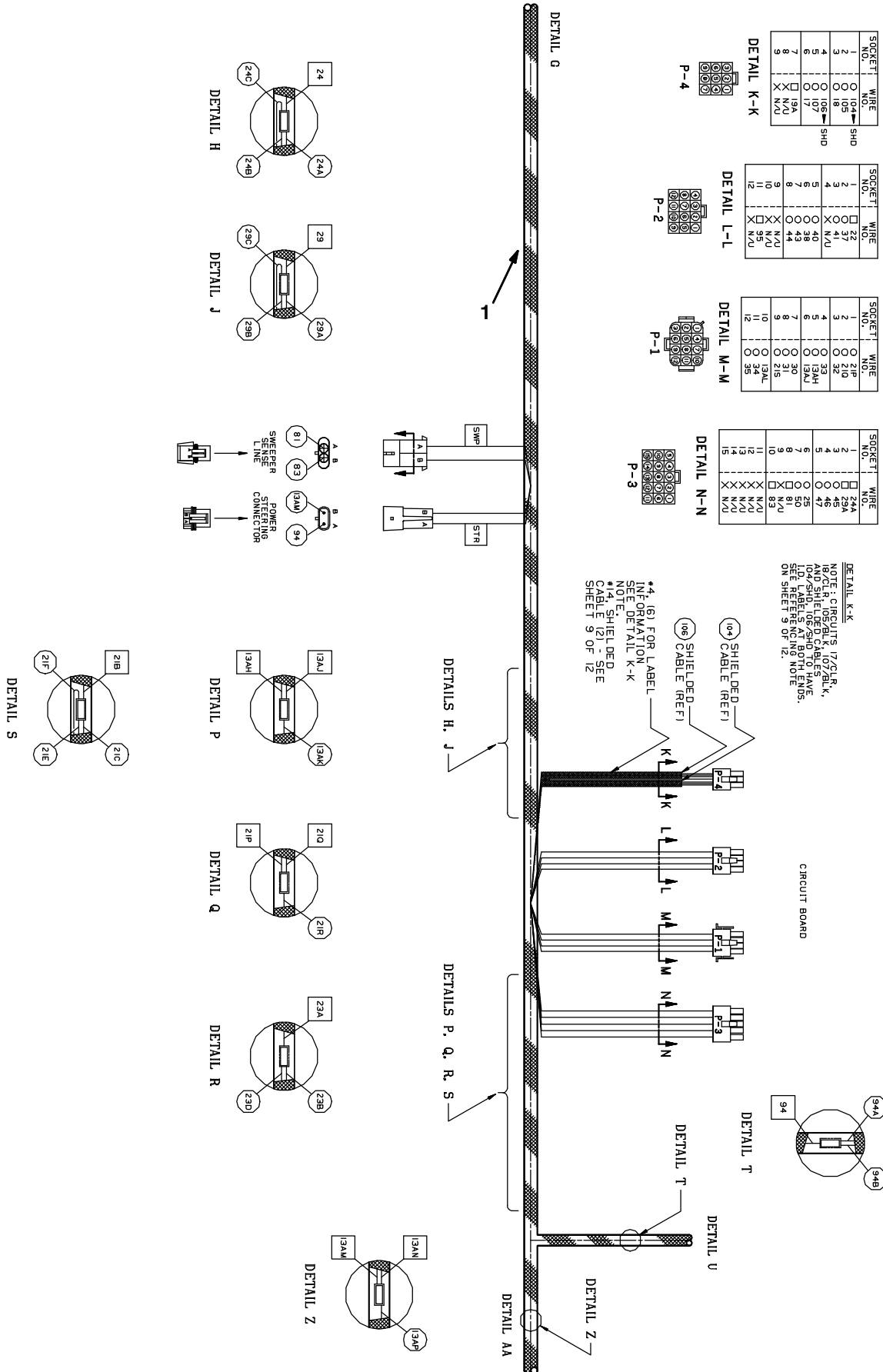


Fig. 59 - Electrical Wire Harnesses Group



DETAIL K-K

SOCKET NO.	WIRE NO.	SHD
2	105	SHD
3	106	SHD
4	107	SHD
5	108	SHD
6	109	SHD
7	110	SHD
8	111	SHD
9	112	SHD

DETAIL L-L

SOCKET NO.	WIRE NO.	SHD
2	37	SHD
3	41	N/U
4	42	N/U
5	43	N/U
6	44	N/U
7	45	N/U
8	46	N/U
9	47	N/U
10	48	N/U
11	49	N/U
12	50	N/U

DETAIL M-M

SOCKET NO.	WIRE NO.	SHD
2	210	SHD
3	32	SHD
4	33	SHD
5	34	SHD
6	35	SHD
7	36	SHD
8	37	SHD
9	38	SHD
10	39	SHD
11	40	SHD
12	41	SHD

DETAIL N-N

SOCKET NO.	WIRE NO.	SHD
2	29A	SHD
3	45	SHD
4	46	SHD
5	47	SHD
6	48	SHD
7	49	SHD
8	50	SHD
9	51	SHD
10	52	SHD
11	53	SHD
12	54	SHD
13	55	SHD
14	56	SHD
15	57	SHD

DETAIL K-K  
 NOTE: CIRCUITS 17, 21, 22, 23, 24, 25, 26, 27, 28, 29, 30, 31, 32, 33, 34, 35, 36, 37, 38, 39, 40, 41, 42, 43, 44, 45, 46, 47, 48, 49, 50, 51, 52, 53, 54, 55, 56, 57, 58, 59, 60, 61, 62, 63, 64, 65, 66, 67, 68, 69, 70, 71, 72, 73, 74, 75, 76, 77, 78, 79, 80, 81, 82, 83, 84, 85, 86, 87, 88, 89, 90, 91, 92, 93, 94, 95, 96, 97, 98, 99, 100, 101, 102, 103, 104, 105, 106, 107, 108, 109, 110, 111, 112, 113, 114, 115, 116, 117, 118, 119, 120, 121, 122, 123, 124, 125, 126, 127, 128, 129, 130, 131, 132, 133, 134, 135, 136, 137, 138, 139, 140, 141, 142, 143, 144, 145, 146, 147, 148, 149, 150, 151, 152, 153, 154, 155, 156, 157, 158, 159, 160, 161, 162, 163, 164, 165, 166, 167, 168, 169, 170, 171, 172, 173, 174, 175, 176, 177, 178, 179, 180, 181, 182, 183, 184, 185, 186, 187, 188, 189, 190, 191, 192, 193, 194, 195, 196, 197, 198, 199, 200, 201, 202, 203, 204, 205, 206, 207, 208, 209, 210, 211, 212, 213, 214, 215, 216, 217, 218, 219, 220, 221, 222, 223, 224, 225, 226, 227, 228, 229, 230, 231, 232, 233, 234, 235, 236, 237, 238, 239, 240, 241, 242, 243, 244, 245, 246, 247, 248, 249, 250, 251, 252, 253, 254, 255, 256, 257, 258, 259, 260, 261, 262, 263, 264, 265, 266, 267, 268, 269, 270, 271, 272, 273, 274, 275, 276, 277, 278, 279, 280, 281, 282, 283, 284, 285, 286, 287, 288, 289, 290, 291, 292, 293, 294, 295, 296, 297, 298, 299, 300, 301, 302, 303, 304, 305, 306, 307, 308, 309, 310, 311, 312, 313, 314, 315, 316, 317, 318, 319, 320, 321, 322, 323, 324, 325, 326, 327, 328, 329, 330, 331, 332, 333, 334, 335, 336, 337, 338, 339, 340, 341, 342, 343, 344, 345, 346, 347, 348, 349, 350, 351, 352, 353, 354, 355, 356, 357, 358, 359, 360, 361, 362, 363, 364, 365, 366, 367, 368, 369, 370, 371, 372, 373, 374, 375, 376, 377, 378, 379, 380, 381, 382, 383, 384, 385, 386, 387, 388, 389, 390, 391, 392, 393, 394, 395, 396, 397, 398, 399, 400, 401, 402, 403, 404, 405, 406, 407, 408, 409, 410, 411, 412, 413, 414, 415, 416, 417, 418, 419, 420, 421, 422, 423, 424, 425, 426, 427, 428, 429, 430, 431, 432, 433, 434, 435, 436, 437, 438, 439, 440, 441, 442, 443, 444, 445, 446, 447, 448, 449, 450, 451, 452, 453, 454, 455, 456, 457, 458, 459, 460, 461, 462, 463, 464, 465, 466, 467, 468, 469, 470, 471, 472, 473, 474, 475, 476, 477, 478, 479, 480, 481, 482, 483, 484, 485, 486, 487, 488, 489, 490, 491, 492, 493, 494, 495, 496, 497, 498, 499, 500, 501, 502, 503, 504, 505, 506, 507, 508, 509, 510, 511, 512, 513, 514, 515, 516, 517, 518, 519, 520, 521, 522, 523, 524, 525, 526, 527, 528, 529, 530, 531, 532, 533, 534, 535, 536, 537, 538, 539, 540, 541, 542, 543, 544, 545, 546, 547, 548, 549, 550, 551, 552, 553, 554, 555, 556, 557, 558, 559, 560, 561, 562, 563, 564, 565, 566, 567, 568, 569, 570, 571, 572, 573, 574, 575, 576, 577, 578, 579, 580, 581, 582, 583, 584, 585, 586, 587, 588, 589, 590, 591, 592, 593, 594, 595, 596, 597, 598, 599, 600, 601, 602, 603, 604, 605, 606, 607, 608, 609, 610, 611, 612, 613, 614, 615, 616, 617, 618, 619, 620, 621, 622, 623, 624, 625, 626, 627, 628, 629, 630, 631, 632, 633, 634, 635, 636, 637, 638, 639, 640, 641, 642, 643, 644, 645, 646, 647, 648, 649, 650, 651, 652, 653, 654, 655, 656, 657, 658, 659, 660, 661, 662, 663, 664, 665, 666, 667, 668, 669, 670, 671, 672, 673, 674, 675, 676, 677, 678, 679, 680, 681, 682, 683, 684, 685, 686, 687, 688, 689, 690, 691, 692, 693, 694, 695, 696, 697, 698, 699, 700, 701, 702, 703, 704, 705, 706, 707, 708, 709, 710, 711, 712, 713, 714, 715, 716, 717, 718, 719, 720, 721, 722, 723, 724, 725, 726, 727, 728, 729, 730, 731, 732, 733, 734, 735, 736, 737, 738, 739, 740, 741, 742, 743, 744, 745, 746, 747, 748, 749, 750, 751, 752, 753, 754, 755, 756, 757, 758, 759, 760, 761, 762, 763, 764, 765, 766, 767, 768, 769, 770, 771, 772, 773, 774, 775, 776, 777, 778, 779, 780, 781, 782, 783, 784, 785, 786, 787, 788, 789, 790, 791, 792, 793, 794, 795, 796, 797, 798, 799, 800, 801, 802, 803, 804, 805, 806, 807, 808, 809, 810, 811, 812, 813, 814, 815, 816, 817, 818, 819, 820, 821, 822, 823, 824, 825, 826, 827, 828, 829, 830, 831, 832, 833, 834, 835, 836, 837, 838, 839, 840, 841, 842, 843, 844, 845, 846, 847, 848, 849, 850, 851, 852, 853, 854, 855, 856, 857, 858, 859, 860, 861, 862, 863, 864, 865, 866, 867, 868, 869, 870, 871, 872, 873, 874, 875, 876, 877, 878, 879, 880, 881, 882, 883, 884, 885, 886, 887, 888, 889, 890, 891, 892, 893, 894, 895, 896, 897, 898, 899, 900, 901, 902, 903, 904, 905, 906, 907, 908, 909, 910, 911, 912, 913, 914, 915, 916, 917, 918, 919, 920, 921, 922, 923, 924, 925, 926, 927, 928, 929, 930, 931, 932, 933, 934, 935, 936, 937, 938, 939, 940, 941, 942, 943, 944, 945, 946, 947, 948, 949, 950, 951, 952, 953, 954, 955, 956, 957, 958, 959, 960, 961, 962, 963, 964, 965, 966, 967, 968, 969, 970, 971, 972, 973, 974, 975, 976, 977, 978, 979, 980, 981, 982, 983, 984, 985, 986, 987, 988, 989, 990, 991, 992, 993, 994, 995, 996, 997, 998, 999, 1000.

\*4, (6) FOR LABEL INFORMATION SEE DETAIL K-K. \*04 SHIELDED CABLE (2) - SEE SHEET 9 OF 12.

Fig. 59 - Electrical Wire Harness Group

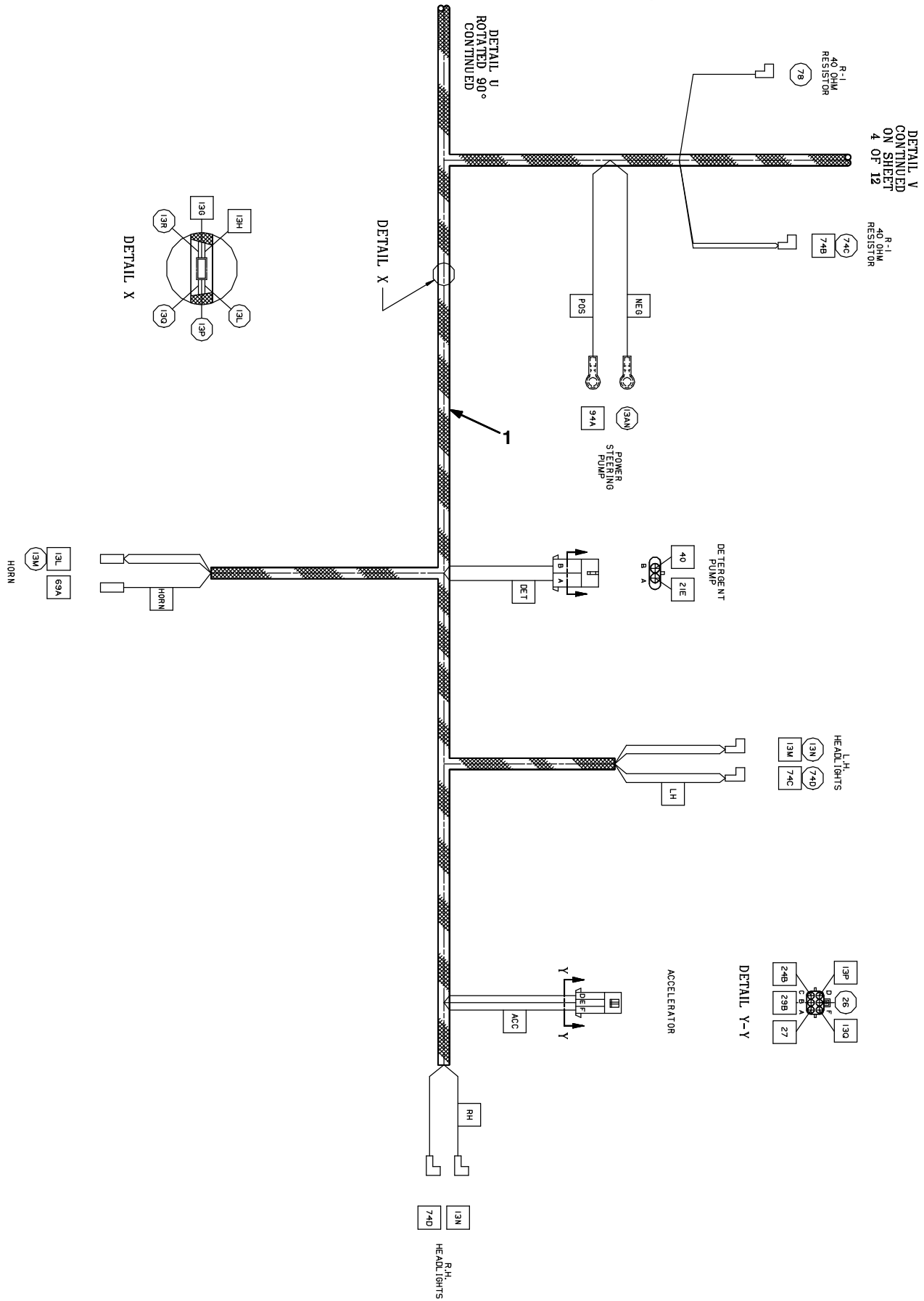


Fig. 59 - Electrical Wire Harness Group

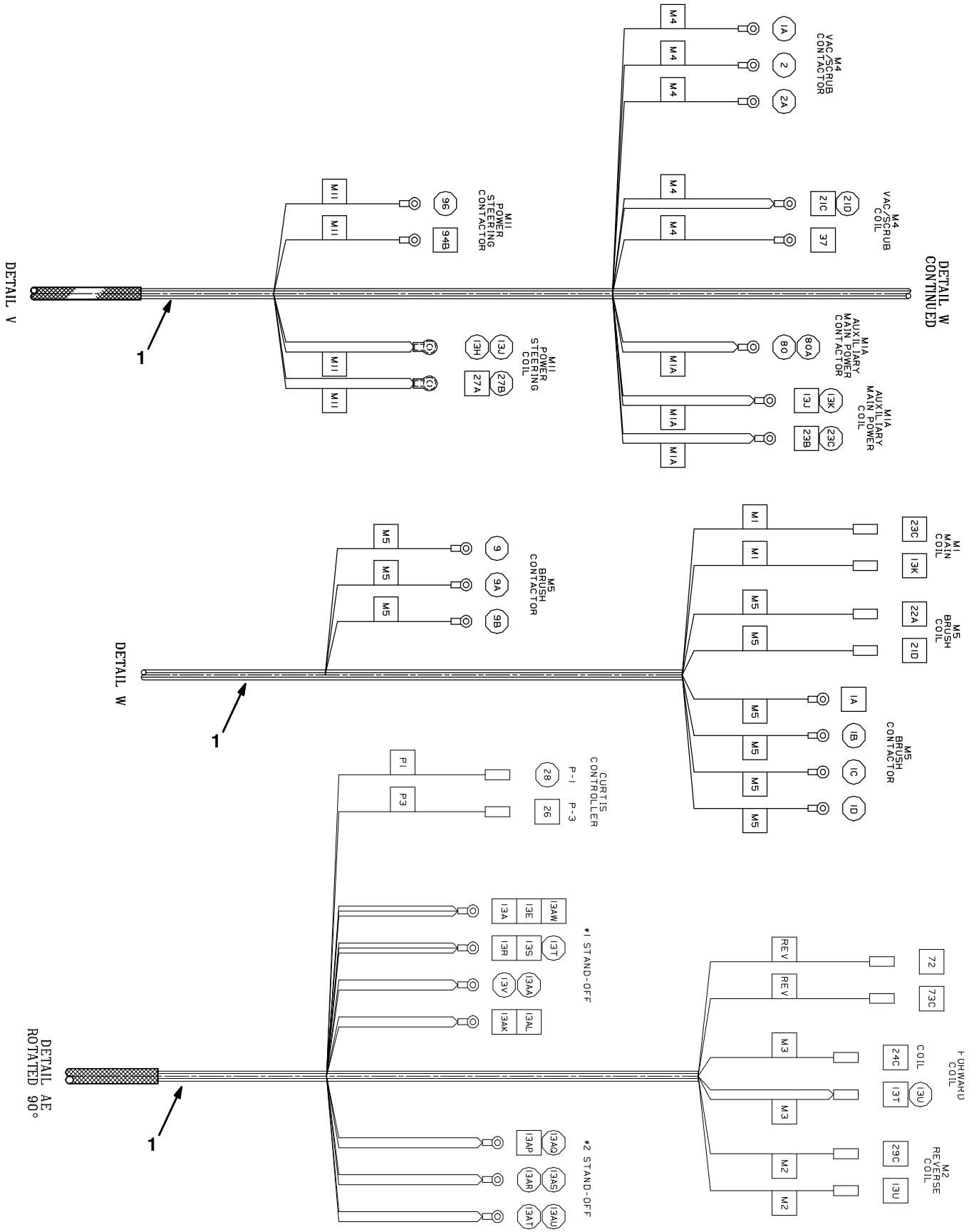


Fig. 59 - Electrical Wire Harness Group

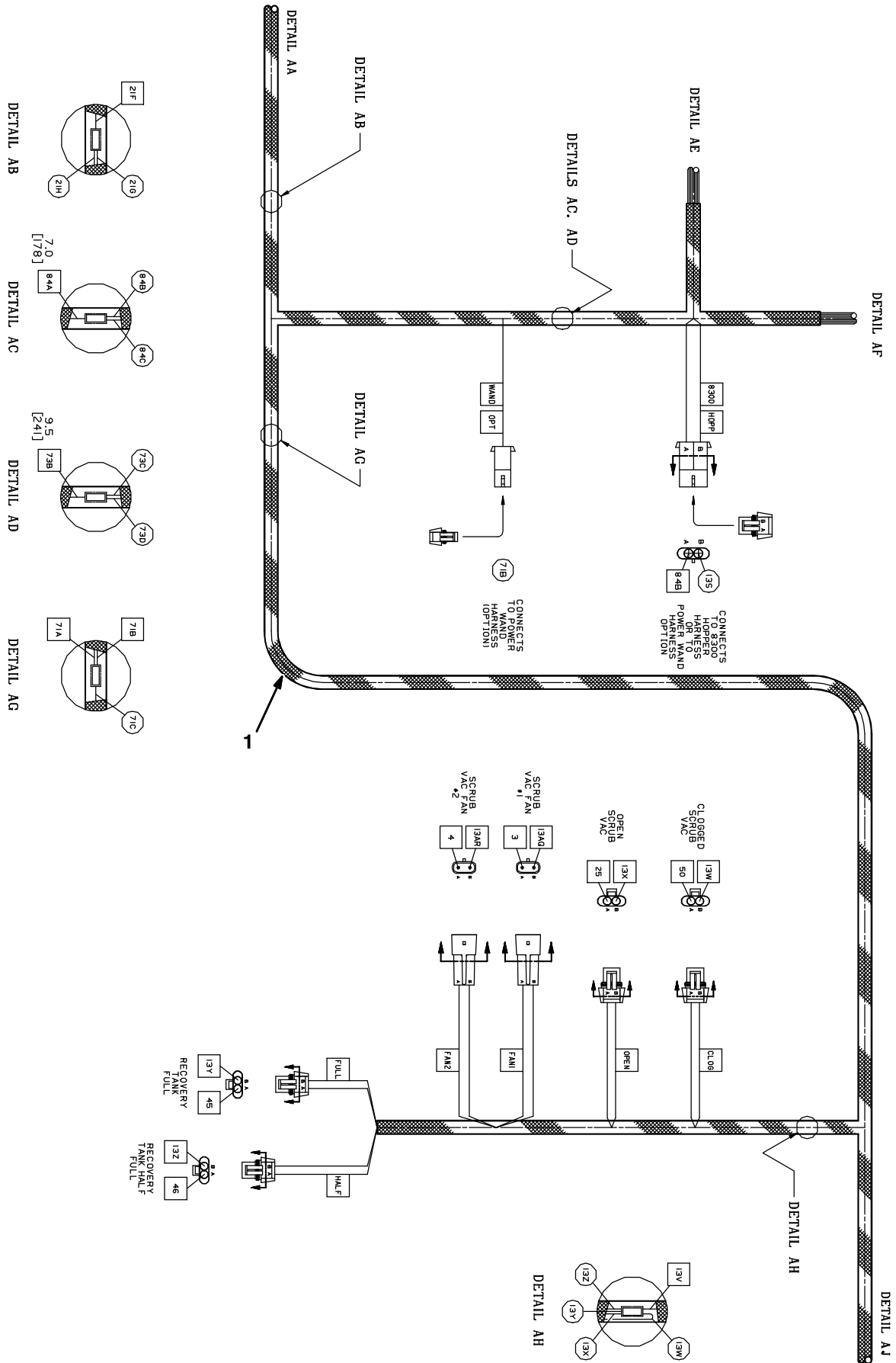


Fig. 59 - Electrical Wire Harness Group

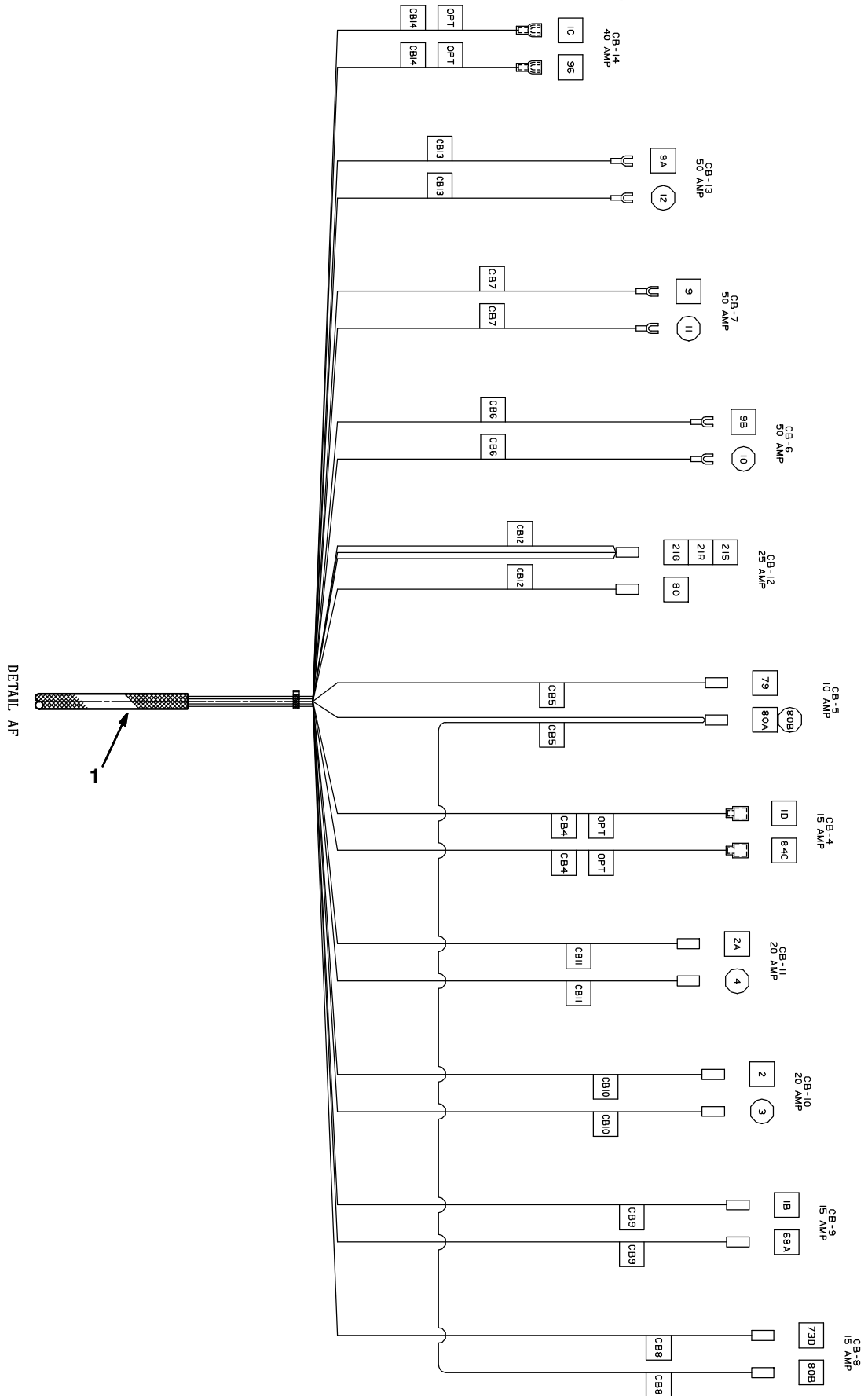


Fig. 59 - Electrical Wire Harness Group

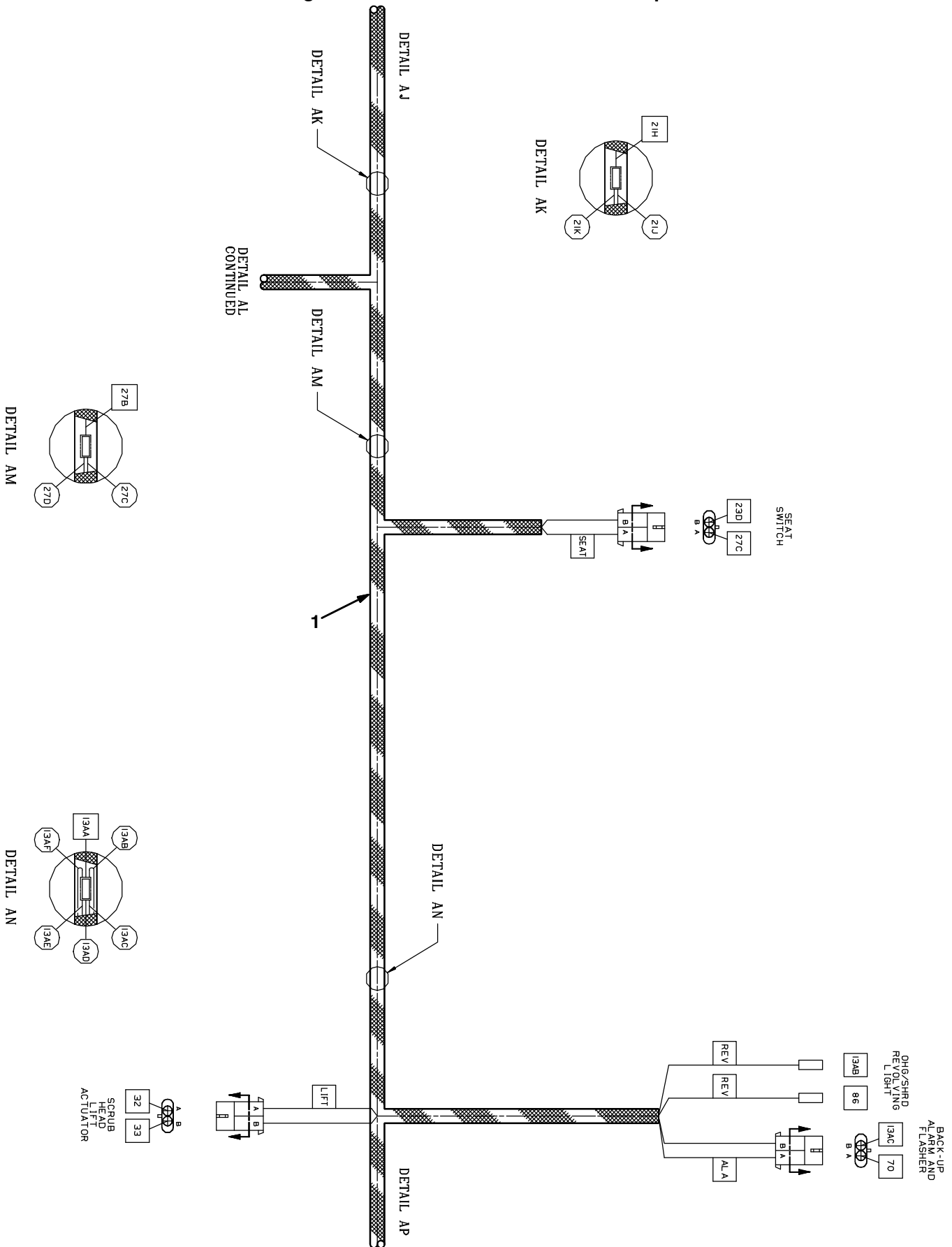




Fig. 59 - Electrical Wire Harness Group

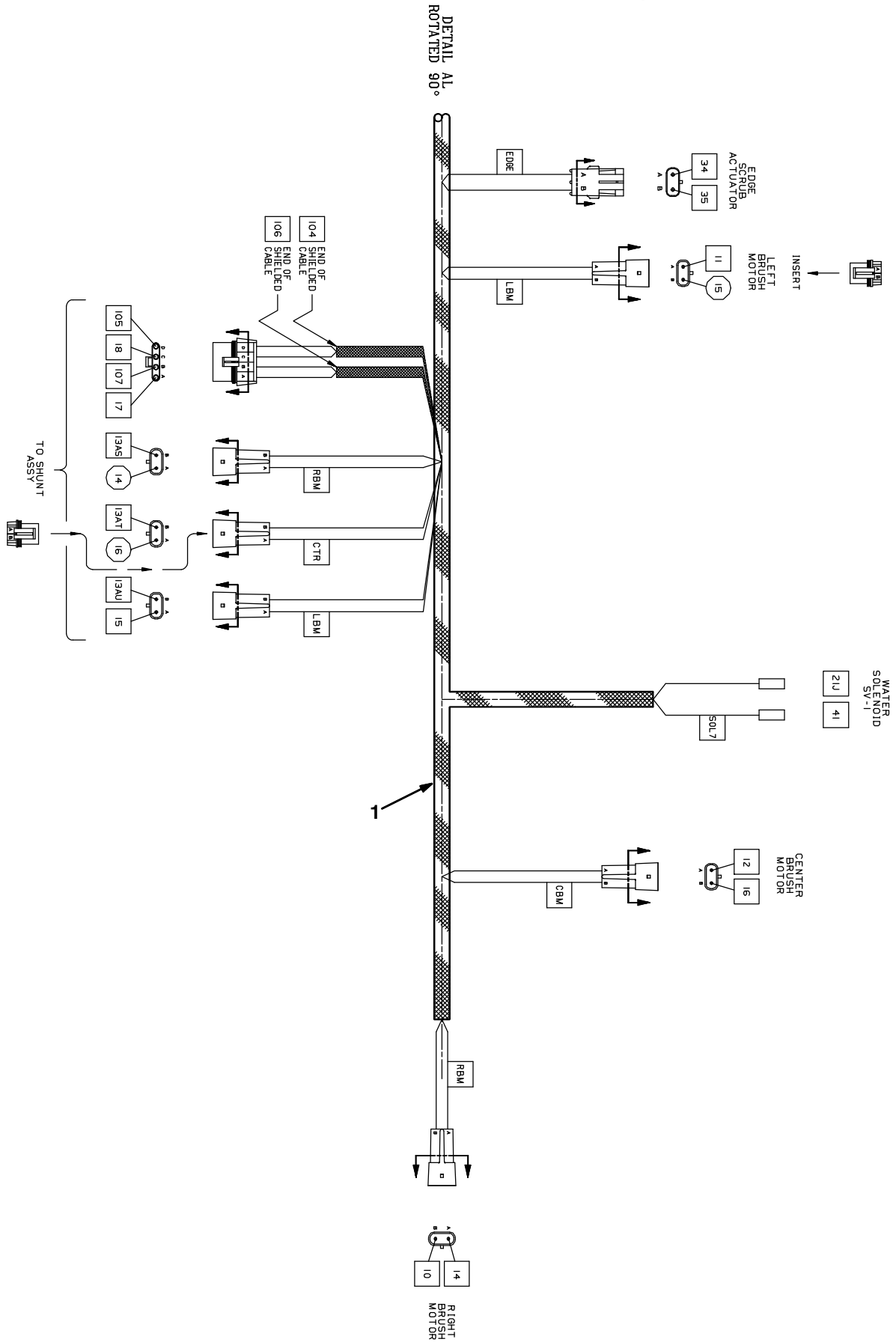


Fig. 59 - Electrical Wire Harness Group

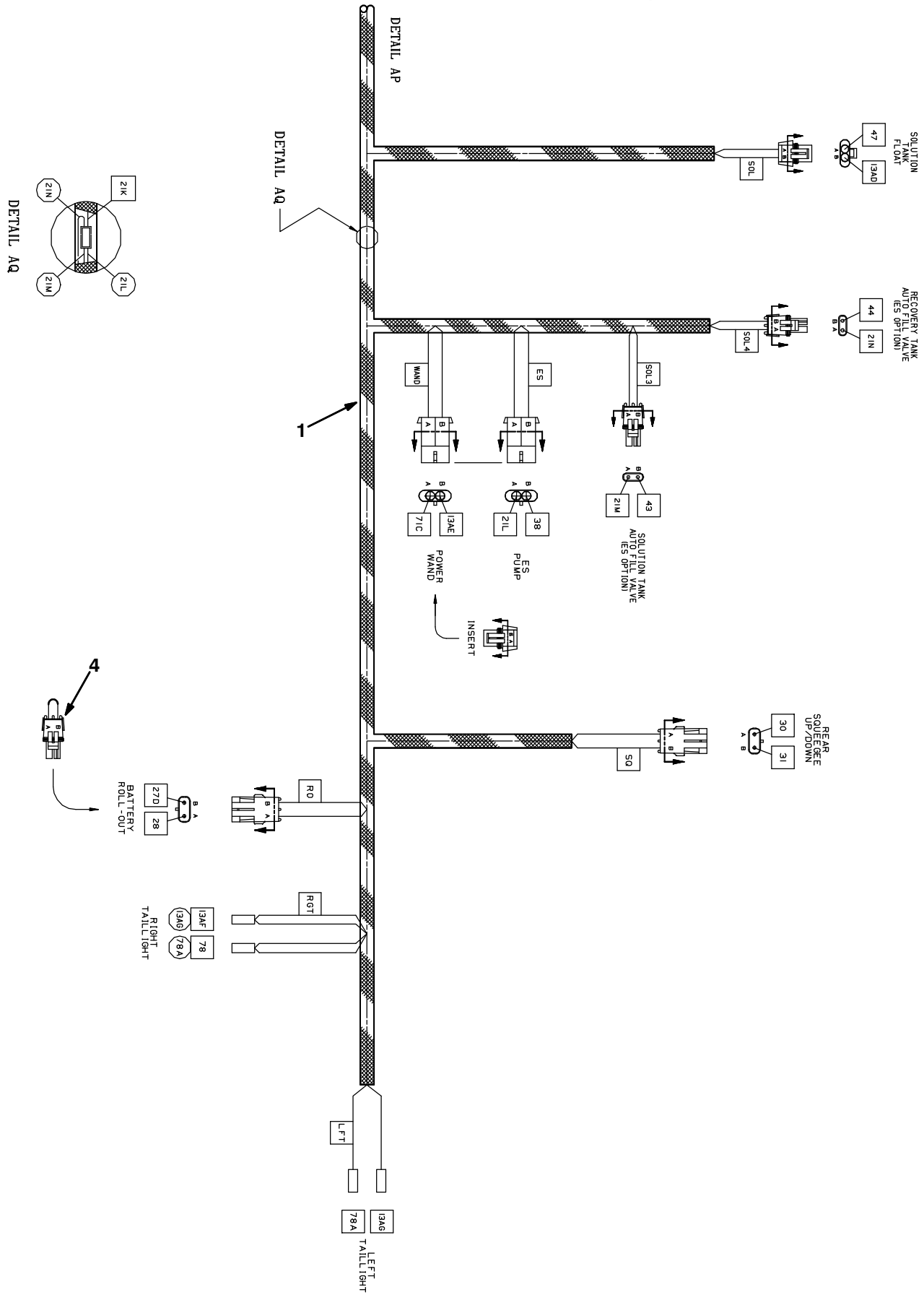


Fig. 59 - Electrical Wire Harness Group

Hopper Harness Group

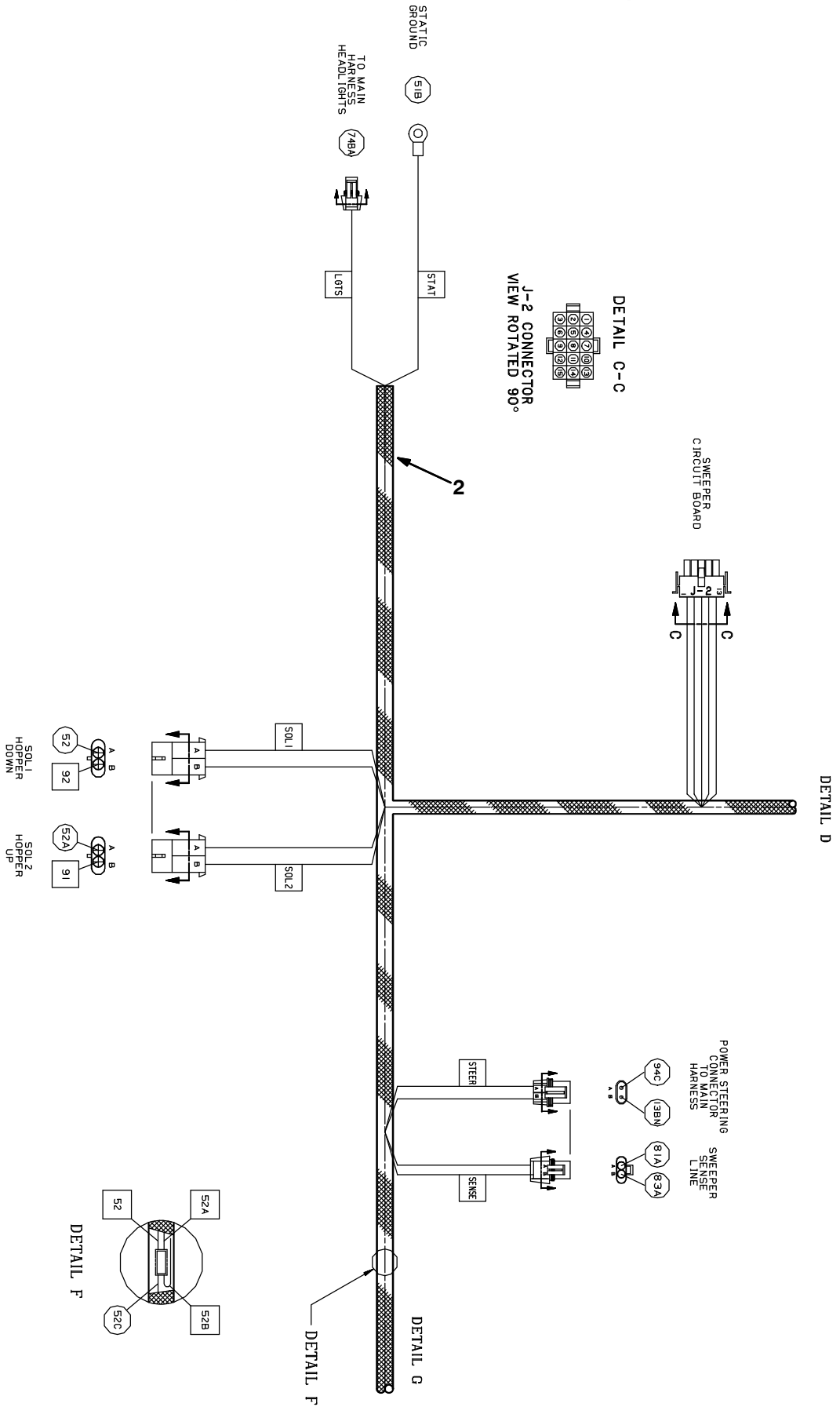


Fig. 59 - Electrical Wire Harness Group

Hopper Harness Group

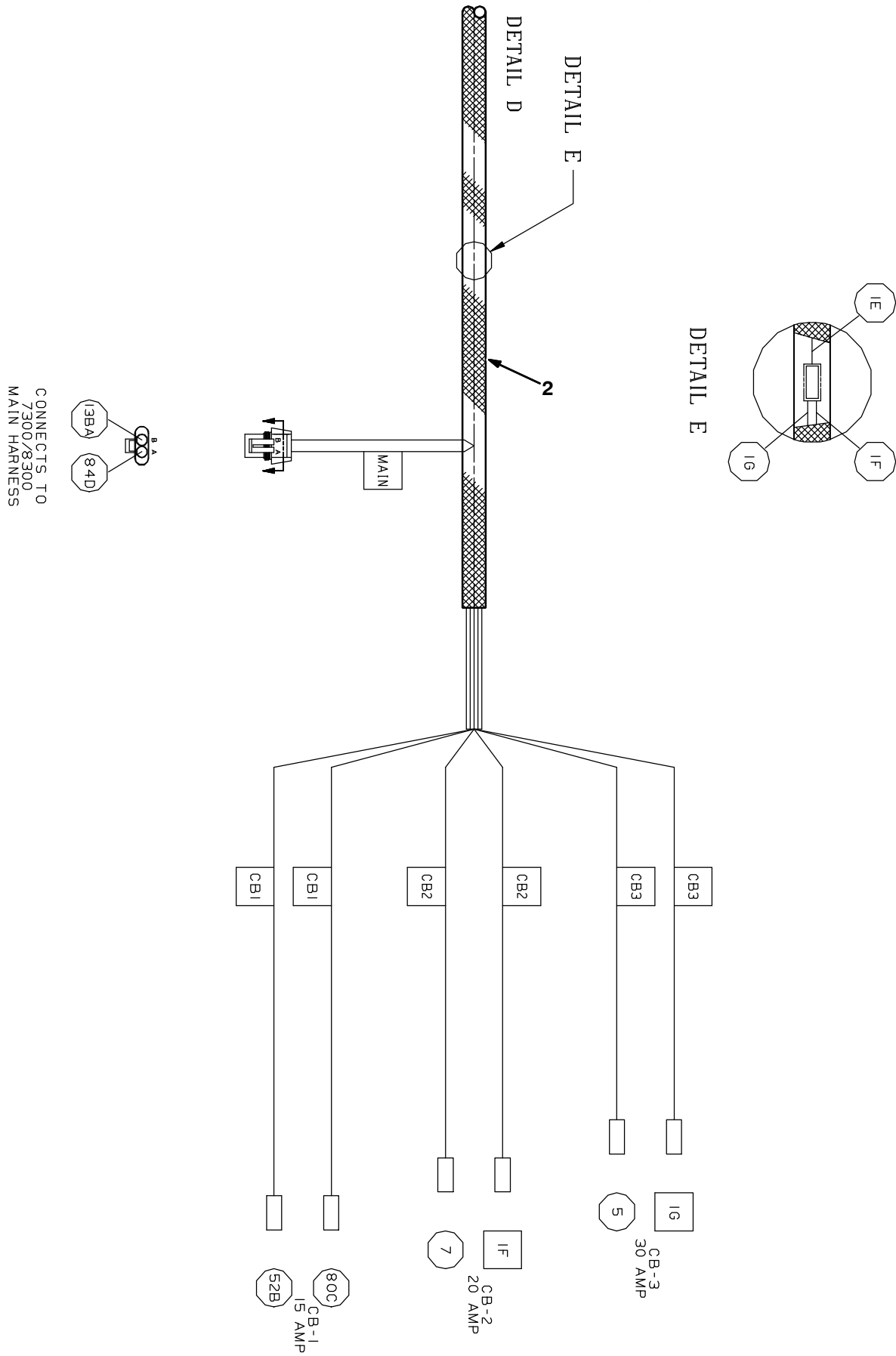
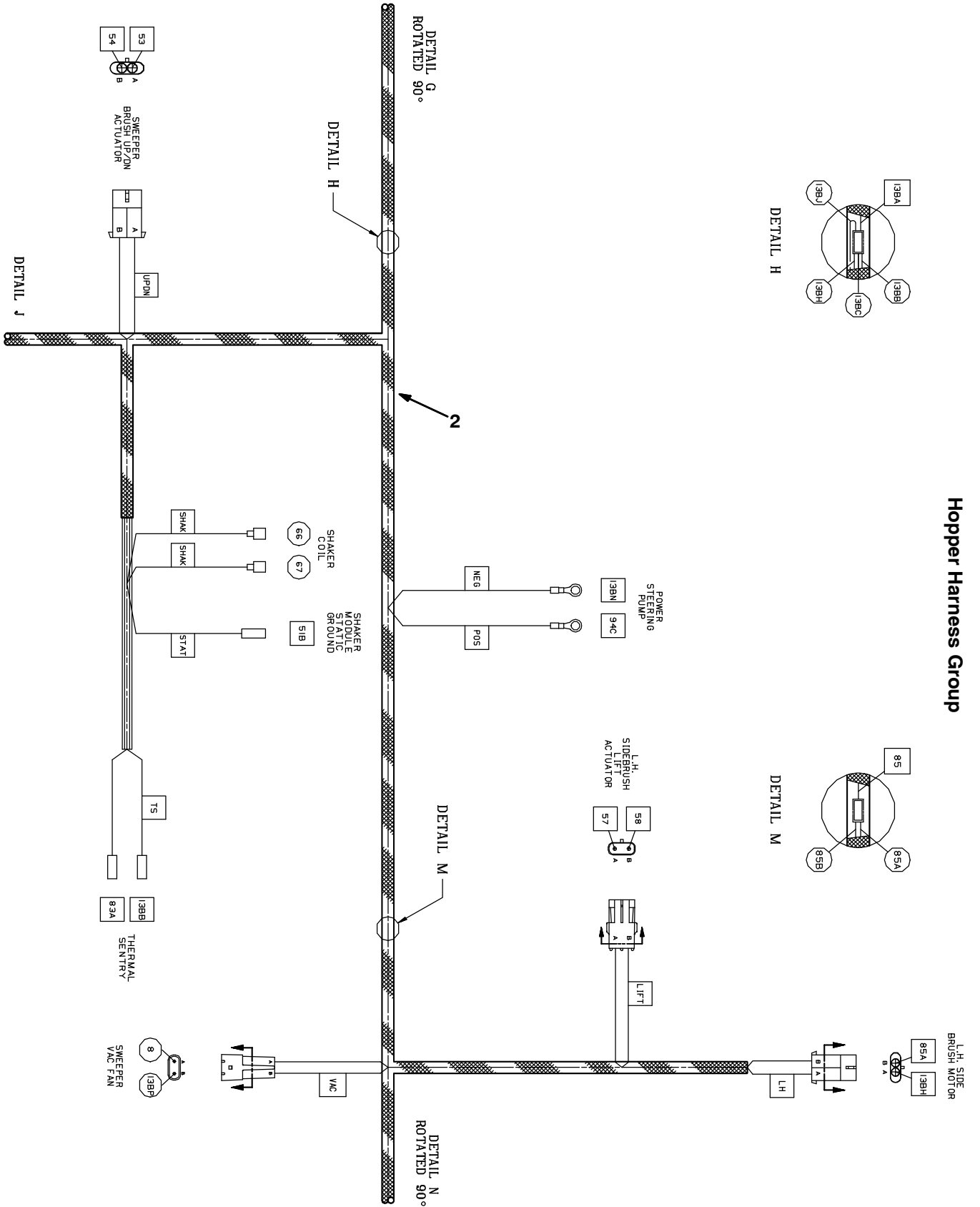
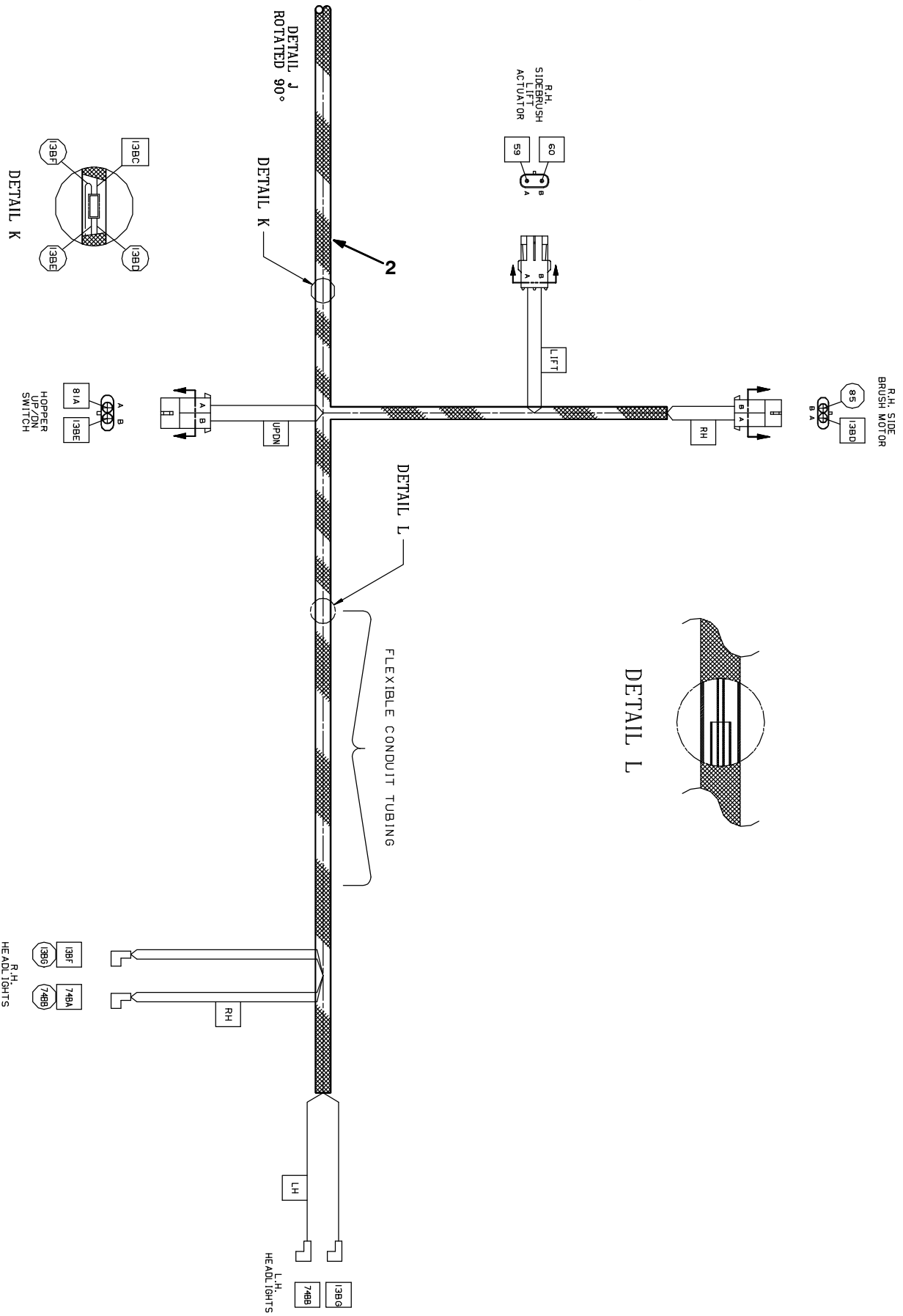


Fig. 59 - Electrical Wire Harness Group



Hopper Harness Group

**Fig. 59 - Electrical Wire Harness Group**



**Hopper Harness Group**

Fig. 59 - Electrical Wire Harness Group

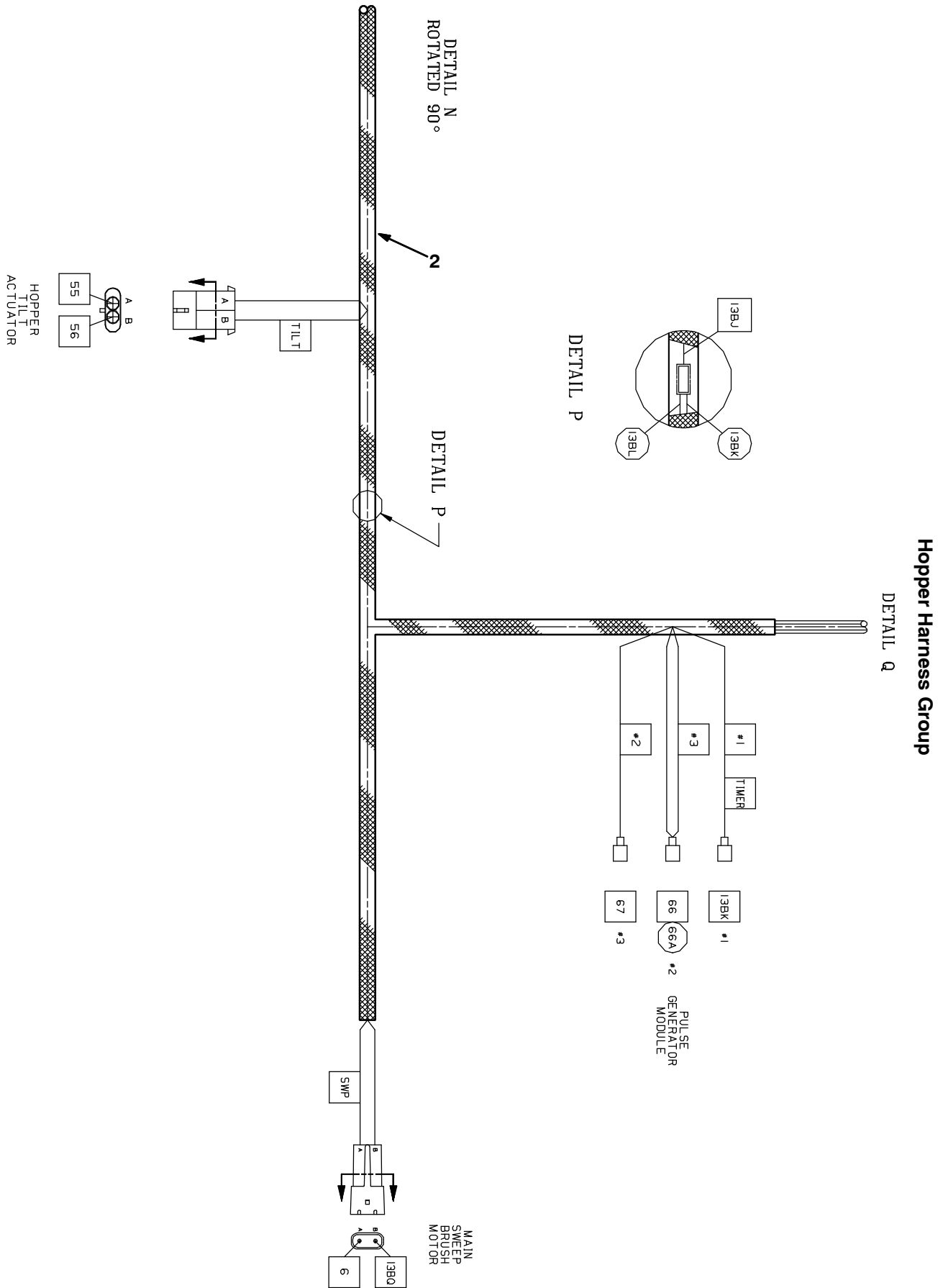
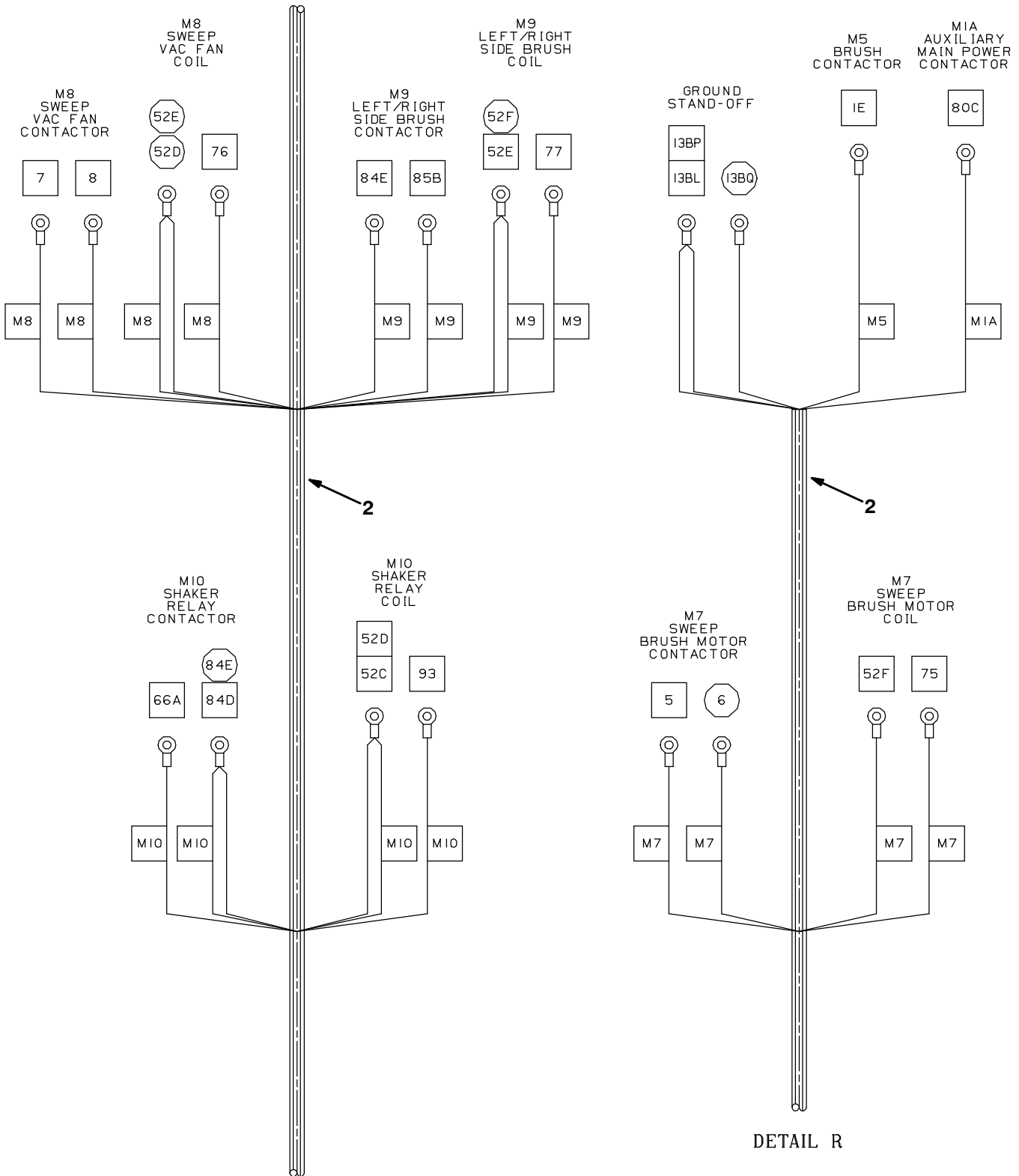


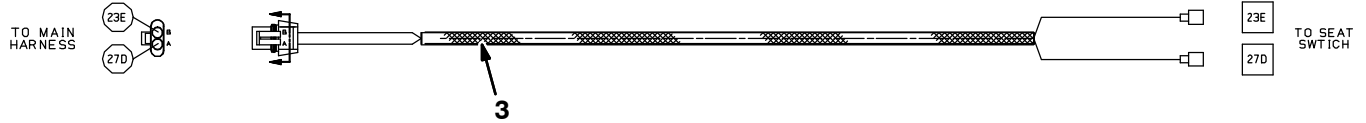
Fig. 59 - Electrical Wire Harnesses Group  
Hopper Harness Group

DETAIL R





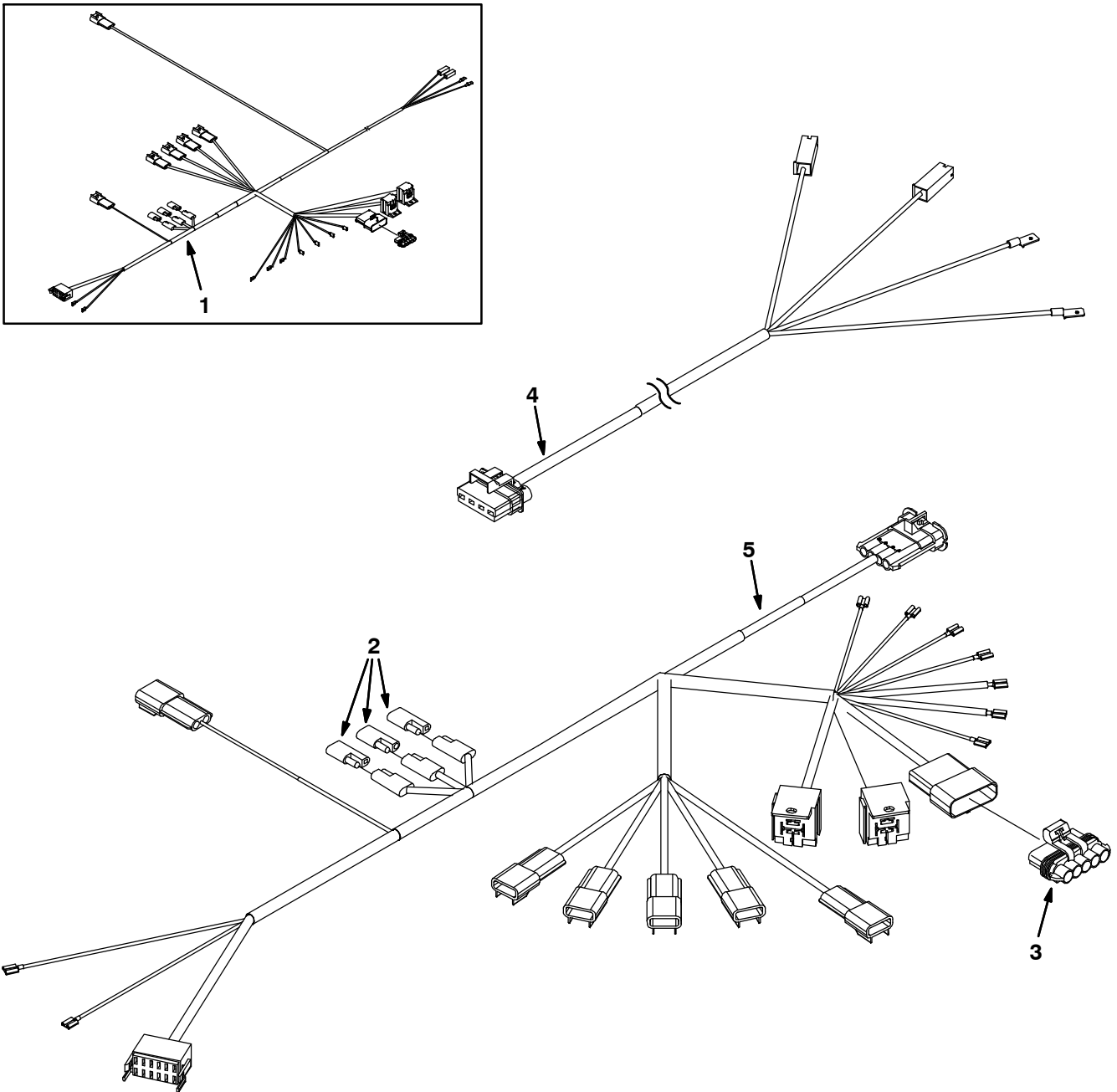
**Fig. 59 - Electrical Wire Harnesses Group**



Ref.	Tennant Part No.	Machine Serial Number	Description	Qty.
1	386600	(000000-003233 )	Harness, Main, 7300/8300	1
1	387424	(003234-	Harness, Main, 7300/8300	1
2	386601	(000000-003233 )	Harness, Hppr	1
2	387423	(003234-	Harness, Hppr	1
3	387302	(000000-	Harness, Wire, Jumper, Seat Switch	1
4	60278	(000000-	Harness, Jumper, Arm	2

# STANDARD PARTS

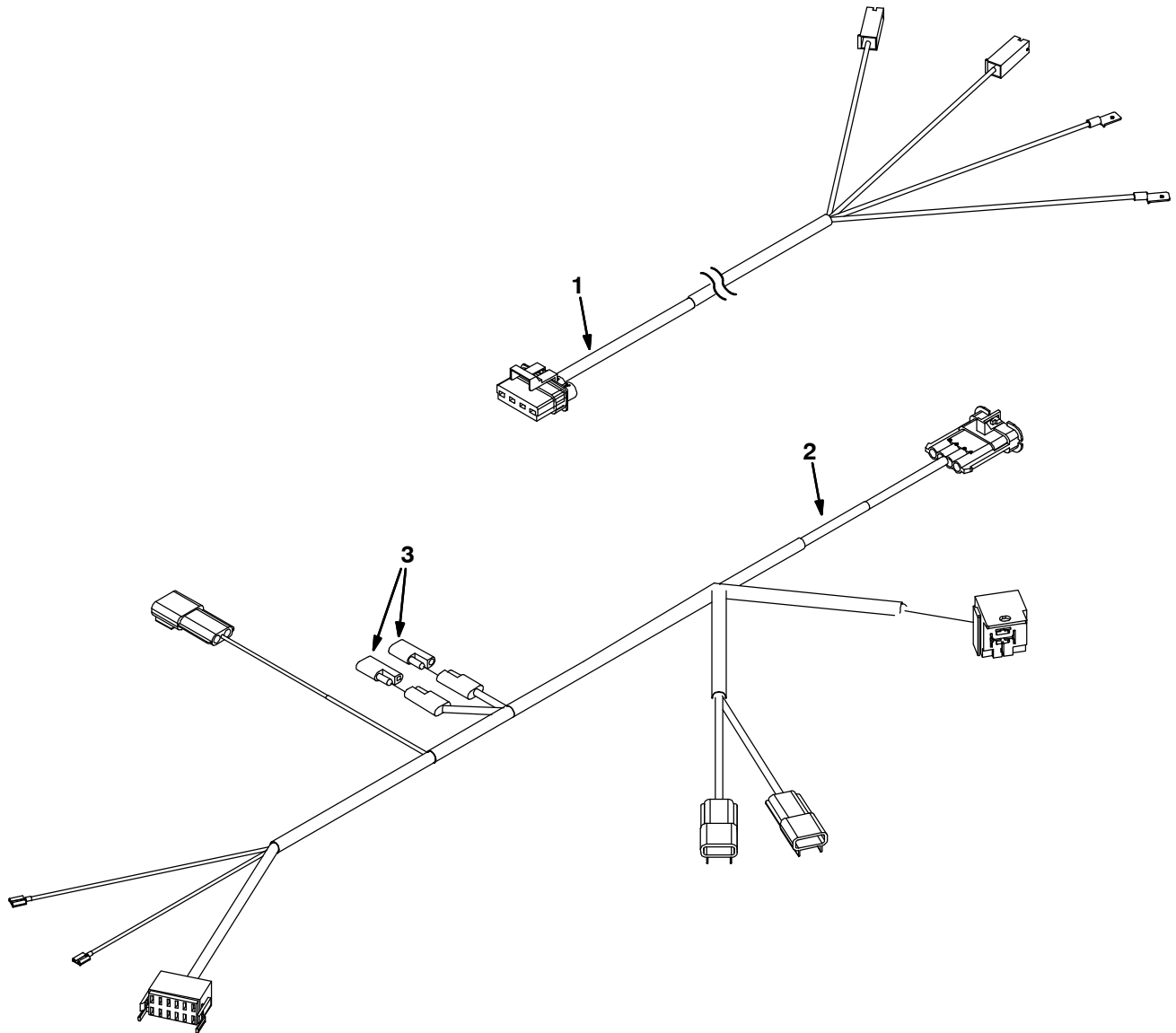
Fig. 60 - Electrical Wire Harness Group, FaST (000000-004791)



354203 - 7300

Ref.	Tenant Part No.	Machine Serial Number	Description	Qty.
1	1010325	(000000-004014 )	Harness, Fast, 7300/8300	1
2	222290	(000000-004791 )	Diode, Ele, Plug	3
3	1015096	(000000-004791 )	Plug, Resistor	1
4	1017288	(004015-004791 )	Harness, Rear, [ Fast 7300/8300]	1
5	1017289	(004015-004791 )	Harness [Fast 7300/8300]	1

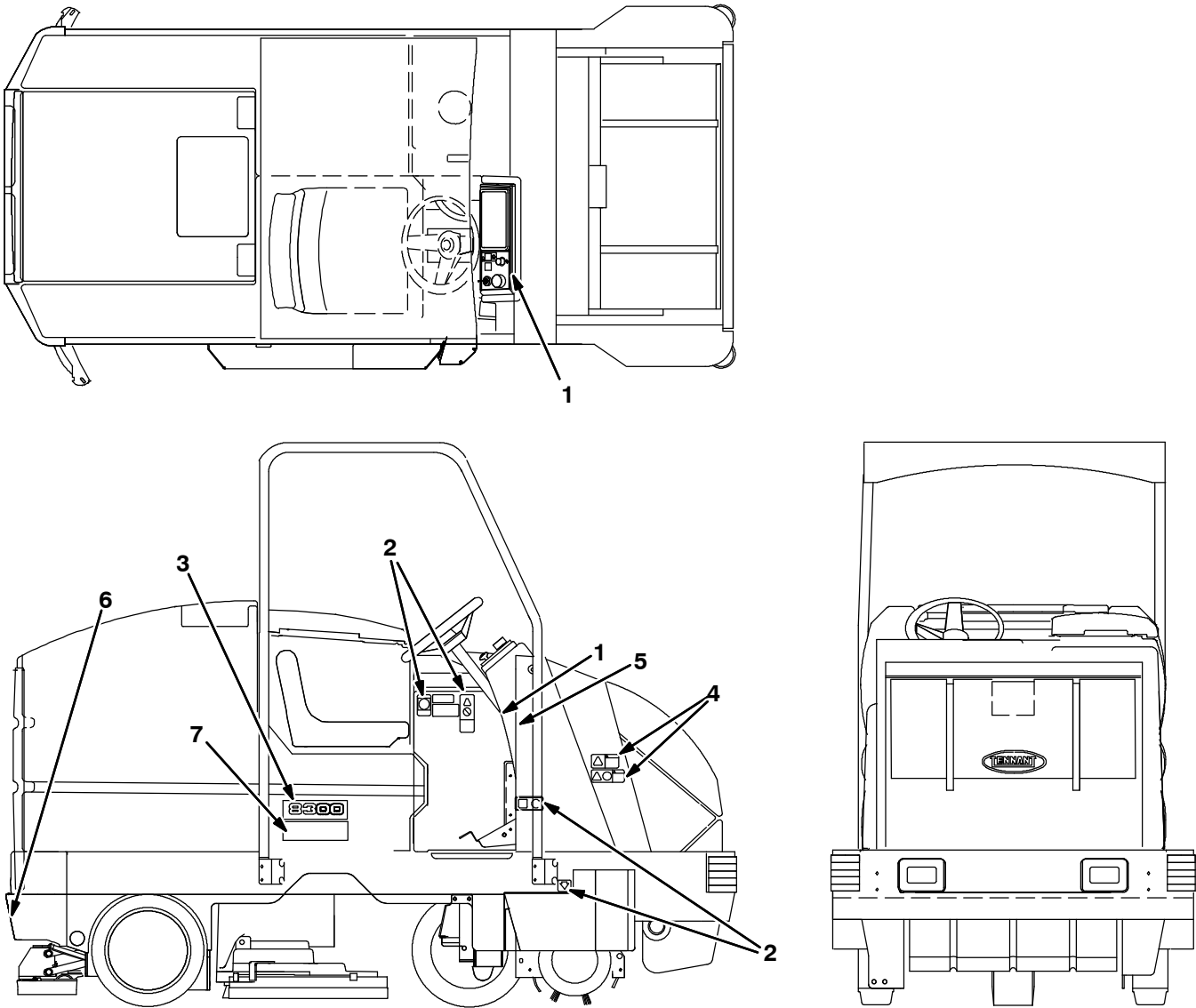
**Fig. 61 - Eleactrical Wire Harness Group, FaST (004792- )**



354203 - 7300

Ref.	Tenant Part No.	Machine Serial Number	Description	Qty.
1	1017288	(004792- )	Harness, Rear [FaST 7300/8300]	1
2	1052588	(004792- )	Harness [FaST II+ 7300/8300]	1
3	222290	(004792- )	Diode, Ele, Plug	2

**Fig. 62 - Label Group**



353382

Ref.	Tennant Part No.	Machine Serial Number	Description	Qty.
1	386130	(000000- )	Label Set, Operational, 7300/8300	1
2	387032	(000000- )	Label Set, Info & Hzd	1
3	386333	(000000- )	Label	2
4	387068	(000000- )	Label Set, Info & Hzd	1
5	387520	(000000- )	Tag, Operator, [8300]	1
6	387525	(000000- )	Label, Sqge	1
7	1056947	(000000- )	Label, Blue-Green [FaST]	2
7	1056944	(000000- )	Label, Tank [ec-H20]	2
7	1056945	(000000- )	Label, Tank [ES]	2

# SECTION 3

Contents	Page
Fig. 1 - Revolving Light Kit	3-4
Fig. 2 - Revolving Light Kit, Overhead Guard	3-6
Fig. 3 - Backup Alarm Kit	3-8
Fig. 4 - Rear Bumper Kit	3-10
Fig. 5 - Overhead Guard Kit	3-12
Fig. 6 - Seat Belt Kit	3-14
Fig. 7 - Suspension Seat Kit	3-16
Fig. 8 - Left Side Brush Motor and Pivot Group	3-18
Fig. 9 - Left Side Brush Lift Group	3-20
Fig. 10 - Max Pro 1200 (Disc-Brush) Scrub Head Frame Group	3-22
Fig. 11 - Max Pro 1200 (Disc-Brush) Scrub Head Linkage Group	3-24
Fig. 12 - Max Pro 1200 (Disc-Brush) Solution Valve Group	3-26
Fig. 13 - Max Pro 1200 (Disc-Brush) Solution Valve Group (FaST/ec-H2O)	3-28
Fig. 14 - Max Pro 1200 (Disc-Brush) Edge Scrub Group	3-30
Fig. 15 - Max Pro 1200 (Disc-Brush) Right Side Squeegee Group	3-32
Fig. 16 - Max Pro 1200 (Disc-Brush) Right Side Vacuumized Squeegee Group	3-34
Fig. 17 - Max Pro 1200 (Disc-Brush) Left Side Squeegee Group	3-36
Fig. 18 - Max Pro 1000 (Cylindrical Brush) Scrub Head Frame and Linkage Group	3-38
Fig. 19 - Max Pro 1000 (Cylindrical Brush) Scrub Head Drive Group	3-40
Fig. 20 - Max Pro 1000 (Cylindrical Brush) Solution Valve Group	3-42
Fig. 21 - Max Pro 1000 (Cylindrical Brush) Solution Valve Group (FaST/ec-H2O)	3-44
Fig. 22 - Max Pro 1000 (Cylindrical Brush) Edge Scrub Group	3-46
Fig. 23 - Max Pro 1000 (Cylindrical Brush) Right Side Squeegee Group	3-48
Fig. 24 - Max Pro 1000 (Cylindrical Brush) Left Side Squeegee Group	3-50
Fig. 25 - Max Pro 1000 (Cylindrical Brush) Debris Tray Group	3-52
Fig. 26 - Max Pro 1000 (Cylindrical Brush) Vacuumized Debris Tray Group	3-54
Fig. 27 - Max Pro 1200 (Cylindrical Brush) Scrub Head Frame and Linkage Group	3-56
Fig. 28 - Max Pro 1200 (Cylindrical Brush) Scrub Head Drive Group	3-58
Fig. 29 - Max Pro 1200 (Cylindrical Brush) Solution Valve Group	3-60

Contents	Page
Fig. 30 - Max Pro 1200 (Cylindrical Brush) Solution Valve Group (FaST/ec-H2O)	3-62
Fig. 31 - Max Pro 1200 (Cylindrical Brush) Edge Scrub Group	3-64
Fig. 32 - Max Pro 1200 (Cylindrical Brush) Right Side Squeegee Group	3-66
Fig. 33 - Max Pro 1200 (Cylindrical Brush) Left Side Squeegee Group	3-68
Fig. 34 - Max Pro 1200 (Cylindrical Brush) Debris Tray Group	3-70
Fig. 35 - Max Pro 1200 (Cylindrical Brush) Vacuumized Debris Tray Group	3-72
Fig. 36 - ES Pump Group	3-74
Fig. 37 - ES Tank Group	3-76
Fig. 38 - ES Drain Assembly	3-78
Fig. 39 - ec-H2O Solution Pump Group	3-80
Fig. 40 - ec-H2O Switch and Label Group	3-82
Fig. 41 - ec-H2O Wire Harnesses Group	3-84
Fig. 42 - Positive Solution Control Drain Kit, Recovery Tank	3-86
Fig. 43 - Positive Solution Control Drain Kit, Solution Tank	3-88
Fig. 44 - Low Water Level Kit	3-90
Fig. 45 - Detergent Metering Kit	3-92
Fig. 46 - Power Wand Hose Assembly	3-94
Fig. 47 - Power Wand Assembly	3-96
Fig. 48 - Power Wand Pump and Fittings Group	3-98
Fig. 49 - Power Wand Mount Group	3-100
Fig. 50 - Vacuum Wand Kit	3-102
Fig. 51 - Max Pro 1200 Rear Squeegee Group	3-104
Fig. 52 - Max Pro 1200 Rear Squeegee Group (For Vacuumized Side Squeegee)	3-106
Fig. 53 - Max Pro 1000 Urethane Squeegee Kit	3-108
Fig. 54 - Max Pro 1200 Urethane Squeegee Kit	3-109
Fig. 55 - Battery Rollout Kit	3-110
Fig. 56 - Battery Forklift Kit	3-112
Fig. 57 - Battery Kit, 500AH Wet	3-114
Fig. 58 - Battery Kit, 600AH	3-116
Fig. 59 - Battery Kit, 750AH Wet	3-118
Fig. 60 - Battery Kit, 1000AH Wet	3-120
Fig. 61 - Battery Charger Group, 120A, 36V, 60Hz 1Ph (500Ah Batteries)	3-122
Fig. 62 - Battery Charger Group, 120A, 36V, 60Hz 3Ph (500Ah Batteries)	3-123
Fig. 63 - Battery Charger Group, 150A, 36V, 60Hz (750Ah Batteries)	3-124

## OPTIONS

---

<b>Contents</b>	<b>Page</b>
Fig. 64 - Battery Charger Group, 93A, 36V, 60Hz 1Ph (600Ah Batteries)	3-125
Fig. 65 - Battery Charger Group, 93A, 36V, 60Hz 3Ph (600Ah Batteries)	3-126
Fig. 66 - Battery Charger Group, 210A, 36V, 60Hz, 3Ph (1000 Ah Batteries) . . . . .	3-127
Fig. 67 - Tire, Non-Mark, Non-Skid, Front Drive . . . . .	3-128
Fig. 68 - Non-Mark, Non-Skid Tire, Rear	3-129
Fig. 69 - Fire Extinguisher Kit . . . . .	3-130
Fig. 70 - Documentation Group . . . . .	3-131



Fig. 1 - Revolving Light Kit

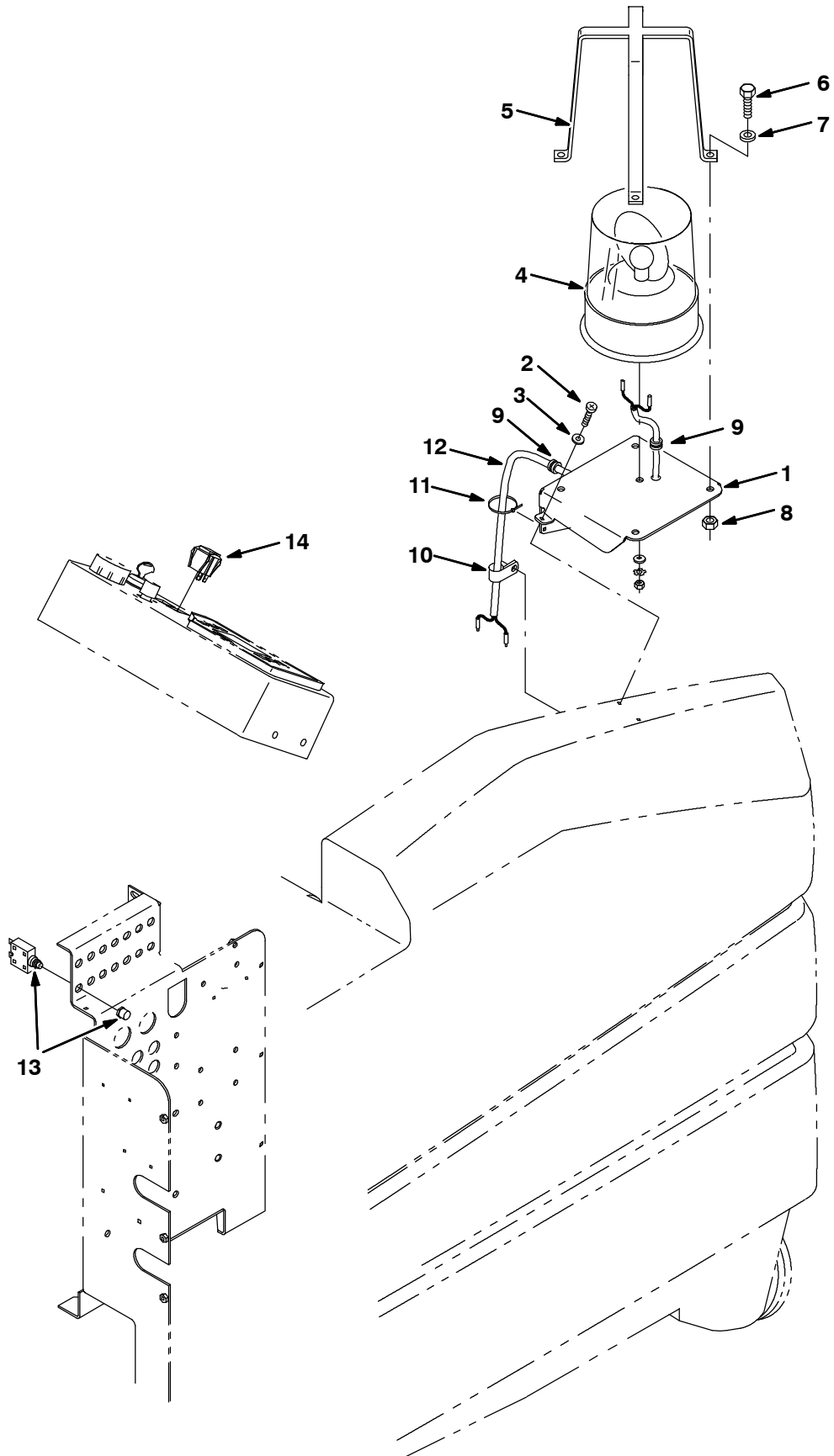




Fig. 1 - Revolving Light Kit

	Ref.	Tennant Part No.	Machine Serial Number	Description	Qty.
▽		387301	(000000-	) Kit, Cl, Light, Revl W/O OHG	1
▲	1	387157	(000000-	) Bracket, Mtg	1
▲	2	360943	(000000-	) Screw, Pan, #10-14 X 0.75, F/Plstc	5
▲	3	19066	(000000-	) Washer, Flt, #10	4
▲▽	4	87709	(000000-	) Light, Revl, 36vdc, Amb, Rework 44684	1
▲▲		44681-1	(000000-	) Lens, Amber, Light, Revl	1
▲▲		45283	(000000-	) Lamp, 40vdc, 0.9a, [50cp#1062]	1
▲	5	45272	(000000-	) Guard Wldt, Light, Revl/Fish	1
▲	6	39277	(000000-	) Screw, Hex, M08 X 1.25 X 25, 8.8	4
▲	7	39349	(000000-	) Washer, Flt, .31 Sae	4
▲	8	07791	(000000-	) Nut, Hex, Flng, M08 X 1.25	4
▲	9	10632-12	(000000-	) Grommet, Rbr, 0.38id, F/ 0.5h, .12matl	2
▲	10	26395-2	(000000-	) Clamp, Cable, Stl, 0.38d X 0.38w, 1h	1
▲	11	49266	(000000-	) Tie, Cable, Nyl, 07.3l .19w 1.8 Max D	1
▲	12	386609	(000000-	) Harness, Light, Revl, Shrd	1
▲	13	383722	(000000-	) Circuitbreaker, 15.0 A	1
▲	14	360520	(000000-	) Switch, Rocker	1
		44681	(000000-	) Lens, Rev. Light, Red	1
		44681-2	(000000-	) Lens, Rev. Light, Blue	1

Fig. 2 - Revolving Light Kit, Overhead Guard

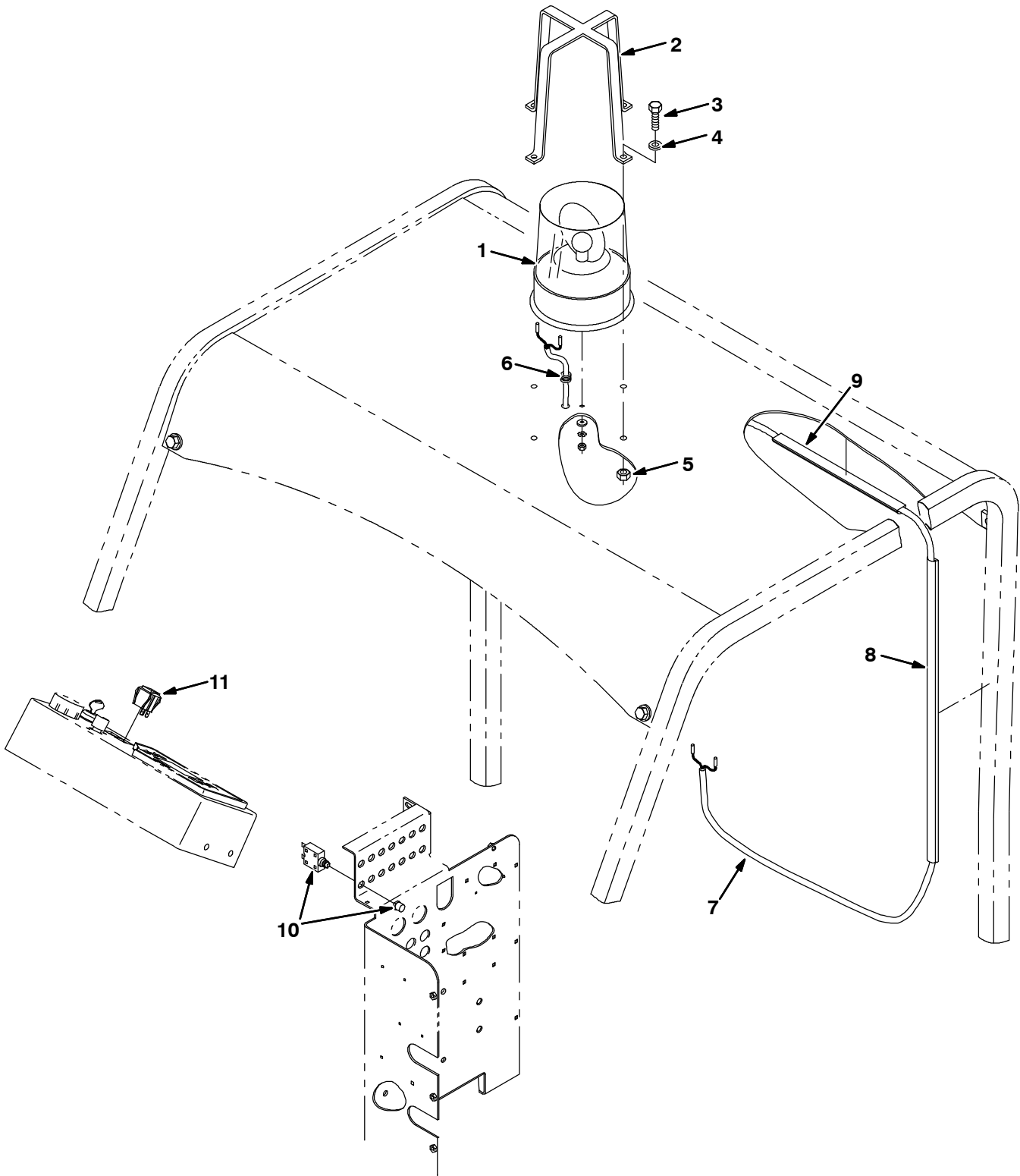


Fig. 2 - Revolving Light Kit, Overhead Guard

	Ref.	Tennant Part No.	Machine Serial Number	Description	Qty.
▽		387300	(000000-	) Kit, Cl, Light, Revl W/ Ohg	1
▲▽	1	87709	(000000-	) Light, Revl, 36vdc, Amb, Rework 44684	1
▲▲		44681-1	(000000-	) Lens, Amber, Light, Revl	1
▲▲		45283	(000000-	) Lamp, 40vdc, 0.9a, [50cp#1062]	1
▲	2	45272	(000000-	) Guard Wldt, Light, Revl/Flsh	1
▲	3	39277	(000000-	) Screw, Hex, M08 X 1.25 X 25, 8.8	4
▲	4	39349	(000000-	) Washer, Flt, .31 Sae	4
▲	5	07791	(000000-	) Nut, Hex, Flng, M08 X 1.25	4
▲	6	10632-12	(000000-	) Grommet, Rbr, 0.38id, F/ 0.5h, .12matl	1
▲	7	386605	(000000-	) Harness, Warning Light, Alarm	1
▲	8	365032	(000000-	) Duct, Vyl, 0.40 X 0.75 .25d 48.0l	1
▲	9	365033	(000000-	) Duct, Vyl, 0.40 X 0.75 .25d 23.0l	1
▲	10	383722	(000000-	) Circuitbreaker, 15.0 A	1
▲	11	360520	(000000-	) Switch, Rocker	1
		44681	(000000-	) Lens, Rev. Light, Red	1
		44681-2	(000000-	) Lens, Rev. Light, Blue	1

Fig. 3 - Backup Alarm Kit

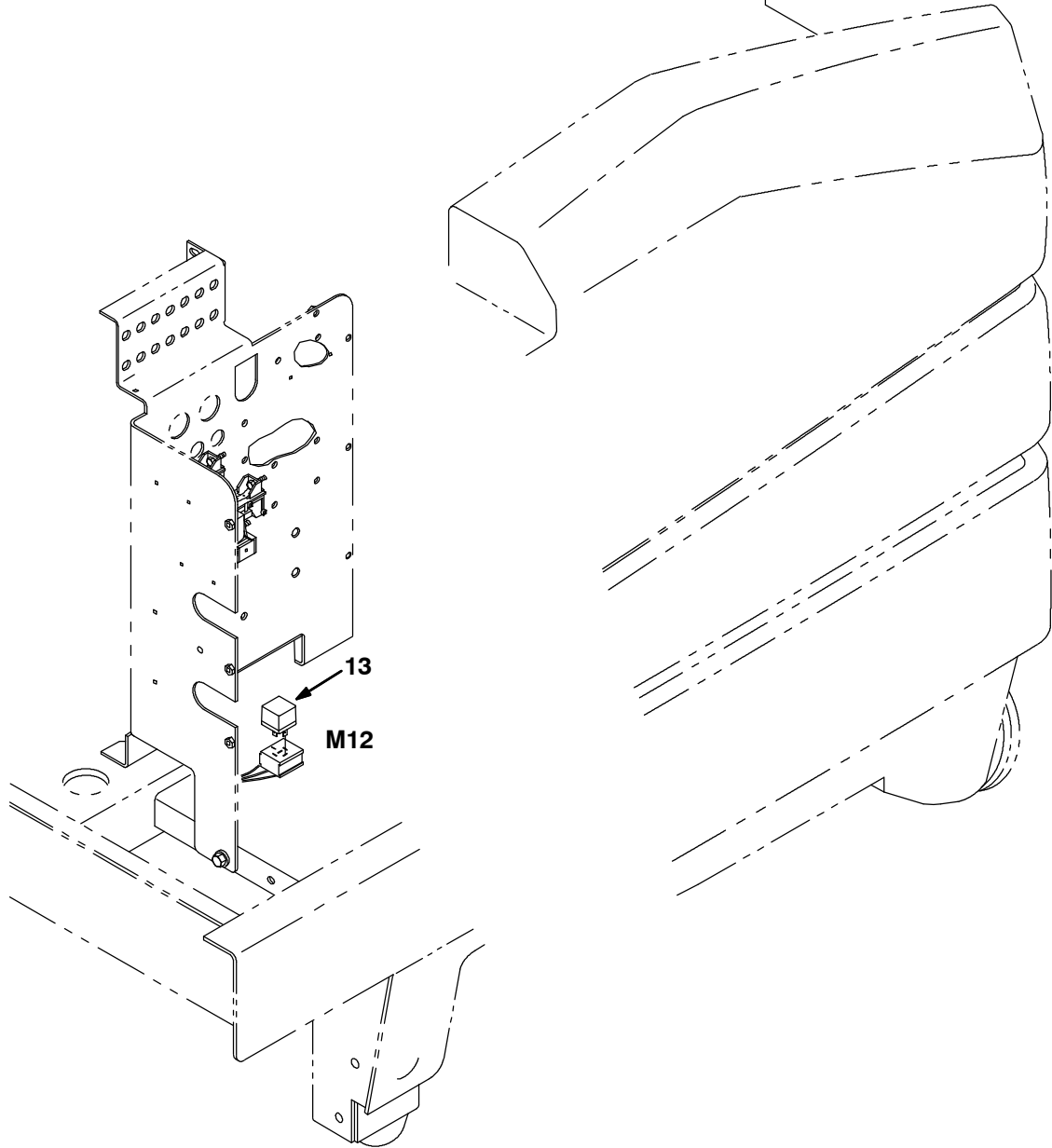
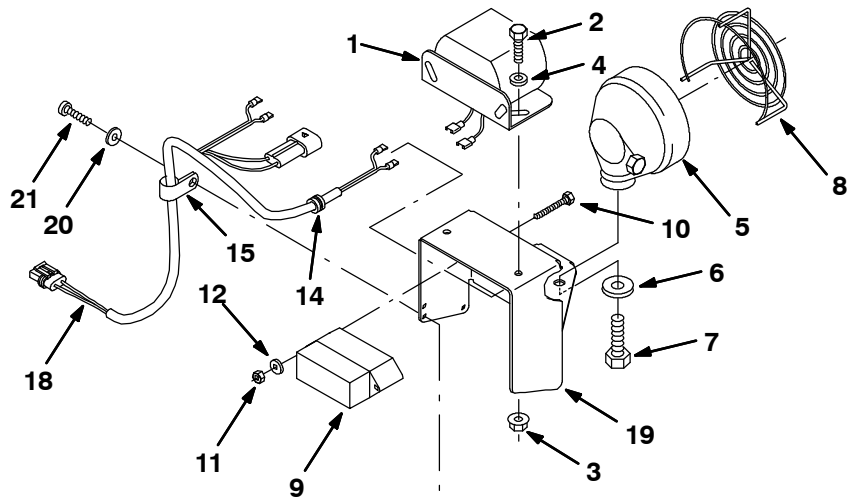
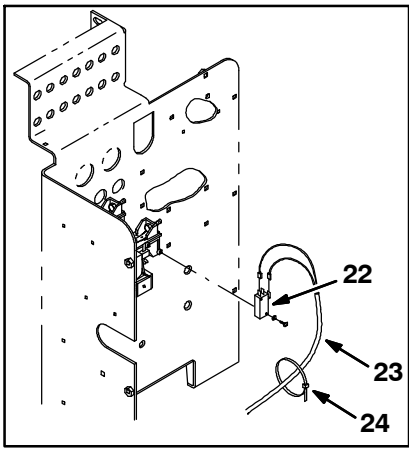
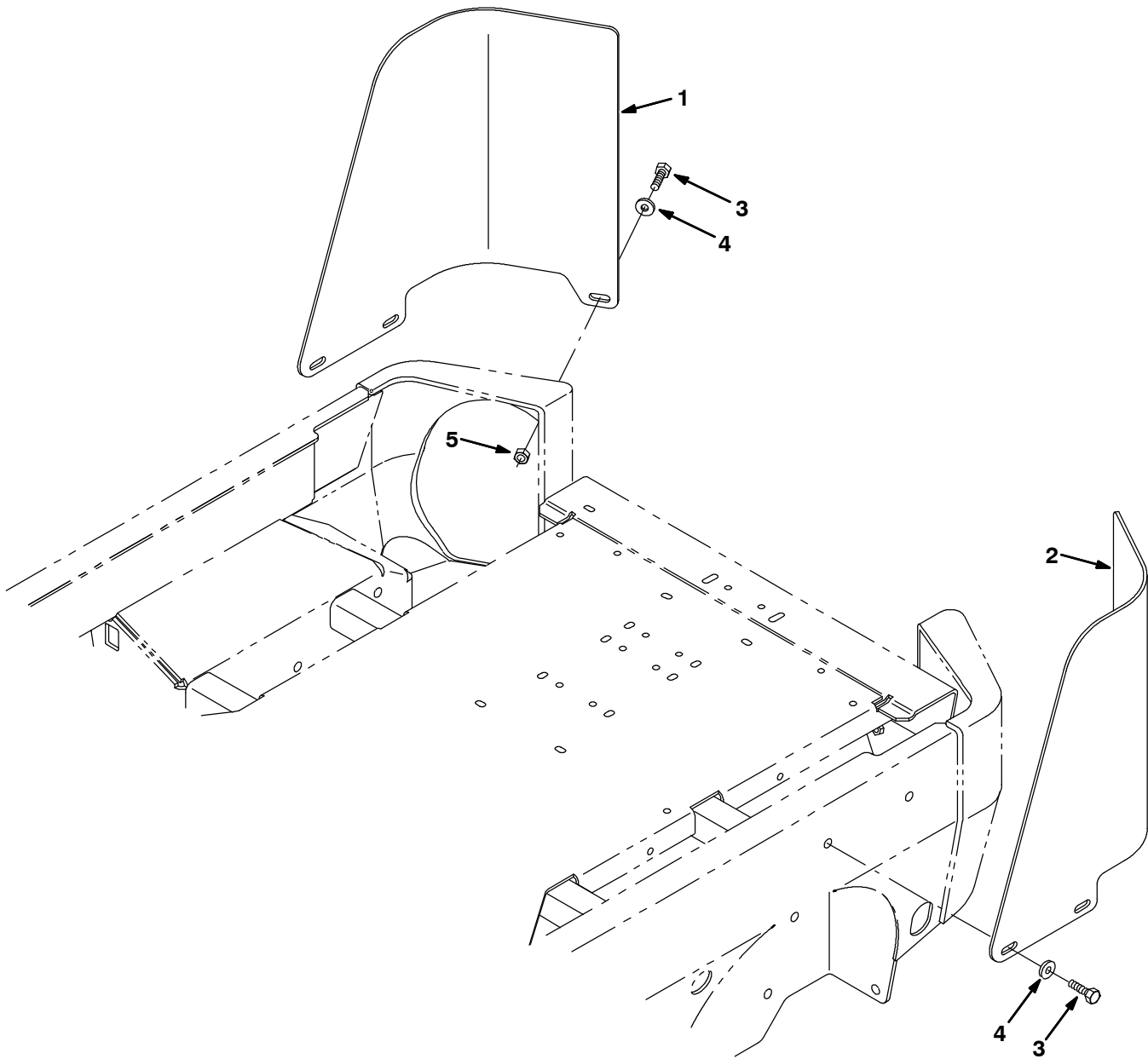


Fig. 3 - Backup Alarm Kit

Ref.	Tennant Part No.	Machine Serial Number	Description	Qty.
▽	387208	(000000-	) Kit, Cl, Alarm, Backup, 36Vdc	1
▲	1 72171	(000000-	) Alarm Assy, Backup, 12-48vdc 82-102dba	1
▲	2 06943	(000000-	) Screw, Hex, M06 X 1.0 X 20, 8.8	2
▲	3 07790	(000000-	) Nut, Hex, Flng, M06 X 1.0	2
▲	4 19066	(000000-	) Washer, Flt, #10	2
▲▽	5 72172	(000000-	) Light, Spot, 36vdc, 60w Rework 72173	1
▲▲	45391	(000000-	) Headlight, 36Vdc, 60 Watt 1.7A	1
▲	6 32486	(000000-	) Washer, Flt, .50 Sae	1
▲	7 39807	(000000-	) Screw, Hex, .50-13 X 0.75, 5	1
▲	8 72174	(000000-	) Guard, Light	1
▲	9 72164	(000000-	) Flasher, 12/48vdc 5a #6309/12-48vdc	1
▲	10 06949	(000000-	) Screw, Hex, M06 X 1.0 X 50, 8.8	2
▲	11 08708	(000000-	) Nut, Hex, Lock, M06 X 1.0, NI	2
▲	12 32483	(000000-	) Washer, Flt, .25 Sae	2
▲	13 398526	(000000-	) Relay, 36vdc, 5a, Spdt, [Greenwich]	1
▲	14 10632-12	(000000-	) Grommet, Rbr, 0.38id, F/ 0.5h, .12matl	1
▲	15 26395-2	(000000-	) Clamp, Cable, Stl, 0.38d X 0.38w, 1h	1
▲	16 32980	(000000-	) Washer, Lock, Int, #10	2
▲	17 38622	(000000-	) Spring	1
▲	18 386606	(000000-	) Harness, Backup Alarm, Shrd	1
▲	19 387158	(000000-	) Bracket, Mtg	1
▲	20 19066	(000000-	) Washer, Flt, #10	5
▲	21 360943	(000000-	) Screw, Pan, #10-14 X 0.75, F/Plstc	6
▲	22 28622	(000000-003545	) Kit, Switch, Micro	1
▲	23 387344	(000000-003545	) Harness, Wire, Jumper, Reverse Switch	1
▲	24 49266	(000000-003545	) Tie, Cable, Nyl, 07.3l .19w 1.8 Max D	4

Fig. 4 - Rear Bumper Kit



**Fig. 4 - Rear Bumper Kit**

	<b>Ref.</b>	<b>Tennant Part No.</b>	<b>Machine Serial Number</b>	<b>Description</b>	<b>Qty.</b>
▽		386417	(000000-	) Kit, Ci, Bumper, Rear	1
▲	1	386415	(000000-	) Bumper, Rear, Rh	1
▲	2	386416	(000000-	) Bumper, Rear, Lh	1
▲	3	09028	(000000-	) Screw, Hex, M10 X 1.5 X 25, Ss	6
▲	4	01686	(000000-	) Washer, Flt, .38 Ss	6
▲	5	08714	(000000-	) Nut, Hex, Lock, M10 X 1.5, NI, Ss	2

Fig. 5 - Overhead Guard Kit

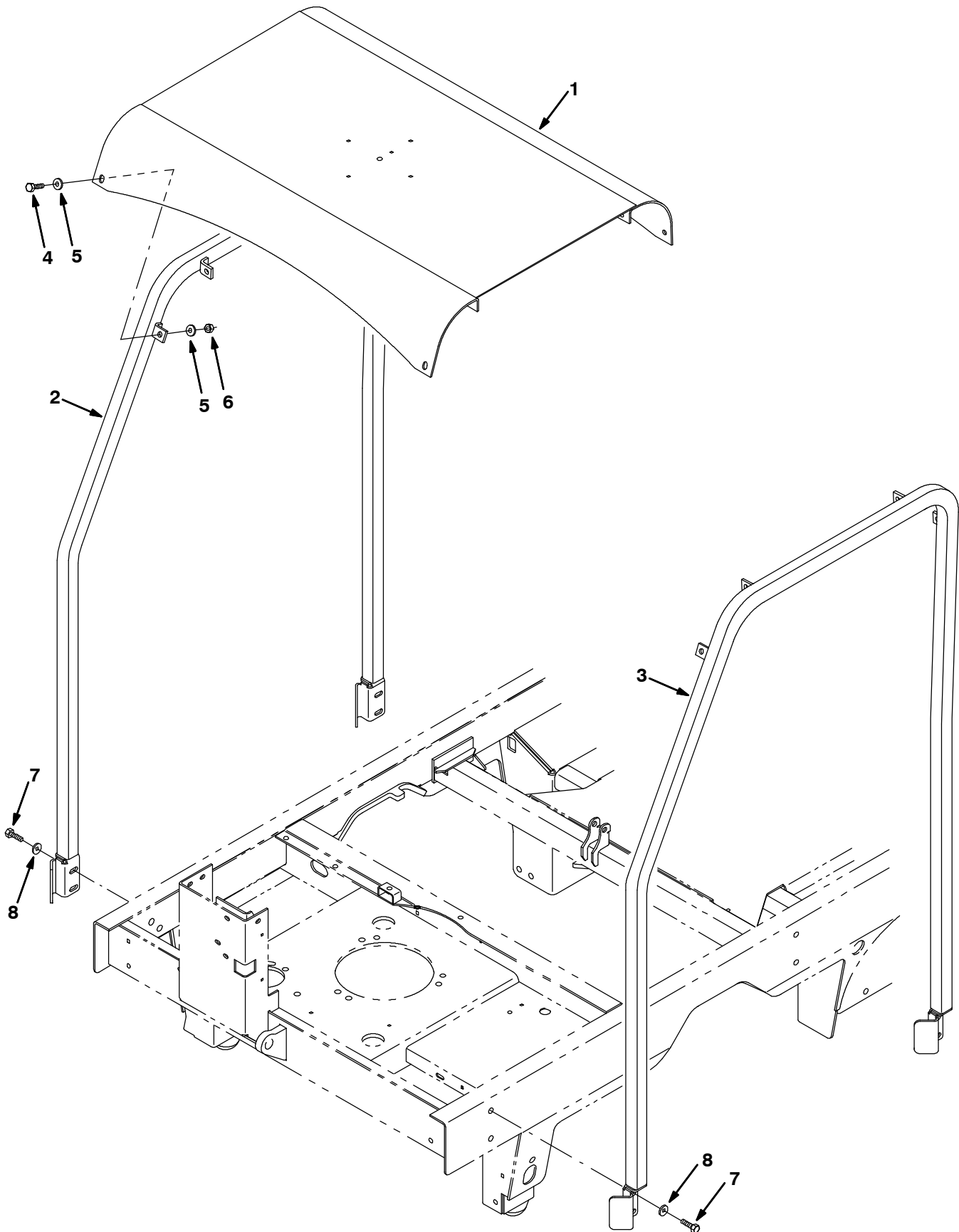
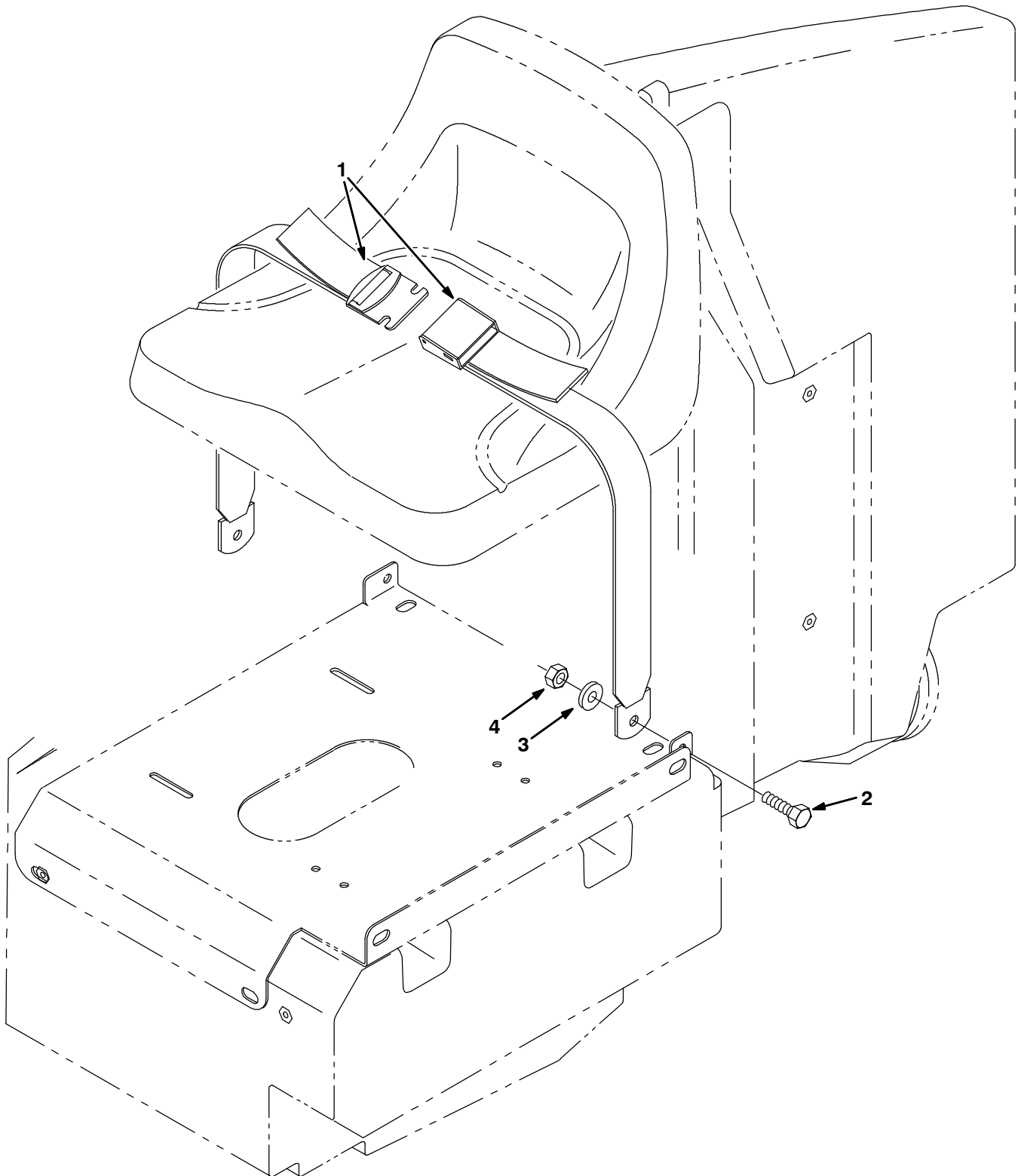




Fig. 5 - Overhead Guard Kit

	<b>Tenant</b>	<b>Machine</b>			
<b>Ref.</b>	<b>Part No.</b>	<b>Serial Number</b>		<b>Description</b>	<b>Qty.</b>
▽	386875	(000000-	)	Kit, Ci, Ohg, [7300/8300]	1
▲	1 386642	(000000-	)	Guard Wldt, Oprtr, Top	1
▲	2 386983	(000000-	)	Tube, Guard, Oprtr, Pnt, Rh	1
▲	3 386984	(000000-	)	Tube, Guard, Oprtr, Pnt, Lh	1
▲	4 06961	(000000-	)	Screw, Hex, M10 X 1.5 X 20, 8.8	8
▲	5 32492	(000000-	)	Washer, Flt, .38 Std	16
▲	6 41430	(000000-	)	Nut, Hex, Lock, M10 X 1.5, NI	8
▲	7 09028	(000000-	)	Screw, Hex, M10 X 1.5 X 25, Ss	8
▲	8 01686	(000000-	)	Washer, Flt, .38 Ss	8

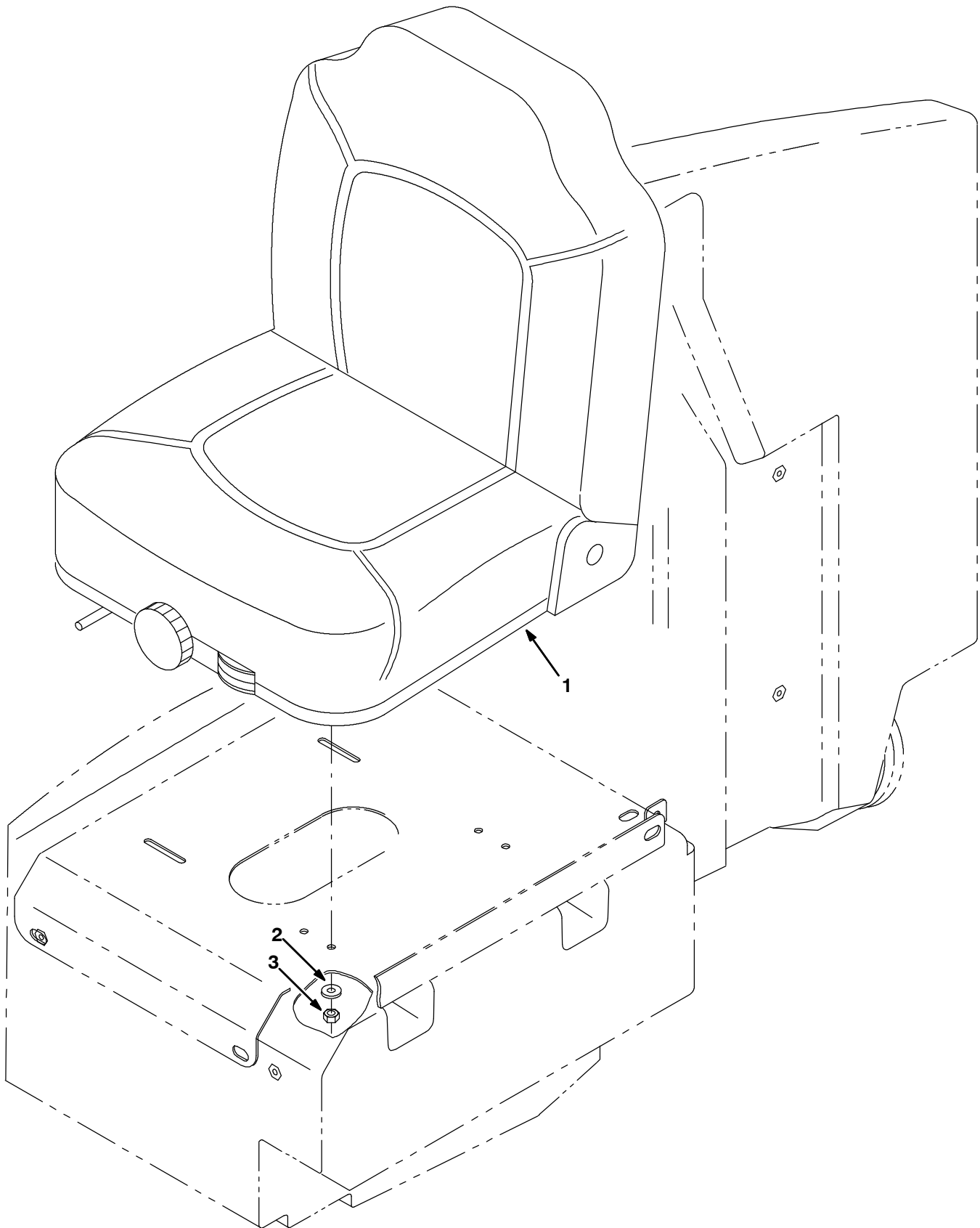
Fig. 6 - Seat Belt Kit



**Fig. 6 - Seat Belt Kit**

	<b>Ref.</b>	<b>Tennant Part No.</b>	<b>Machine Serial Number</b>	<b>Description</b>	<b>Qty.</b>
▽		386958	(000000-	) Kit, Ci, Seatbelt	1
▲	1	30533	(000000-	) Seatbelt	1
▲	2	06961	(000000-	) Screw, Hex, M10 X 1.5 X 20, 8.8	2
▲	3	32493	(000000-	) Washer, Flt, .50 Std	2
▲	4	41430	(000000-	) Nut, Hex, Lock, M10 X 1.5, NI	2

Fig. 7 - Suspension Seat Kit



**Fig. 7 - Suspension Seat Kit**

	<b>Ref.</b>	<b>Tennant Part No.</b>	<b>Machine Serial Number</b>	<b>Description</b>	<b>Qty.</b>
▽		386963	(000000-	) Kit, Ci, Seat, Suspension	1
▲	1	223595	(000000-	) Seat, Suspension	1
▲	2	32491	(000000-	) Washer, Flt, .31 Std	4
▲	3	32983	(000000-	) Nut, Hex, Lock, .31-18, NI	4

Fig. 8 - Left Side Brush Motor and Pivot Group

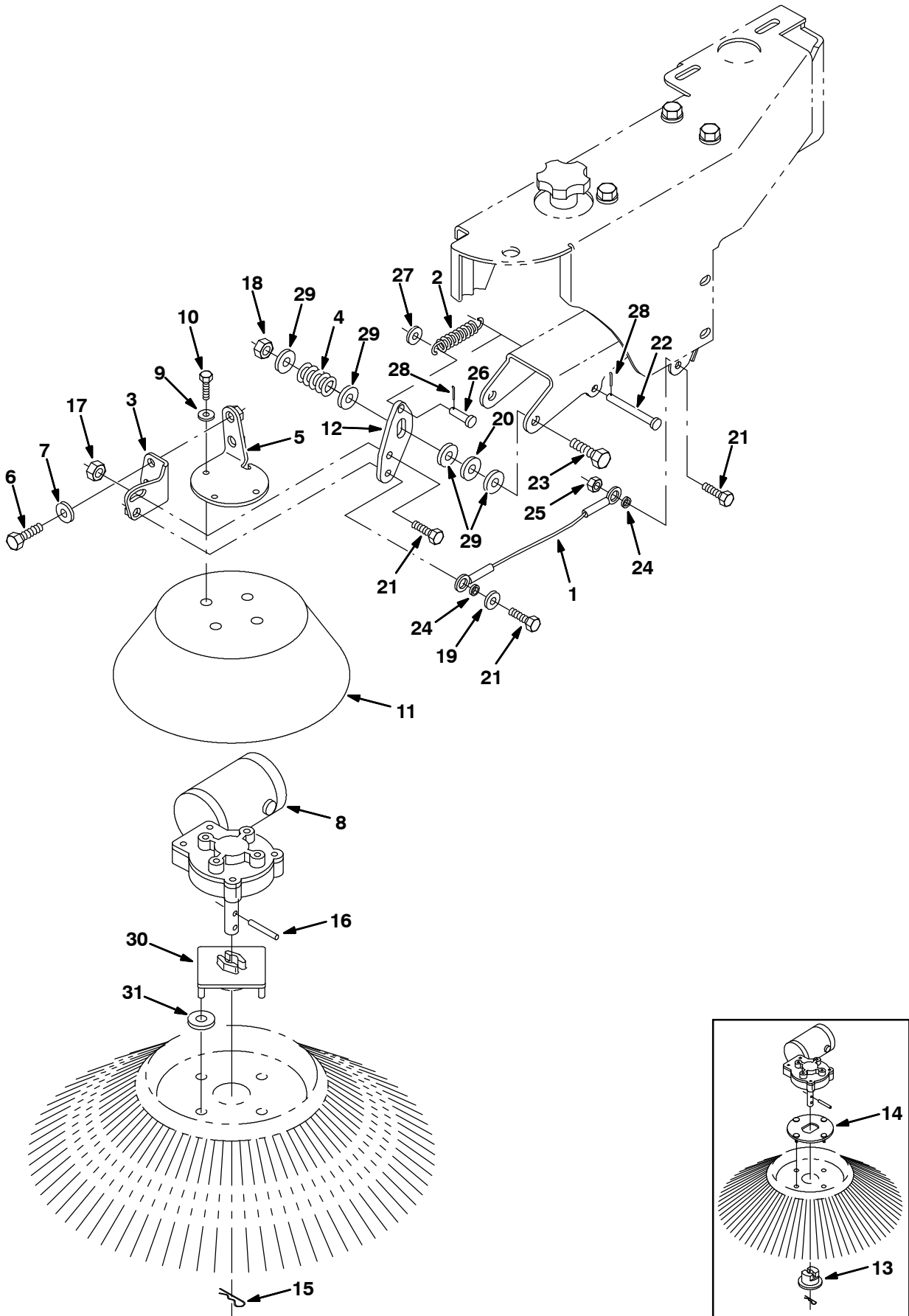


Fig. 8 - Left Side Brush Motor and Pivot Group

Ref.	Tennant Part No.	Machine Serial Number	Description	Qty.
1	87172	(000000-	) Cable, .13d, 10.0l, .51eye /.51eye	1
2	09480	(000000-	) Spring, Extn, 1.10od X 0.15wir, 3.2l	1
3	386668	(000000-	) Bracket, Motor, Mtg	2
4	360357	(000000-	) Spring, Die, 1.00od 0.50id 1.25l	2
5	386662	(000000-	) Bracket, Motor, Mtg	1
6	09770	(000000-	) Screw, Hex, M10 X 1.5 X 25, Ss, NI	2
7	01686	(000000-	) Washer, Flat, .38 Ss	2
▽	8 81767	(000000-003699	) Motor, Ele, 36Vdc, Hp, 0080Rpm, Lh (Rep By 1008275)	1
▲	81919	(000000-003699	) Kit, Brush, Motor	2
▲	80127	(000000-003699	) Cap, Brush	2
▲	369795	(000000-003699	) Brushholder, Motor, Ele	2
▲	369796	(000000-003699	) Clip, Motor, Ele	2
▽	8 1008275	(003700-	) Motor, Ele, 36Vdc 0.08Hp 0068Rpm 04.5A	1
▲	81919	(003700-	) Kit, Brush, Motor, Ele	1
▲	80127	(003700-	) Cap, Brush, Motor, Ele	2
▲	369795	(003700-	) Brushholder, Motor, Ele	2
▲	369796	(003700-	) Clip, Motor, Ele	2
	9 01684	(000000-	) Washer, Flt, .25 Ss	4
	9 01684	(000000-	) Washer, Flt, .25 Ss	4
	10 15678	(000000-	) Screw, Hex, M06 X 1.0 X 16, Ss	4
	11 386666	(000000-	) Guard, Brush, Side	1
	12 386905	(000000-	) Plate	1
	13 386664	(000000-004071	) Adapter, Brush	1
	14 386663	(000000-004071	) Plate, Adapter, Brush	1
	15 44906	(000000-	) Pin, Hair Cotter, 0.69 D .092 Wir	1
	16 11398	(000000-	) Pin, Roll, .250 D X 2.00l, .250/.256	1
	17 07791	(000000-	) Nut, Hex, Flng, M08 X 1.25	1
	18 08711	(000000-	) Nut, Hex, Lock, M12 X 1.75,NI	1
	19 32491	(000000-	) Washer, Flt, .31 Std	1
	20 86860	(000000-	) Bearing, Thrust	1
	21 39277	(000000-	) Screw, Hex, M08 X 1.25 X 25, 8.8	3
	22 57598	(000000-	) Pin, Clevis, 0.37 D X 3.25l	1
	23 06974	(000000-	) Screw, Hex, M12 X 1.75 X 80, 8.8	1
	24 360801	(000000-	) Sleeve	2
	25 08709	(000000-	) Nut, Hex, Lock, M08 X 1.25,NI	1
	26 04733-2	(000000-	) Pin, Clevis, 0.37 D X 0.62l	1
	27 01685	(000000-	) Washer, Flt, .31 Ss	1
	28 39005	(000000-	) Pin, Cotter, .094 X 0.75	2
	29 32486	(000000-	) Washer, Flt, .50 Sae	4
	30 1017441	(004072-	) Plate, Adapter, Brush	1
	31 1017802	(004072-	) Washer, .625 B, 2.50 Od, .211 T, Ss	4

Fig. 9 - Left Side Brush Lift Group

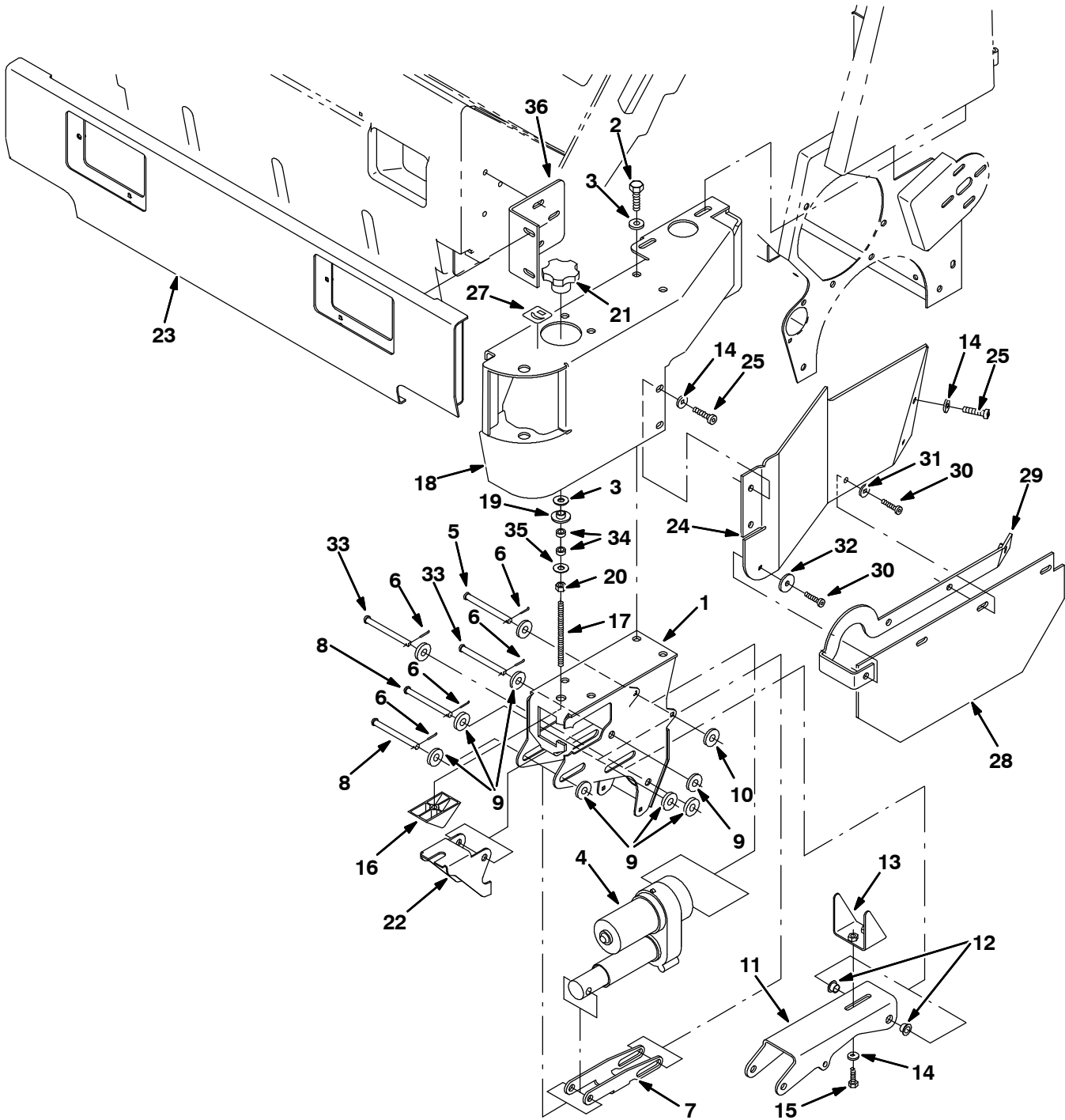




Fig. 9 - Left Side Brush Lift Group

Ref.	Tennant Part No.	Machine Serial Number	Description	Qty.
1	386656	(000000-	) Housing Wldt, Brush, Side	1
2	09291	(000000-	) Screw, Hex, M10 X 1.5 X 20, Ss	4
3	32492	(000000-	) Washer, Flt, .38 Std	4
4	222539	(000000-	) Actuator, 36Vdc, 01.8 Stroke 300Lb	1
5	49914	(000000-	) Pin, Clevis, 0.37D X 4.00L	1
6	39005	(000000-	) Pin, Cotter, .094 X 0.75	5
7	386657	(000000-	) Bracket	1
8	51528	(000000-	) Pin, Clevis, 0.50D X 4.00L	2
9	32486	(000000-	) Washer, Flat, .50 Sae	8
10	32485	(000000-	) Washer, Flt, .38 Sae	2
11	386659	(000000-	) Channel	1
12	15648	(000000-	) Bushing, Flng, 1.50B 0.59D 0.38L	2
13	386660	(000000-	) Bracket	1
14	32491	(000000-	) Washer, Flt, .31 Std	5
15	16931	(000000-	) Screw, Hex, M08 X 1.25 X 20, 8.8	2
16	386658	(000000-	) Block, Adj	1
17	387151	(000000-	) Shaft, Thrd	1
18	386753	(000000-	) Bumper Wldt, Lh	1
19	363087	(000000-	) Spacer, Flanged	1
20	25014	(000000-	) Nut, Hex, Std, .38-16	1
21	41341	(000000-	) Knob, Plastic	1
22	386909	(000000-	) Bracket, Pivot	1
23	386646	(000000-	) Bumper Wldt	1
24	387085	(000000-	) Door, Brush, Lh	1
25	76570	(000000-	) Screw, Hex, M08 X 1.25 X 30, 8.8	3
26	64489	(000000-	) Washer, 0.81b 1.24d .03, Stl, PI	1
27	387405	(000000-	) Label, Brush, Side, Adj	1
28	387468	(000000-	) Skirt	1
29	387478	(000000-	) Strip	1
30	223470	(000000-	) Screw, Btn, M08 X 1.25 X 25, Ss	4
31	39349	(000000-	) Washer, Flt, .31 Sae	3
32	30013	(000000-	) Washer, Flat, .31 Fender	1
33	222196	(000000-	) Pin, Clevis, 0.50 D X 4.00l	2
34	390879	(000000-	) Sleeve, P/M, 0.625D 0.406B 0.38L 430Ss	2
35	32492	(000000-	) Washer, Flat, 0.38 Std	1
36	387317	(000000-	) Angle, Bumper, Mtg, Lh	1

Fig. 10 - Max Pro 1200 (Disc-Brush) Scrub Head Frame Group

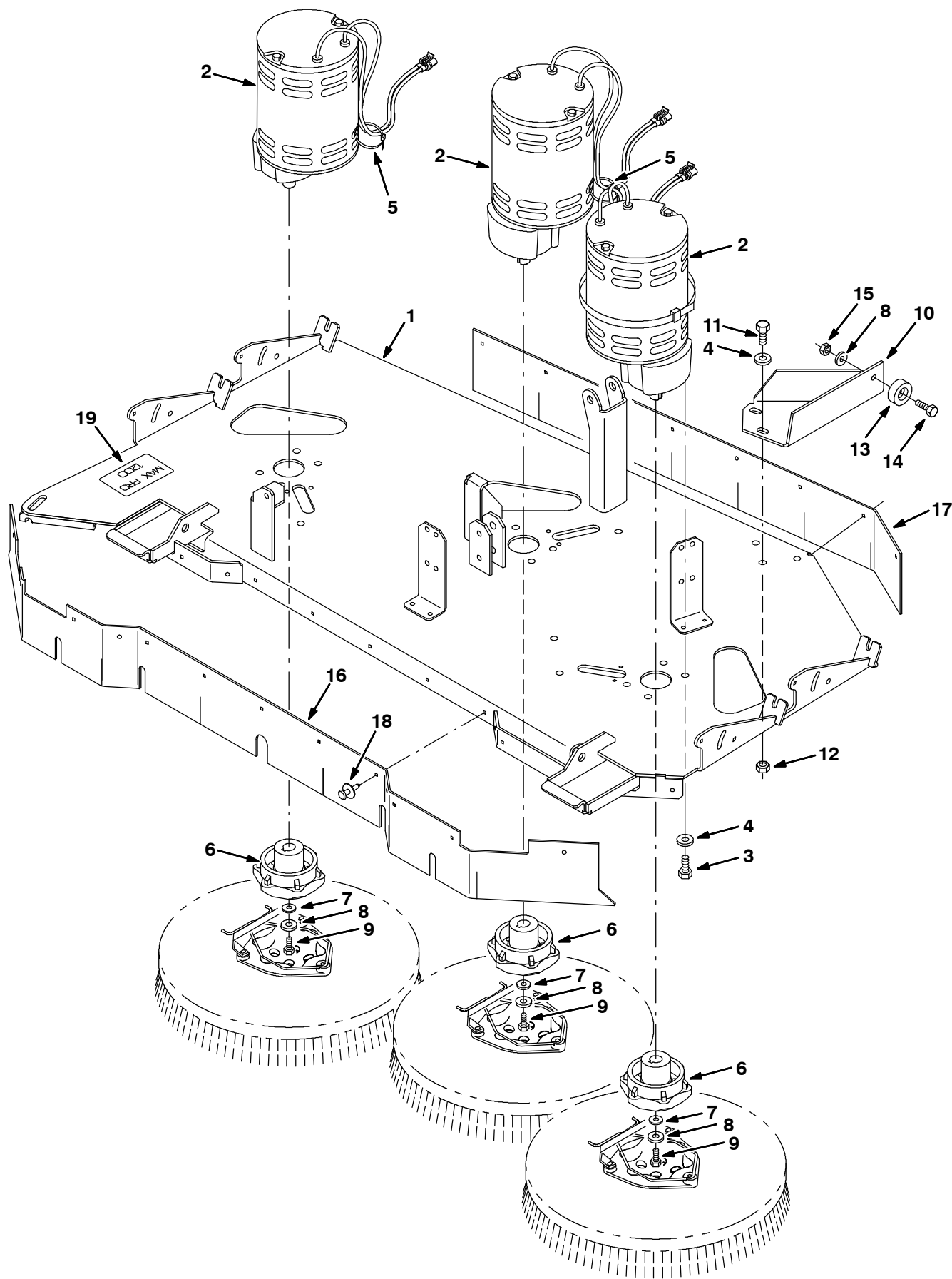


Fig. 10 - Max Pro 1200 (Disc-Brush) Scrub Head Frame Group

Ref.	Tennant Part No.	Machine Serial Number	Description	Qty.
1	386816	(000000-	) Frame Wldt, Scb Head, 3-Brush, Ele	1
2	386687AM	(000000-	) Motor, Gear, Ele, 1.0hp, 36vdc, 300rpm (See Breakdown)	3
3	34195	(000000-	) Screw, Hex, .38-16 X 1.00, NI	12
4	01686	(000000-	) Washer, Flt, .38 Ss	15
5	49263	(000000-	) Tie, Cable, Nyl, 11.4l .19w 3.0 Max D	3
6	377364	(000000-	) Hub, Drive, Brush	3
7	41186	(000000-	) Washer, Belleville, .31	3
8	01685	(000000-	) Washer, Flt, .31 Ss	4
9	32124	(000000-	) Screw, Hex, .31-18 X 1.00, Ss, NI	3
10	378976	(000000-	) Bracket, Stop, Frame	1
11	09028	(000000-	) Screw, Hex, M10 X 1.5 X 25, Ss	3
12	08714	(000000-	) Nut, Hex, Lock, M10 X 1.5, NI, Ss	3
13	15023	(000000-	) Bumper, Pye	1
14	09010	(000000-	) Screw, Hex, M08 X 1.25 X 25, Ss	1
15	08713	(000000-	) Nut, Hex, Lock, M08 X 1.25,NI, Ss	1
16	386825	(000000-	) Skirt, Front, Scrub Head, 3-Brush, Ele	1
17	386826	(000000-	) Skirt, Rear, Scrub Head, 3-Brush, Ele	1
18	72968	(000000-	) Rivet, Plstc, .250 X 0.898	21
19	365156	(000000-	) Label Set, Info/Hzrd, [Maxpro]	1

**Fig. 11 - Max Pro 1200 (Disc-Brush) Scrub Head Linkage Group**

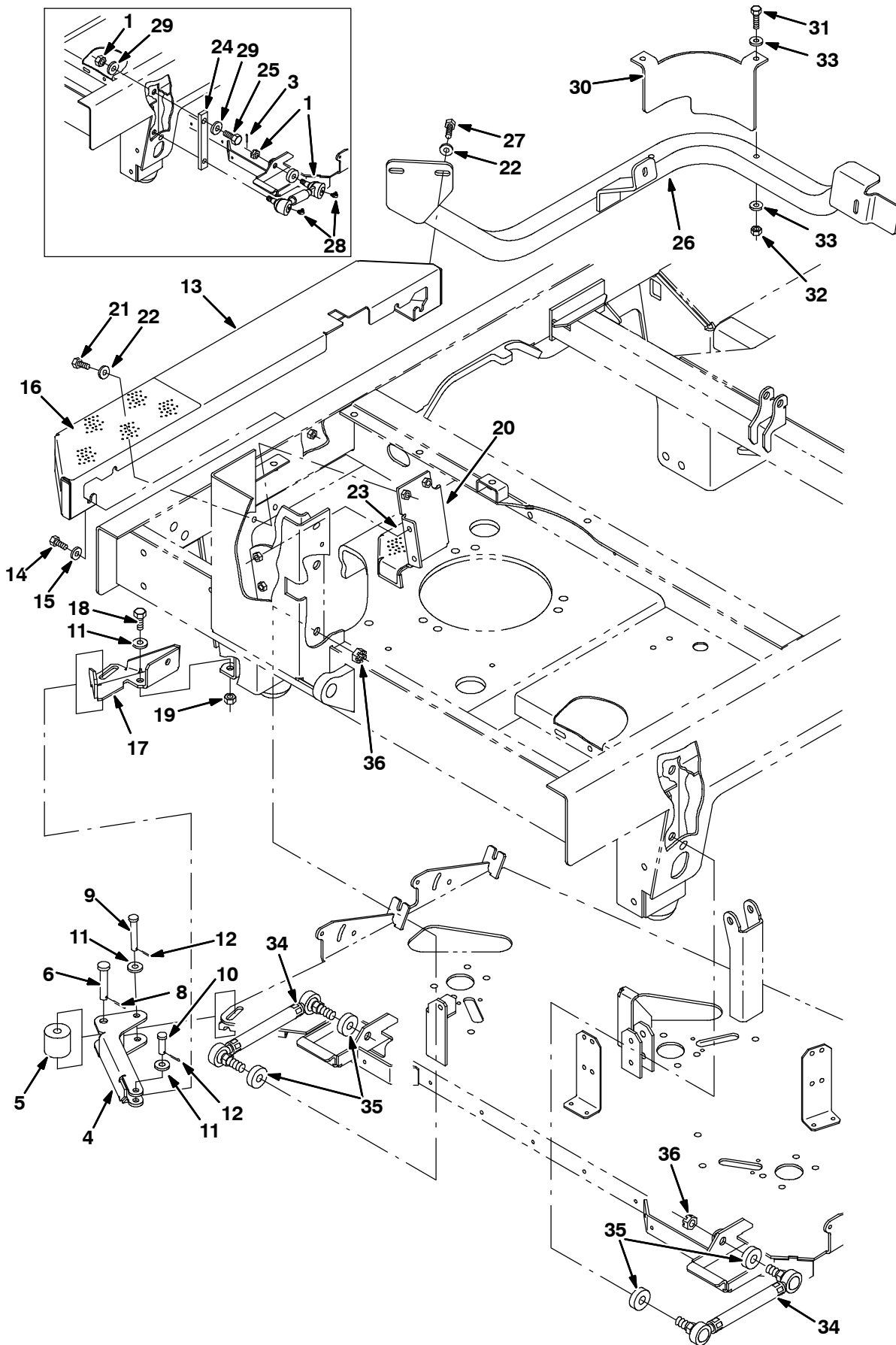
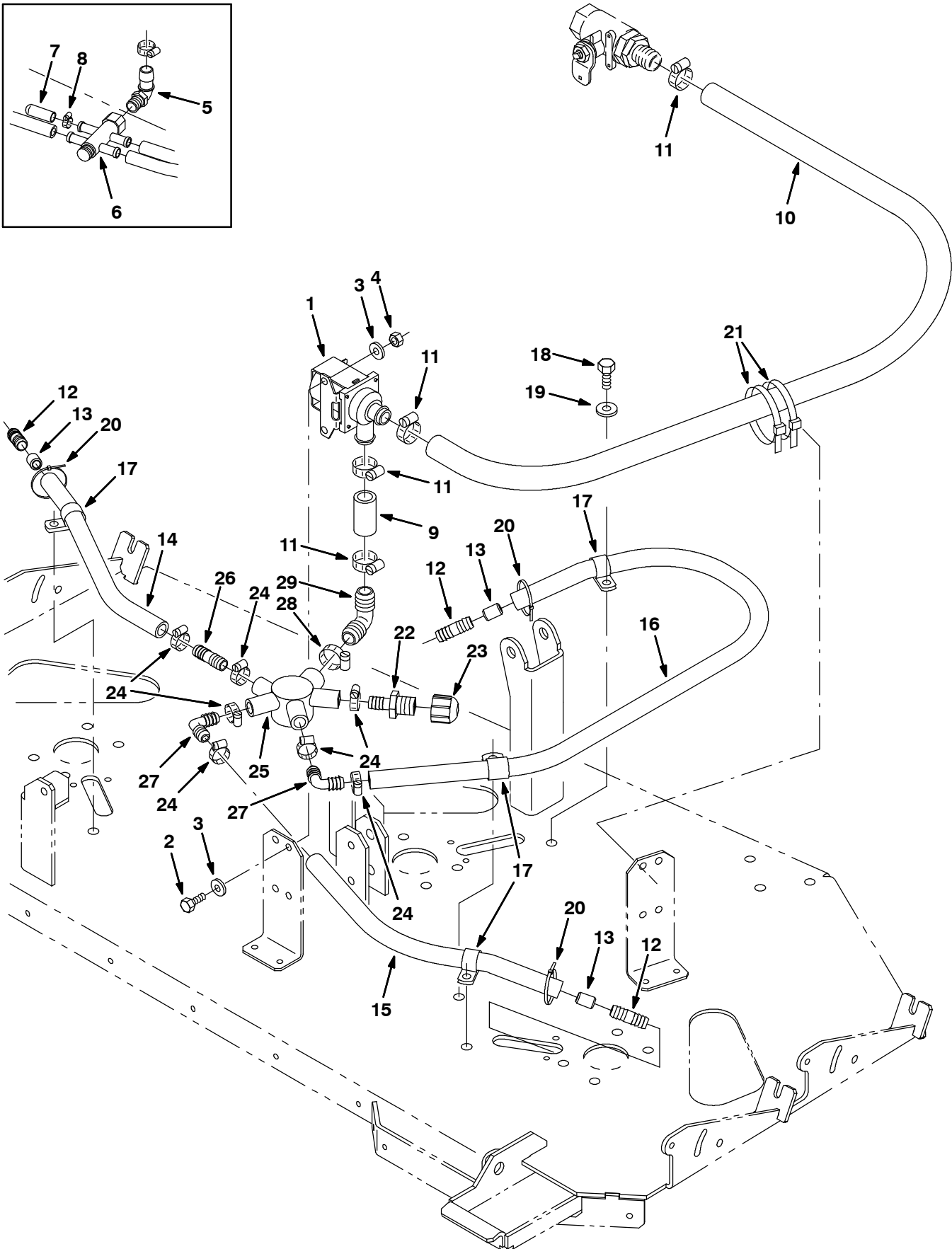


Fig. 11 - Max Pro 1200 (Disc-Brush) Scrub Head Linkage Group

Ref.	Tennant Part No.	Machine Serial Number	Description	Qty.
1	363113	(000000-004780 )	Link Wldt, Head, Drag (Replaced by 9005751)	2
2	14524	(000000-004780 )	Spacer, Washer	2
3	08346	(000000-004780 )	Pin, Cotter, .125 X 0.75	4
4	1001099	(000000- )	Guard, Kick In, Scb Head	1
5	72946	(000000- )	Roller	1
6	06279	(000000- )	Pin, Clevis, 0.50 D X 2.50l	1
7	08711	(000000-004780 )	Nut, Hex, Std, M12 X 2.0	2
8	08182	(000000- )	Pin, Cotter, .125 X 1.00	1
9	365180	(000000- )	Pin, Clevis, 0.38 D X 2.50l	1
10	29557	(000000- )	Pin, Clevis, 0.37 D X 1.31l	1
11	01686	(000000- )	Washer, Flt, .38 Ss	4
12	39005	(000000- )	Pin, Cotter, .094 X 0.75	2
13	386827	(000000- )	Bumper, Side, Scb Head, Wide	1
14	09740	(000000- )	Screw, Hex, M08 X 1.25 X 20, Ss	4
15	32491	(000000- )	Washer, Flt, .31 Std	6
16	387080	(000000- )	Tread, Floor, 12.5 X 5.75	1
17	386876	(000000- )	Bracket, Adaptor, Mtg, Kick In, Frame	1
18	09028	(000000- )	Screw, Hex, M10 X 1.5 X 25, Ss	2
19	08714	(000000- )	Nut, Hex, Lock, M10 X 1.5, NI, Ss	1
20	387162	(000000- )	Bracket	1
21	09740	(000000- )	Screw, Hex, M08 X 1.25 X 20, Ss	4
22	01685	(000000- )	Washer, Flt, .31 Ss	8
23	387230	(000000- )	Tread, Step	1
24	24254	(000000-004780 )	Spacer, Plate	2
25	06969	(000000-004780 )	Screw, Hex, M12 X 1.75 X 40, 8.8	2
26	387245	(000000- )	Guard Wldt, Sqge (MP 20)	1
27	09010	(000000- )	Screw, Hex, M08 X 1.25 X 25, Ss	4
28	09718	(000000-004780 )	Fitting, Grease, E90 Pm04 .75L	4
29	32486	(000000-004780 )	Washer, Flt, .50 Sae	4
30	1007486	(000000- )	Guard, Bumper	1
31	49694	(000000- )	Screw, Hex, M 8 X 1.25 X 50, Ss	2
32	08713	(000000- )	Nut, Hex, Lock, M 8 X 1.25, NI, Ss	2
33	01685	(000000- )	Washer, Flat, 0.31 Ss	2
34	1050193	(004781- )	Link Assy, Rod-End, .63-18	2
35	386081	(004781- )	Tube, 0.69Id 1.25Od 00.4L, Blk, Rod-End	4
36	40814	(004781- )	Nut, Hex, Lock, .62-18, NI, Thin	4

# OPTIONS

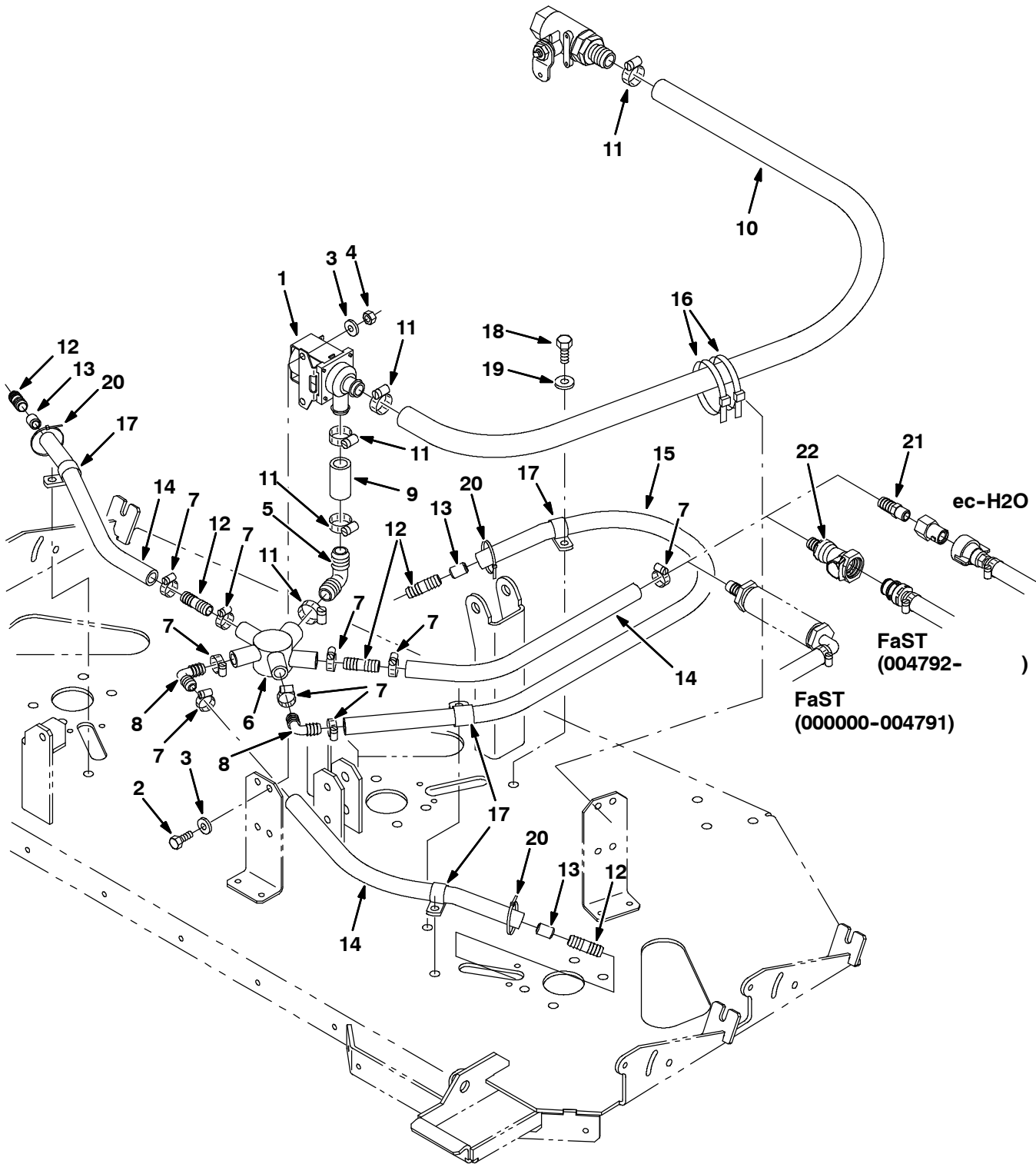
Fig. 12 - Max Pro 1200 (Disc-Brush) Solution Valve Group



**Fig. 12 - Max Pro 1200 (Disc-Brush) Solution Valve Group**

<b>Ref.</b>	<b>Tennant Part No.</b>	<b>Machine Serial Number</b>	<b>Description</b>	<b>Qty.</b>
1	84028	(000000-	) Valve, Water	1
2	15678	(000000-	) Screw, Hex, M06 X 1.0 X 16, Ss	2
3	32490	(000000-	) Washer, Flt, .25 Std	4
4	08712	(000000-	) Nut, Hex, Lock, M06 X 1.0, NI, Ss	2
5	63244-2	(000000-003817	) Fitting, Plstc, E90, Bm12/Pm08	1
6	72950	(000000-003817	) Manifold, Plastic	1
7	20807	(000000-003817	) Cap, Neoprene Black	1
8	54333	(000000-003817	) Clamp, Hose, Wormdrive, 0.31-0.88d	1
9	16914	(000000-	) Hose, Pvc, Brd, 0.75id 1.00od 02.00l	1
10	73474	(000000-	) Hose, Pvc, Brd, 0.75id 1.00od 44.50l	1
11	63810	(000000-	) Clamp, Hose, Wormdrive, 0.56-1.06d, .56w	4
12	364631	(000000-	) Fitting, Plstc, Str, Bm08/Bm08	3
13	77334	(000000-	) Fitting, Plstc, Rst, .50od/.31id	3
14	49142	(000000-	) Hose, Pvc, Brd, 0.50id 0.80od 18.00l	1
15	223515	(000000-	) Hose, Pvc, Brd, 0.50id 0.75od 14.00l	1
16	385682	(000000-	) Hose, Pvc, Brd, 0.50id 0.73od 33.00l	1
17	67767	(000000-	) Clamp, Cable, Stl, 0.69d X 0.62w, 1h	4
18	12273	(000000-	) Screw, Hex, M08 X 1.25 X 20, Ss, NI	4
19	01685	(000000-	) Washer, Flt, .31 Ss	4
20	49266	(000000-	) Tie, Cable, Nyl, 07.3l .19w 1.8 Max D	3
21	44961	(000000-	) Tie, Cable, Nyl, 14.5l .30w 4.0 Max D	2
22	79273-4	(003818-	) Fitting, Plstc, Str, Bm08/Pm08	1
23	1015558	(003818-	) Fitting, Plstc, Cap, Pf08	1
24	54333	(003818-	) Clamp, Hose, Wormdrive, 0.31-0.88d	7
25	1012528	(003818-	) Manifold, Soltn, Cntrl	1
26	364631	(003818-	) Fitting, Plstc, Str, Bm08/Bm08	1
27	63987-1	(003818-	) Fitting, Plstc, E90, Bm08/Bm08	2
28	86824	(003818-	) Clamp, Hose, Wormdrive, 0.50-1.06d	1
29	40566	(003818-	) Fitting, Plstc, E90, Bm12/Bm12	1

**Fig. 13 - Max Pro 1200 (Disc-Brush) Solution Valve Group (FaST/ec-H2O)**





**Fig. 13 - Max Pro 1200 (Disc-Brush) Solution Valve Group (FaST/ec-H2O)**

<b>Ref.</b>	<b>Tennant Part No.</b>	<b>Machine Serial Number</b>	<b>Description</b>	<b>Qty.</b>
1	84028	(000000-	) Valve, Water	1
2	15678	(000000-	) Screw, Hex, M06 X 1.0 X 16, Ss	2
3	32490	(000000-	) Washer, Flt, .25 Std	4
4	08712	(000000-	) Nut, Hex, Lock, M06 X 1.0, NI, Ss	2
5	40566	(000000-	) Fitting, Plstc, E90, Bm12/Bm12	1
6	1012528	(000000-	) Manifold, Soltn, Cntrl	1
7	54333	(000000-	) Clamp, Hose, Wormdrive, 0.31-0.88d	9
8	63987-1	(000000-	) Fitting, Plstc, E90, Bm08/Bm08	2
9	1015048	(000000-	) Hose, Afmkt, Pvc, Brd 0.75id 1 Ft	1
10	1015045	(000000-	) Hose, Afmkt, Pvc, Brd 0.75id 8 Ft	1
11	63810	(000000-	) Clamp, Hose, Wormdrive, 0.56-1.06d, .56w	5
12	364631	(000000-	) Fitting, Plstc, Str, Bm08/Bm08	5
13	77334	(000000-	) Fitting, Plstc, Rst, .50od/.31id	3
14	1011521	(000000-	) Hose, Afmkt Replmt, Pvc, Brd 0.50id 2 Ft	3
15	1006401	(000000-	) Hose, Afmkt Replmt, Pvc, Brd 0.50id 3 Ft	1
16	44961	(000000-	) Tie, Cable, Nyl, 14.5l .30w 4.0 Max D	2
17	67767	(000000-	) Clamp, Cable, Stl, 0.69d X 0.62w, 1h	4
18	12273	(000000-	) Screw, Hex, M08 X 1.25 X 20, Ss, NI	4
19	01685	(000000-	) Washer, Flt, .31 Ss	4
20	49266	(000000-	) Tie, Cable, Nyl, 07.3l .19w 1.8 Max D	3
21	48610	(000000-	) Fitting, Plstc, Str, Bm08/Pm04 (ec-H2O)	1
22	1017413	(003747-	) Housing, Cplg, Qf / Pm08 (FaST)	1

**Fig. 14 - Max Pro 1200 (Disc-Brush) Edge Scrub Group**

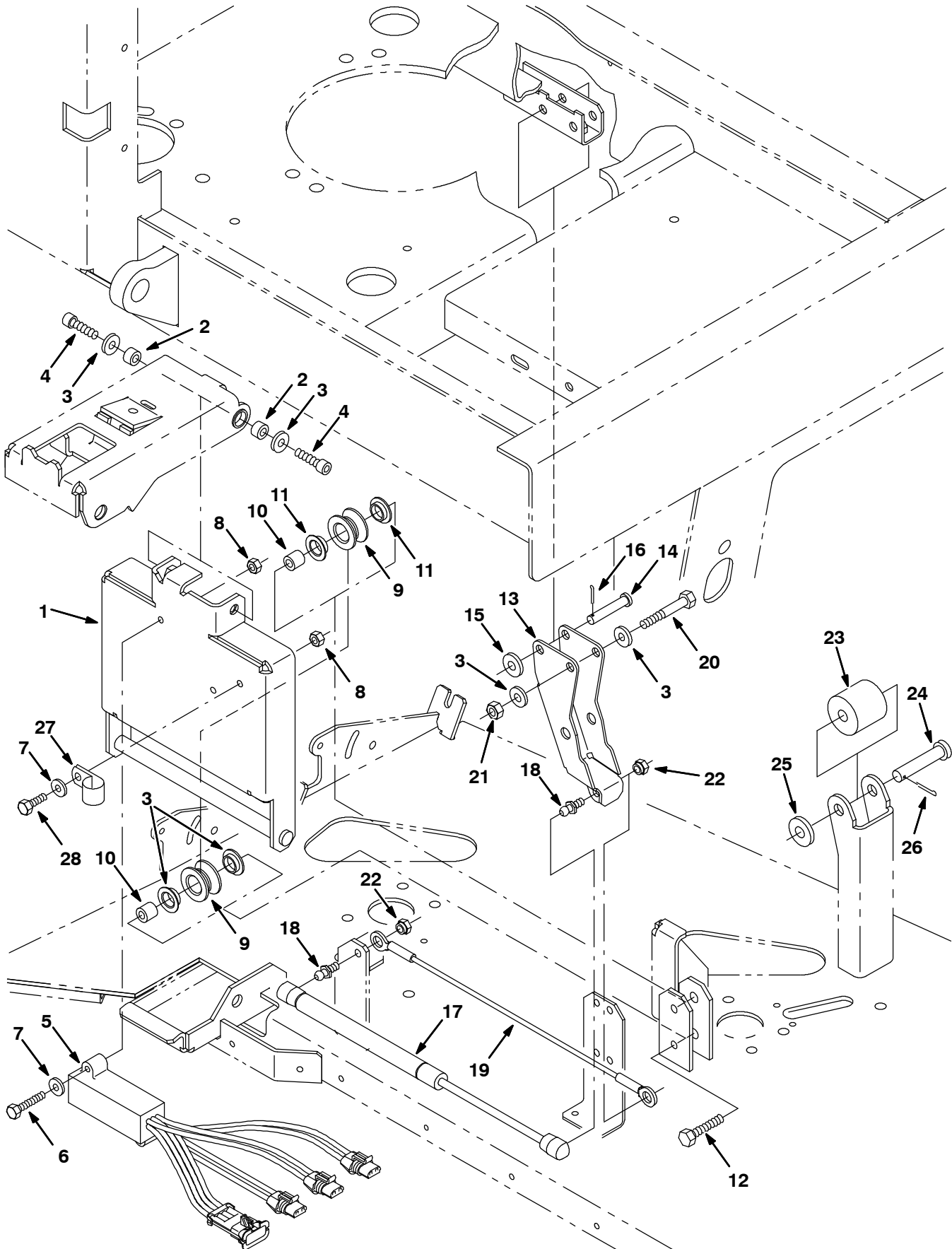


Fig. 14 - Max Pro 1200 (Disc-Brush) Edge Scrub Group

Ref.	Tennant Part No.	Machine Serial Number	Description	Qty.
1	386043	(000000-	) Rail Wldt, Lift, Disk Head	1
2	222556	(000000-	) Sleeve	2
3	01685	(000000-	) Washer, Flt, .31 Ss	4
4	39308	(000000-	) Screw, Soc, M08 X 1.25 X 25, 12.9	2
5	363238	(000000-	) Shunt, 3 Std Mtrs, Scrub 515, Yellow	1
6	33930	(000000-	) Screw, Hex, M06 X 1.0 X 40, Ss	2
7	01684	(000000-	) Washer, Flt, .25 Ss	3
8	08712	(000000-	) Nut, Hex, Lock, M06 X 1.0, NI, Ss	3
9	363120	(000000-	) Roller	2
10	222277	(000000-	) Sleeve	2
11	04843	(000000-	) Bushing, Flng, 0.63b 0.72d 0.25l	4
12	222505	(000000-	) Screw, Hex, M08 X 1.25 X 45, Ss	2
13	386048	(000000-	) Arm Wldt, Pivot, Side, [7300/8300]	1
14	29584	(000000-	) Pin, Clevis, 0.37 D X 2.00l	1
15	01686	(000000-	) Washer, Flt, .38 Ss	1
16	39005	(000000-	) Pin, Cotter, .094 X 0.75	1
17	364858	(000000-	) Gasspring, 56lb, 6.3strk	1
18	58494	(000000-	) Stud, Ball, .39d .31-16, Gasspring	2
19	364404	(000000-	) Cable, .13d, 15.5l, .50eye /.50eye	1
20	77270	(000000-	) Screw, Hex, M08 X 1.25 X 60, Ss	1
21	08713	(000000-	) Nut, Hex, Lock, M08 X 1.25,NI, Ss	1
22	14725	(000000-	) Nut, Retainer, .31-18	2
23	72946	(000000-	) Roller	1
24	06279	(000000-	) Pin, Clevis, 0.50 D X 2.50l	1
25	32493	(000000-	) Washer, Flt, .50 Std	1
26	08182	(000000-	) Pin, Cotter, .125 X 1.00	1
27	67767	(000000-	) Clamp, Cable, Stl, 0.69d X 0.62w, 1h	1
28	08716	(000000-	) Screw, Hex, M06 X 1.0 X 20, Ss	1

Fig. 15 - Max Pro 1200 (Disc-Brush) Right Side Squeegee Group

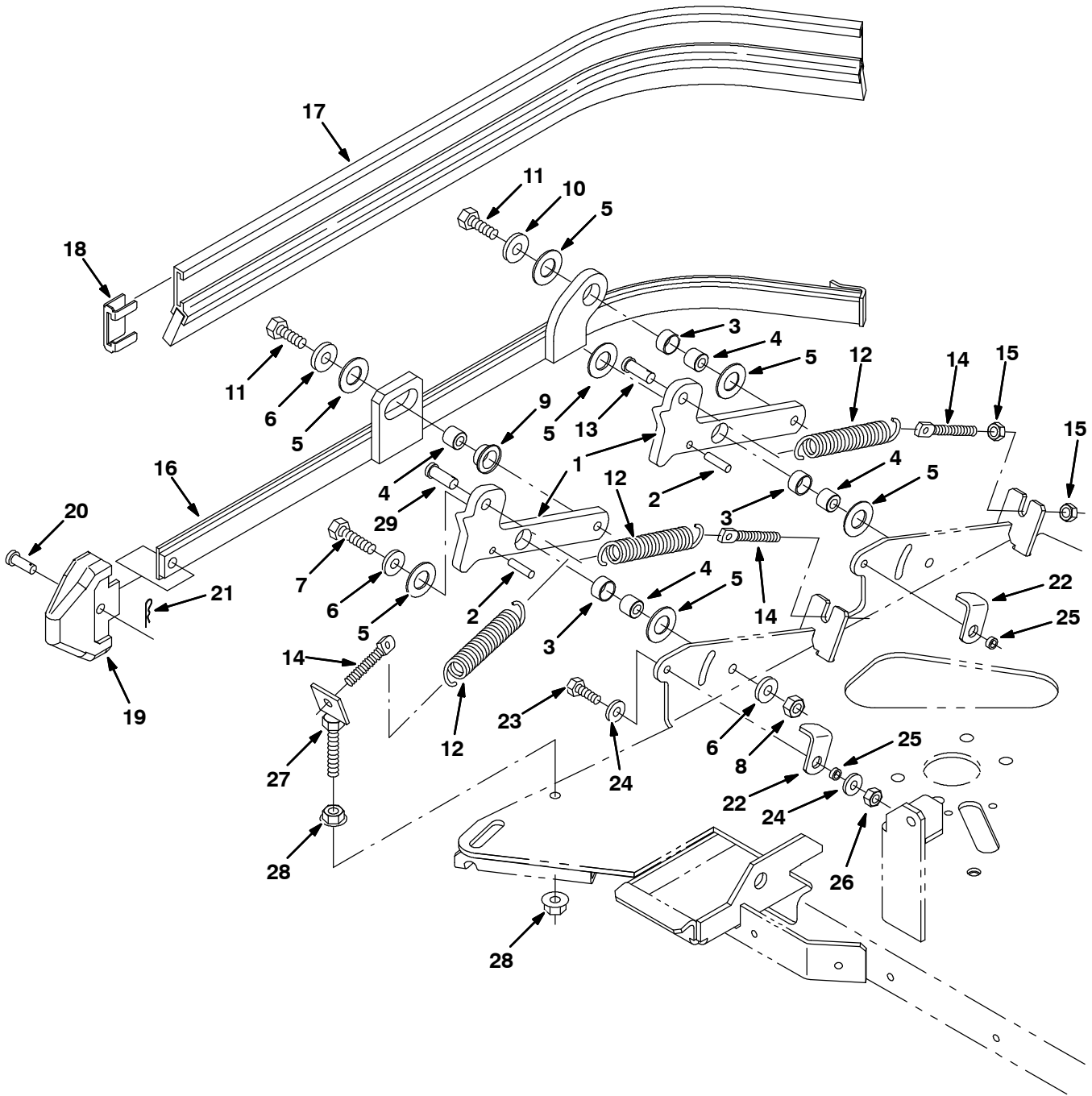
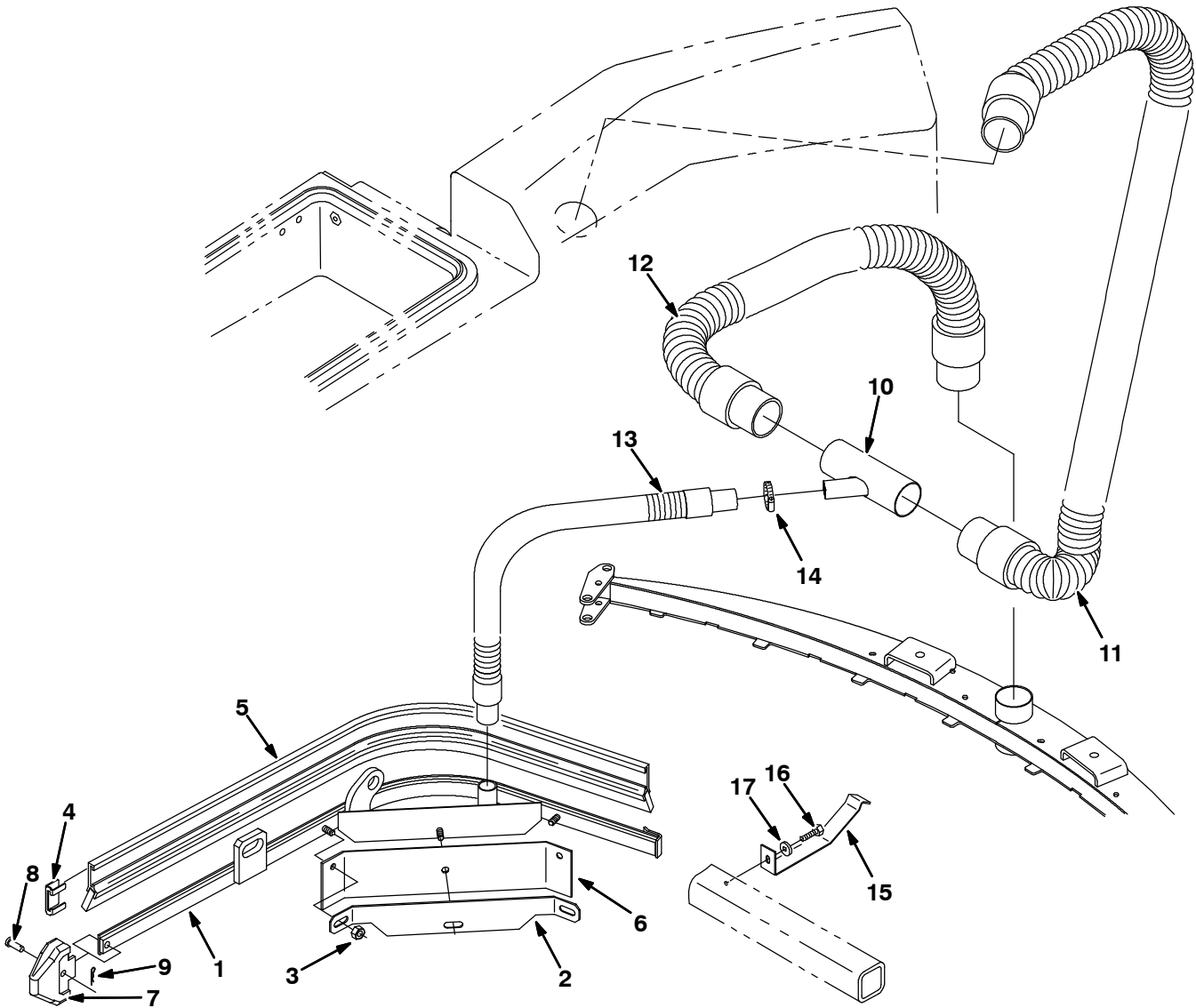


Fig. 15 - Max Pro 1200 (Disc-Brush) Right Side Squeegee Group

Ref.	Tennant Part No.	Machine Serial Number	Description	Qty.
1	386390	(000000-	) Arm, Mtg, Side Sqge Frame, Ele	2
2	17404	(000000-	) Pin, Roll, .250 D X 0.75l, .250/.256	2
3	71607	(000000-	) Bushing, Sleeve, 0.63b 0.72d 0.38l	3
4	386356	(000000-	) Sleeve, .335b X .62d X .52l, Sst	4
5	64425	(000000-	) Washer, Thrust, 0.61b 1.25d .06, Fgl	7
6	01685	(000000-	) Washer, Flt, .31 Ss	5
7	09023	(000000-	) Screw, Hex, M08 X 1.25 X 35, Ss	2
8	08713	(000000-	) Nut, Hex, Lock, M08 X 1.25,NI, Ss	2
9	25735	(000000-	) Bushing, Flng, 0.63b 0.75d 0.38l	1
10	01686	(000000-	) Washer, Flt, .38 Ss	2
11	12333	(000000-	) Screw, Hex, M08 X 1.25 X 25, Ss, NI	2
12	87816	(000000-	) Spring, Extn, 0.75od X 0.09wir, 2.5l	2
13	76653	(000000-	) Pin, Clevis, 0.37 D X 1.00l	2
14	386088	(000000-	) Bolt, Eye, M8 X 1.25, 2.75l	2
15	07786	(000000-	) Nut, Hex, Std, M08 X 1.25, Ss	4
16	386263	(000000-	) Frame Wldt, Sqge, Side, Rh	1
17	386260	(000000-	) Squeegee, Side	1
18	86759	(000000-	) Retainer, Sqge	1
19	386986	(000000-	) Guide, Point, Side Sqge	1
20	386987	(000000-	) Pin, Clevis, 0.31d 0.88l	1
21	86866	(000000-	) Pin, Hair Cotter, 0.38 D .072 Wir	1
22	386391	(000000-	) Latch, Double Scrub, Side Sqge	2
23	08716	(000000-	) Screw, Hex, M06 X 1.0 X 20, Ss	2
24	01684	(000000-	) Washer, Flt, .25 Ss	4
25	80491	(000000-	) Sleeve	2
26	08712	(000000-	) Nut, Hex, Lock, M06 X 1.0, NI, Ss	2
27	1007632	(000000-	) Bracket Wldt, Mtg, Spring	1
28	27980	(000000-	) Nut, Hex, Flng, .38-16	2
29	29568	(000000-	) Angle, 1.00 0.75 .12t 00.8l Hr	1

Fig. 16 - Max Pro 1200 (Disc-Brush) Right Side Vacuumized Squeegee Group



**Fig. 16 - Max Pro 1200 (Disc-Brush) Right Side Vacuumized Squeegee Group**

<b>Ref.</b>	<b>Tennant Part No.</b>	<b>Machine Serial Number</b>	<b>Description</b>	<b>Qty.</b>
1	387509	(000000-	) Frame Assy, Sqge, Side, Vacuum, Rh	1
2	387516	(000000-	) Retainer, Blade, Front	1
3	08713	(000000-	) Nut, Hex, Lock, M08 X 1.25,NI, Ss	3
4	86759	(000000-	) Retainer, Sqge	1
5	387545	(000000-	) Blade Assy, Sqge, Side	1
6	387546	(000000-	) Blade, Squeegee	1
7	386986	(000000-	) Guide, Point, Side Sqge	1
8	386987	(000000-	) Pin, Clevis, 0.31 D X 0.88l	1
9	86866	(000000-	) Pin, Hair Cotter, 0.38 D .072 Wir	1
10	386518	(000000-	) Tube Wldt	1
11	386514	(000000-003545	) Hose, Vacuum, 58.5l	1
11	1005133	(003546-	) Hose Assy, W/2cuff, 2.0d 75l	1
12	387256	(000000-003545	) Hose, Vacuum, 35.0l	1
12	1005135	(003546-	) Hose Assy, W/2cuff, 2.0d 26l	1
13	387517	(000000-003545	) Hose Assy, W/2 Cuff, 1.0d 41.0l	1
13	398802	(003546-	) Hose Assy, W/2 Cuff, 1.0D 44L 1.0/1.0	1
14	11399	(000000-	) Clamp, Hose, Wormdrive, 0.81-1.50d	1
15	1002464	(003546-	) Bracket, Tube , Tee	1
16	361339	(003546-	) Screw, Hex, M 6 X 1.0 X 16, Fmg	1
17	32483	(003546-	) Washer, Flat, 0.25 Sae	1

Fig. 17 - Max Pro 1200 (Disc-Brush) Left Side Squeegee Group

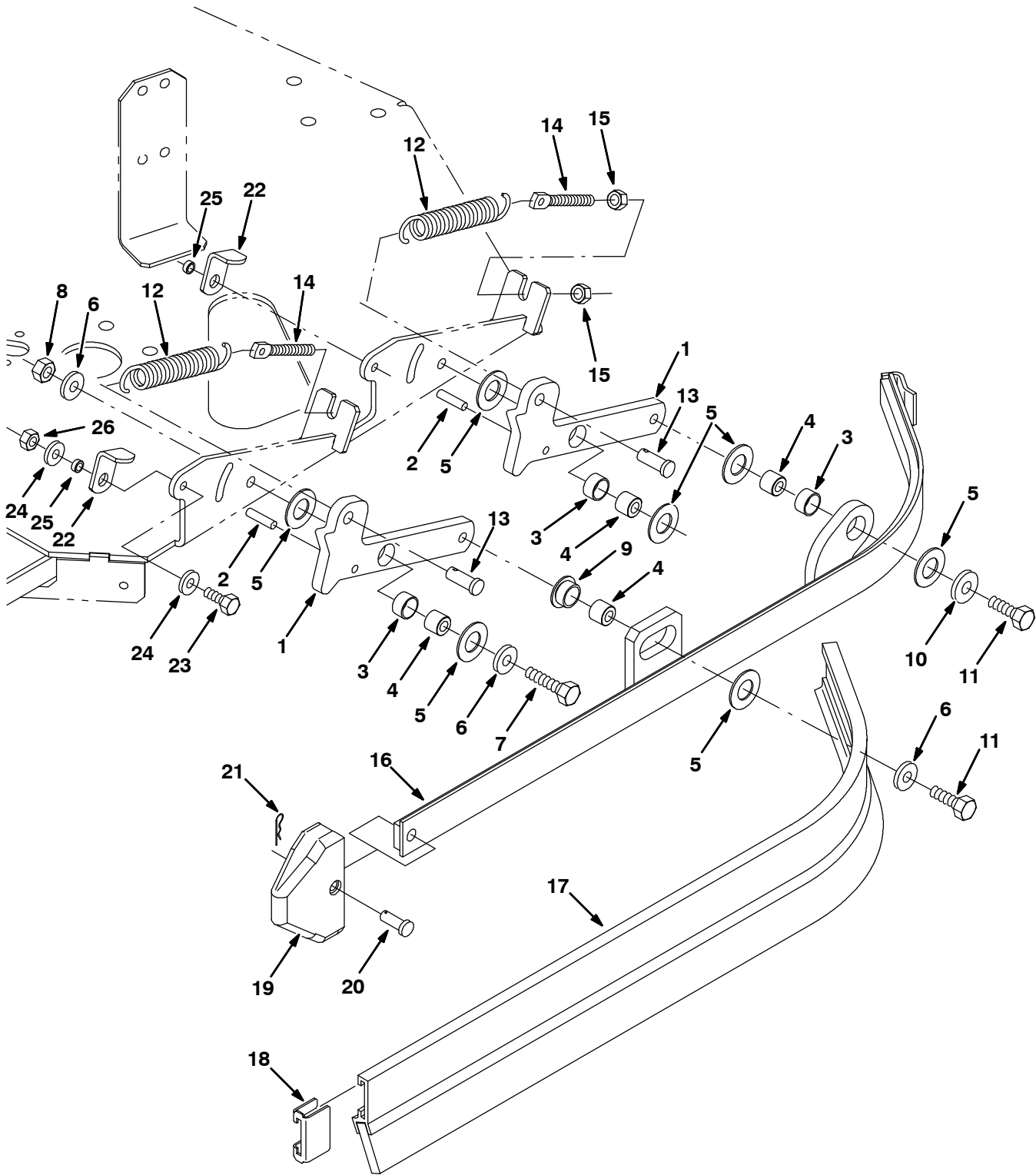




Fig. 17 - Max Pro 1200 (Disc-Brush) Left Side Squeegee Group

Ref.	Tennant Part No.	Machine Serial Number	Description	Qty.
1	386390	(000000-	) Arm, Mtg, Side Sqge Frame, Ele	2
2	17404	(000000-	) Pin, Roll, .250 D X 0.75l, .250/.256	2
3	71607	(000000-	) Bushing, Sleeve, 0.63b 0.72d 0.38l	3
4	386356	(000000-	) Sleeve, .335b X .62d X .52l, Sst	4
5	64425	(000000-	) Washer, Thrust, 0.61b 1.25d .06, Fgl	7
6	01685	(000000-	) Washer, Flt, .31 Ss	5
7	09023	(000000-	) Screw, Hex, M08 X 1.25 X 35, Ss	2
8	08713	(000000-	) Nut, Hex, Lock, M08 X 1.25, NI, Ss	2
9	25735	(000000-	) Bushing, Flng, 0.63b 0.75d 0.38l	1
10	01686	(000000-	) Washer, Flt, .38 Ss	2
11	12333	(000000-	) Screw, Hex, M08 X 1.25 X 25, Ss, NI	2
12	87816	(000000-	) Spring, Extn, 0.75od X 0.09wir, 2.5l	2
13	76653	(000000-	) Pin, Clevis, 0.37 D X 1.00l	2
14	386088	(000000-	) Bolt, Eye, M8 X 1.25, 2.75l	2
15	07786	(000000-	) Nut, Hex, Std, M08 X 1.25, Ss	4
16	386262	(000000-	) Frame Wldt, Sqge, Side, Lh	1
17	386260	(000000-	) Squeegee, Side	1
18	86759	(000000-	) Retainer, Sqge	1
19	386986	(000000-	) Guide, Point, Side Sqge	1
20	386987	(000000-	) Pin, Clevis, 0.31d 0.88l	1
21	86866	(000000-	) Pin, Hair Cotter, 0.38 D .072 Wir	1
22	386391	(000000-	) Latch, Double Scrub, Side Sqge	2
23	08716	(000000-	) Screw, Hex, M06 X 1.0 X 20, Ss	2
24	01684	(000000-	) Washer, Flt, .25 Ss	4
25	80491	(000000-	) Sleeve	2
26	08712	(000000-	) Nut, Hex, Lock, M06 X 1.0, NI, Ss	2

Fig. 18 - Max Pro 1000 (Cylindrical Brush) Scrub Head Frame and Linkage Group

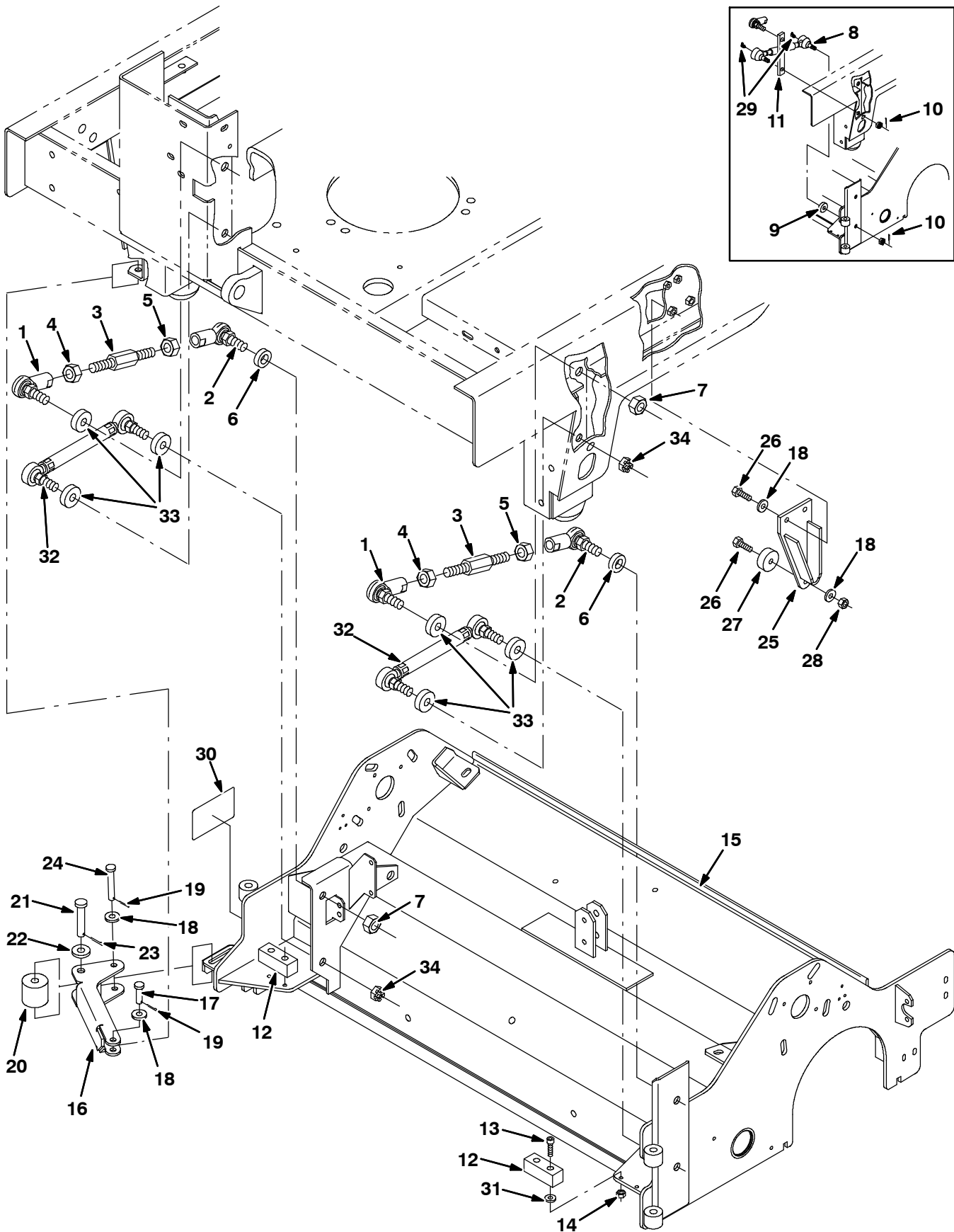


Fig. 18 - Max Pro 1000 (Cylindrical Brush) Scrub Head Frame and Linkage Group

Ref.	Tennant Part No.	Machine Serial Number	Description	Qty.
1	77275	(000000-	) Rod-End, .62-18rh Fem 0.50-18stud	2
2	386070	(000000-	) Rod-End, .625-18, Lh	2
3	386071	(000000-	) Rod, Link	2
4	77276	(000000-	) Nut, Hex, Jam, .62-18, Ss	2
5	77277	(000000-	) Nut, Hex, Jam, .62-18, Ss, Lh	2
6	386081	(000000-	) Spacer, Rod-End	2
7	40814	(000000-	) Nut, Hex, Lock, .62-18, NI, Thin	4
8	363113	(000000-004780	) Link Wldt, Head, Drag (Replaced by 9005751)	2
9	14524	(000000-004780	) Spacer, Washer	2
10	08346	(000000-004780	) Pin, Cotter, .125 X 0.75	4
11	386844	(000000-004780	) Spacer, Plate	2
12	386865	(000000-	) Bumper	2
13	24198	(000000-	) Screw, Pan, M05 X 0.8 X 25, Ss	4
14	09739	(000000-	) Nut, Hex, Lock, M05 X 0.8, NI, Ss	4
15	386099	(000000-	) Housing Wldt, Brush	1
16	1001099	(000000-	) Guard, Kick In, Scb Head	1
17	29557	(000000-	) Pin, Clevis, 0.37 D X 1.31l	1
18	01686	(000000-	) Washer, Flt, .38 Ss	5
19	39005	(000000-	) Pin, Cotter, .094 X 0.75	2
20	72946	(000000-	) Roller	1
21	06279	(000000-	) Pin, Clevis, 0.50 D X 2.50l	1
22	32493	(000000-	) Washer, Flt, .50 Std	1
23	08182	(000000-	) Pin, Cotter, .125 X 1.00	1
24	365180	(000000-	) Pin, Clevis, 0.38 D X 2.50l	1
25	386493	(000000-	) Plate Wldt, Stop	1
26	09010	(000000-	) Screw, Hex, M08 X 1.25 X 25, Ss	3
27	15023	(000000-	) Bumper, Pye	1
28	08713	(000000-	) Nut, Hex, Lock, M08 X 1.25,NI, Ss	1
29	09718	(000000-004780	) Fitting, Grease, E90 Pm04 .75L	4
30	365156	(000000-	) Label Set, Info/Hzrd, [Max Pro]	1
31	13248	(000000-	) Washer, 0.40B 1.12D .12, Stl, PI	4
32	1050193	(004781-	) Link Assy, Rod-End, .63-18	2
33	386081	(004781-	) Tube, 0.69ld 1.25Od 00.4L, Blk, Rod-End	4
34	40814	(004781-	) Nut, Hex, Lock, .62-18, NI, Thin	4

Fig. 19 - Max Pro 1000 (Cylindrical Brush) Scrub Head Drive Group

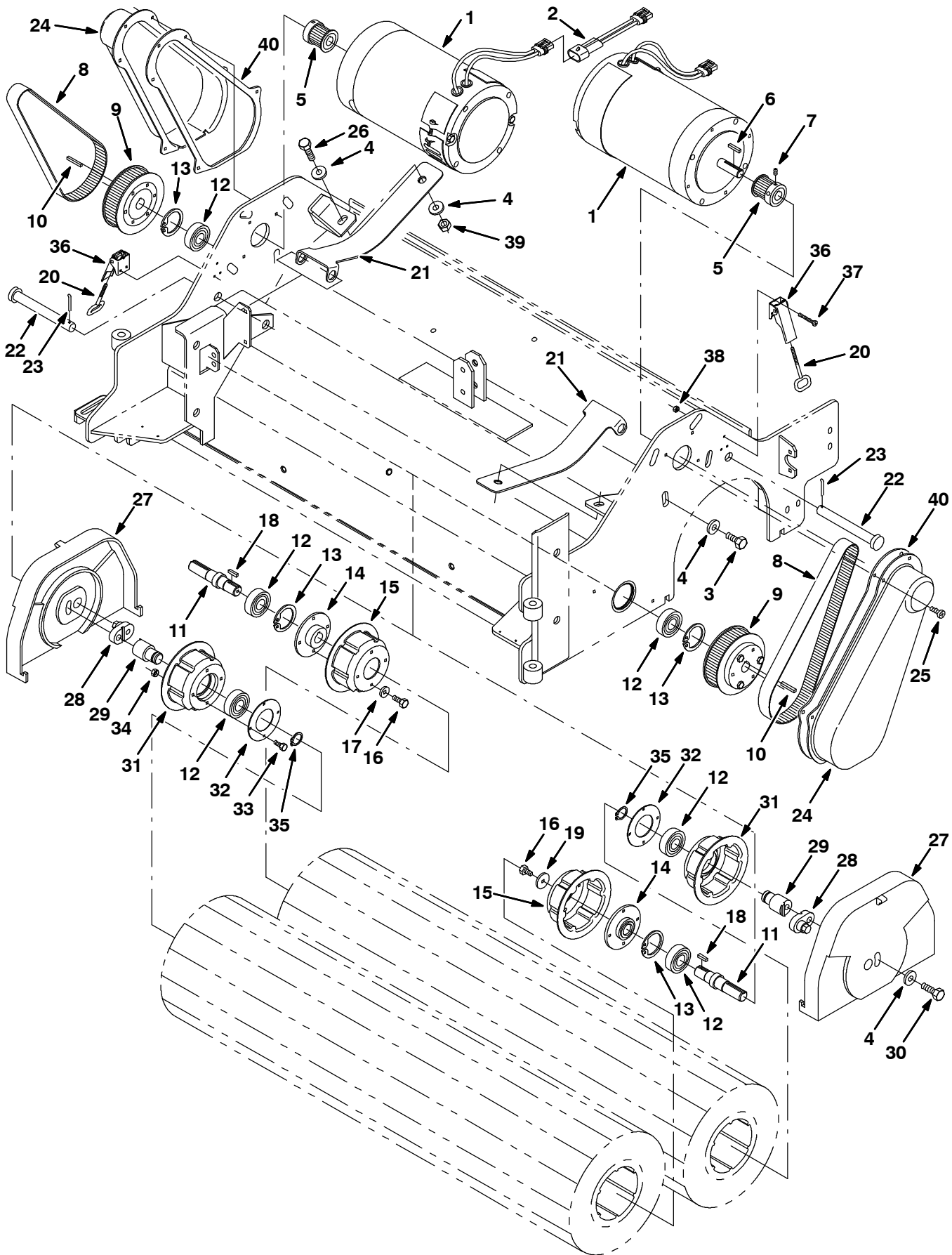


Fig. 19 - Max Pro 1000 (Cylindrical Brush) Scrub Head Drive Group

Ref.	Tennant Part No.	Machine Serial Number	Description	Qty.	
1	386050	(000000-003887 )	Motor, Ele, 36vdc 1500rpm 1.5hp (See Breakdown) (Repl By 377398AM)	2	
▽	1	377398	(003888- )	Motor, Ele, 36Vdc 1.50Hp 1500Rpm 43.0A	2
▲	621478	(002094- )	Brush, Carbon	2	
2	363468	(000000- )	Wire Assy, Jumper Reverse, [515]	1	
3	09291	(000000- )	Screw, Hex, M10 X 1.5 X 20, Ss	8	
4	01686	(000000- )	Washer, Flt, .38 Ss	14	
5	83052	(000000- )	Sprocket, Timing, 23tooth, 0.625b	2	
6	00912	(000000- )	Key, Sq, 0.19 X 0.19, 01.00l	2	
7	39323	(000000- )	Screw, Set, #10-32 X 0.38, Al	4	
8	386053	(000000- )	Belt, Drive (Cylindrical Brush)	2	
9	375301	(000000- )	Sprocker, Timing, 4.26Pd, 68 Grv, PI	2	
10	00918	(000000- )	Key, Sq, 0.19 X 0.19, 01.25l	2	
11	386058	(000000- )	Shaft, Drive, Brush	2	
12	46390	(000000- )	Bearing, Ball, 0.79b 1.85d 0.55w	6	
13	10464	(000000- )	Ring, Retaining, Int, 1.85d, Basic	4	
14	386062	(000000- )	Collar Wldt	2	
15	386067	(000000- )	Plug, Drive, Brush, Splined	2	
16	15678	(000000- )	Screw, Hex, M06 X 1.0 X 16, Ss	10	
17	01684	(000000- )	Washer, Flt, .25 Ss	8	
18	00911	(000000- )	Key, Sq, 0.19 X 0.19, 00.75l	2	
19	386063	(000000- )	Washer, 0.25b 1.12d .12, Ss	2	
20	386274	(000000- )	Hook Wldt, Latch	2	
21	1011713	(000000- )	Spring, Motor	2	
22	386072	(000000- )	Pin, Clevis, .625 Dia X 5.25l	2	
23	02942	(000000- )	Pin, Hair Cotter, 0.62 D .120 Wir	2	
24	386066	(000000- )	Cover, Drive	2	
25	48732	(000000- )	Screw, Pan, M06 X 1.0 X 10, Ss	10	
26	12317	(000000- )	Screw, Hex, M10 X 1.5 X 30, Ss	2	
27	386080	(000000- )	Cover, Idler	2	
28	386841	(000000- )	Cam, Front	2	
29	386842	(000000- )	Cam, Rear	2	
30	12317	(000000- )	Screw, Hex, M10 X 1.5 X 30, Ss	2	
31	81818	(000000- )	Plug, Drive, Brush, Splined	2	
32	35836	(000000- )	Retainer, Bearing	2	
33	09738	(000000- )	Screw, Hex, M05 X 0.8 X 12, Ss	8	
34	06549	(000000- )	Nut, Hex, Lock, M05 X 0.8, NI	8	
35	26428	(000000- )	Ring, Retaining, Ext, 0.75d, Hd	2	
36	386257	(000000- )	Latch	2	
37	09198	(000000- )	Screw, Pan, M04 X 0.7 X 35, Ss	6	
38	33932	(000000- )	Nut, Hex, Lock, M04 X 0.7, NI, Ss	6	
39	08714	(000000- )	Nut, Hex, Lock, M10 X 1.5, NI, SS	2	
40	1001062	(000000- )	Gasket, Cover	2	

Fig. 20 - Max Pro 1000 (Cylindrical Brush) Solution Valve Group

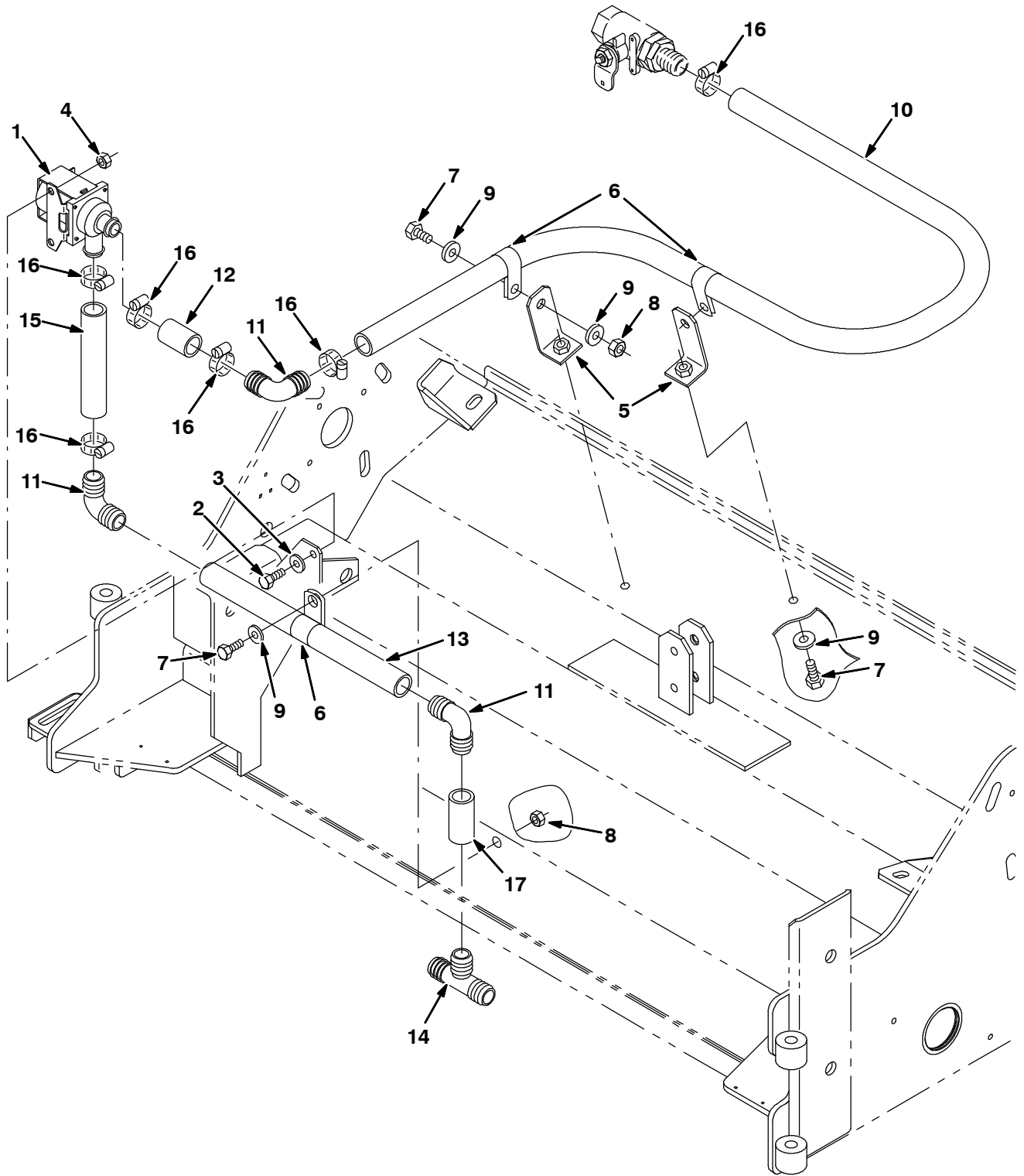


Fig. 20 - Max Pro 1000 (Cylindrical Brush) Solution Valve Group

Ref.	Tennant Part No.	Machine Serial Number	Description	Qty.
1	84028	(000000-	) Valve, Water	1
2	15678	(000000-	) Screw, Hex, M06 X 1.0 X 16, Ss	2
3	01684	(000000-	) Washer, Flt, .25 Ss	2
4	08712	(000000-	) Nut, Hex, Lock, M06 X 1.0, NI, Ss	2
5	386490	(000000-	) Angle	2
6	69234	(000000-	) Clamp, Cable, Stl, 1.00d X 0.62w, 1h	3
7	15675	(000000-	) Screw, Hex, M08 X 1.25 X 16, Ss	7
8	08709	(000000-	) Nut, Hex, Lock, M08 X 1.25,NI	5
9	01685	(000000-	) Washer, Flt, .31 Ss	9
10	73474	(000000-	) Hose, Pvc, Brd, 0.75id 1.00od 44.50l	1
11	40566	(000000-	) Fitting, Plstc, E90, Bm12/Bm12	3
12	364899	(000000-	) Hose, Pvc, Brd, 0.75id 1.03od 01.50l	1
13	364896	(000000-	) Hose, Pvc, Brd, 0.75id 1.03od 11.00l	1
14	41315	(000000-	) Fitting, Plstc, Tee, Bm12/Bm12/Bm12	1
15	364895	(000000-	) Hose, Pvc, Brd, 0.75ID 1.03OD 05.00L	1
16	11399	(000000-	) Clamp, Hose, Wormdrive, 0.81-1.50d	6
17	16914	(000000-	) Hose, Pvc, Brd, 0.75ID 1.00OD 02.00L	1

# OPTIONS

Fig. 21 - Max Pro 1000 (Cylindrical Brush) Solution Valve Group (FaST/ec-H2O)

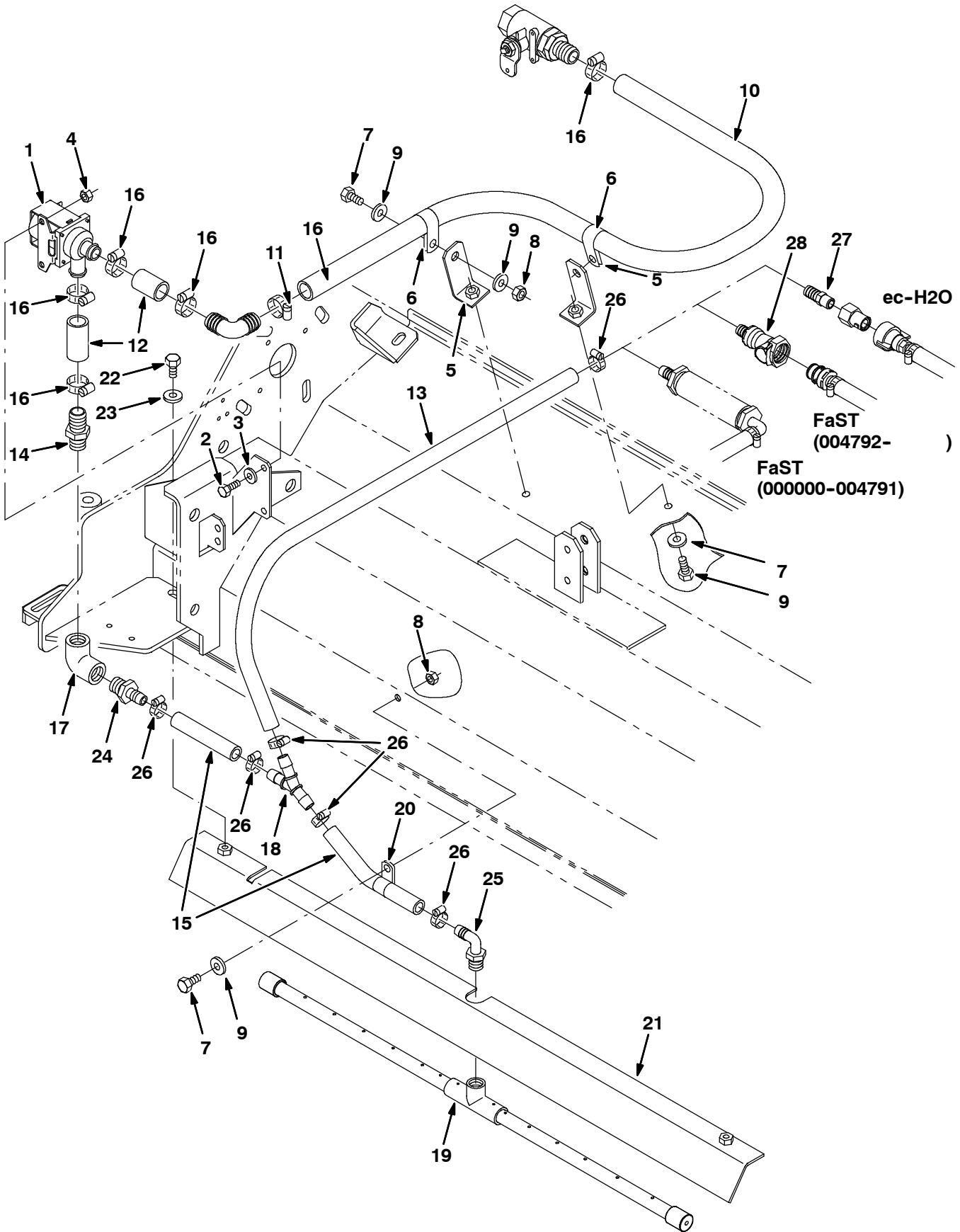
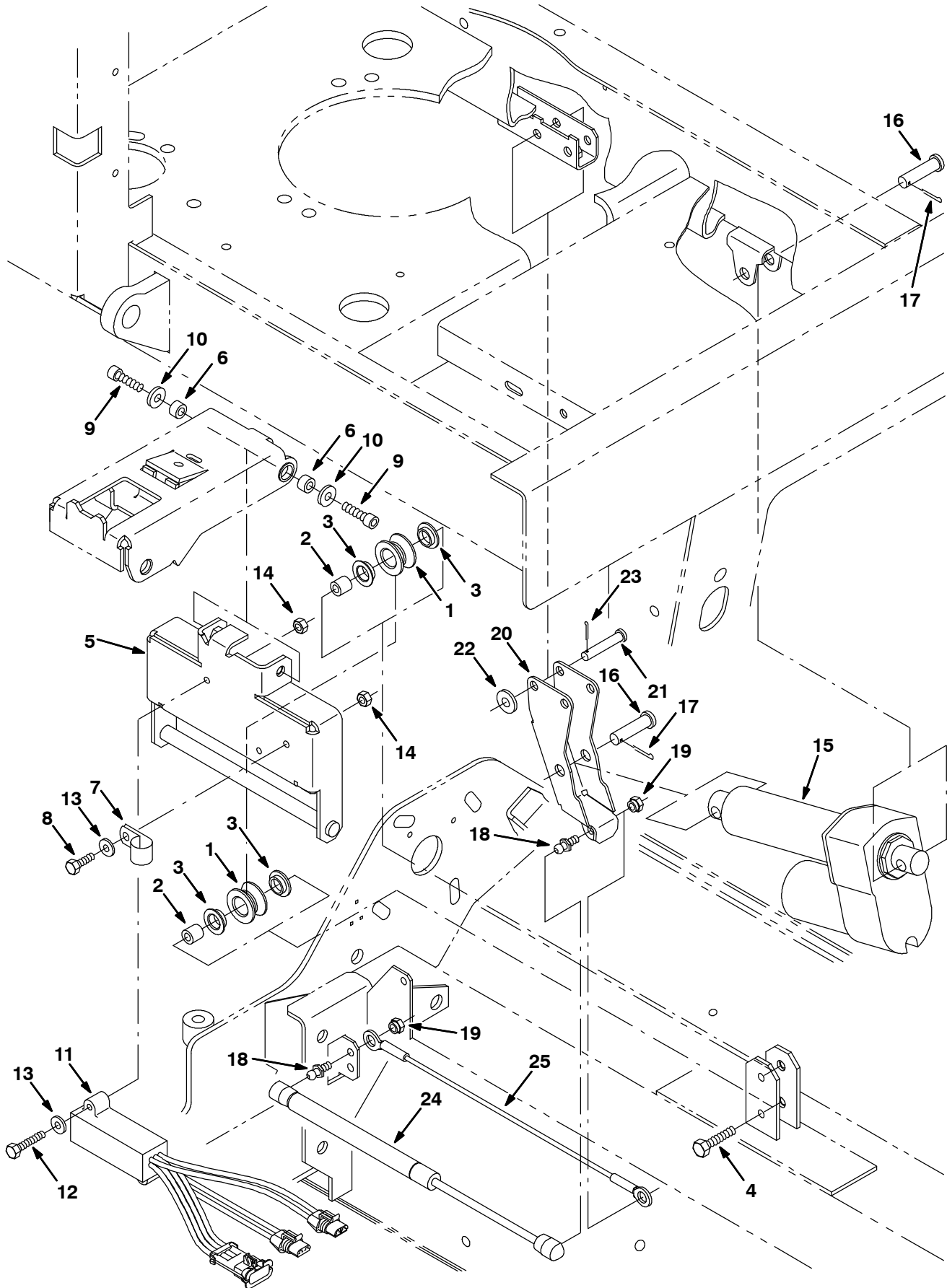




Fig. 21 - Max Pro 1000 (Cylindrical Brush) Solution Valve Group (FaST/ec-H2O)

Ref.	Tennant Part No.	Machine Serial Number	Description	Qty.
1	84028	(000000-	) Valve, Water	1
2	15678	(000000-	) Screw, Hex, M06 X 1.0 X 16, Ss	2
3	01684	(000000-	) Washer, Flt, .25 Ss	2
4	08712	(000000-	) Nut, Hex, Lock, M06 X 1.0, NI, Ss	2
5	386490	(000000-	) Angle	2
6	69234	(000000-	) Clamp, Cable, Stl, 1.00d X 0.62w, 1h	2
7	15675	(000000-	) Screw, Hex, M08 X 1.25 X 16, Ss	5
8	08709	(000000-	) Nut, Hex, Lock, M08 X 1.25,NI	3
9	01685	(000000-	) Washer, Flt, .31 Ss	7
10	1015045	(000000-	) Hose, Afmkt, Pvc, Brd 0.75id 8 Ft	1
11	40566	(000000-	) Fitting, Plstc, E90, Bm12/Bm12	3
12	1015048	(000000-	) Hose, Afmkt, Pvc, Brd 0.75id 1 Ft	1
13	1011521	(000000-	) Hose, Afmkt Replmt, Pvc, Brd 0.50id 2 Ft	1
14	78398	(000000-	) Fitting, Plstc, Str, Bm12/Pm08, Nyl	1
15	1011403	(000000-	) Hose, Afmkt Replmt, Pvc, Brd 0.50id 1 Ft	1
16	11399	(000000-	) Clamp, Hose, Wormdrive, 0.81-1.50d	6
17	79572	(000000-	) Fitting, Plstc, E90, Pf08/Pf08	1
18	1010668	(000000-	) Fitting, Plstc, Y, Bm08/Bm08/Bm08 Nyl	1
19	1015097	(000000-	) Tube Assy, Spray Bar 40" [7300/8300]	1
20	07471	(000000-	) Clamp, Cable, Stl, 0.75d X 0.75w, 1h	1
21	1015090	(000000-	) Bracket, Spray Bar, 40" [7300/8300]	1
22	49826	(000000-	) Screw, Hex, M8 X 1.25 X 16, Ss, NI	2
23	32492	(000000-	) Washer, Flat, 0.38 Std	2
24	79273-4	(000000-	) Fitting, Plstc, Str, Bm08/Pm08	1
25	64778	(000000-	) Fitting, Plstc, E90, Bm08/Pm06	1
26	54333	(000000-	) Clamp, Hose, Wormdrive, 0.31-0.88d	6
27	48610	(000000-	) Fitting, Plstc, Str, Bm08/Pm04 (ec-H2O)	1
28	1017413	(004792-	) Housing, Cplg, Qf / Pm08 (FaST)	1

Fig. 22 - Max Pro 1000 (Cylindrical Brush) Edge Scrub Group



**Fig. 22 - Max Pro 1000 (Cylindrical Brush) Edge Scrub Group**

<b>Ref.</b>	<b>Tennant Part No.</b>	<b>Machine Serial Number</b>	<b>Description</b>	<b>Qty.</b>
1	363120	(000000-	) Roller	2
2	222277	(000000-	) Sleeve	2
3	04843	(000000-	) Bushing, Flng, 0.63b 0.72d 0.25l	4
4	222505	(000000-	) Screw, Hex, M08 X 1.25 X 45, Ss	2
5	386040	(000000-	) Rail Wldt, Lift, Cyl Head	1
6	222556	(000000-	) Sleeve	2
7	67767	(000000-	) Clamp, Cable, Stl, 0.69d X 0.62w, 1h	1
8	08716	(000000-	) Screw, Hex, M06 X 1.0 X 20, Ss	1
9	39308	(000000-	) Screw, Soc, M08 X 1.25 X 25, 12.9	2
10	01685	(000000-	) Washer, Flt, .31 Ss	2
11	363237	(000000-	) Shunt, 2Hd Mtrs, Scrub 515, Red	1
12	33930	(000000-	) Screw, Hex, M06 X 1.0 X 40, Ss	2
13	01684	(000000-	) Washer, Flt, .25 Ss	3
14	08712	(000000-	) Nut, Hex, Lock, M06 X 1.0, NI, Ss	3
15	363152	(000000-	) Actuator, 36vdc, 02.7stroke 500lb	1
16	63147	(000000-	) Pin, Clevis, 0.50 D X 1.87l	2
17	08182	(000000-	) Pin, Cotter, .125 X 1.00	2
18	58494	(000000-	) Stud, Ball, .39d .31-16, Gasspring	2
19	14725	(000000-	) Nut, Retainer, .31-18	2
20	386048	(000000-	) Arm Wldt, Pivot, Side, [7300/8300]	1
21	29584	(000000-	) Pin, Clevis, 0.37 D X 2.00l	1
22	01686	(000000-	) Washer, Flt, .38 Ss	1
23	39005	(000000-	) Pin, Cotter, .094 X 0.75	1
24	364858	(000000-	) Gasspring, 56lb, 6.3strk	1
25	364404	(000000-	) Cable, .13d, 15.5l, .50eye /.50eye	1

Fig. 23 - Max Pro 1000 (Cylindrical Brush) Right Side Squeegee Group

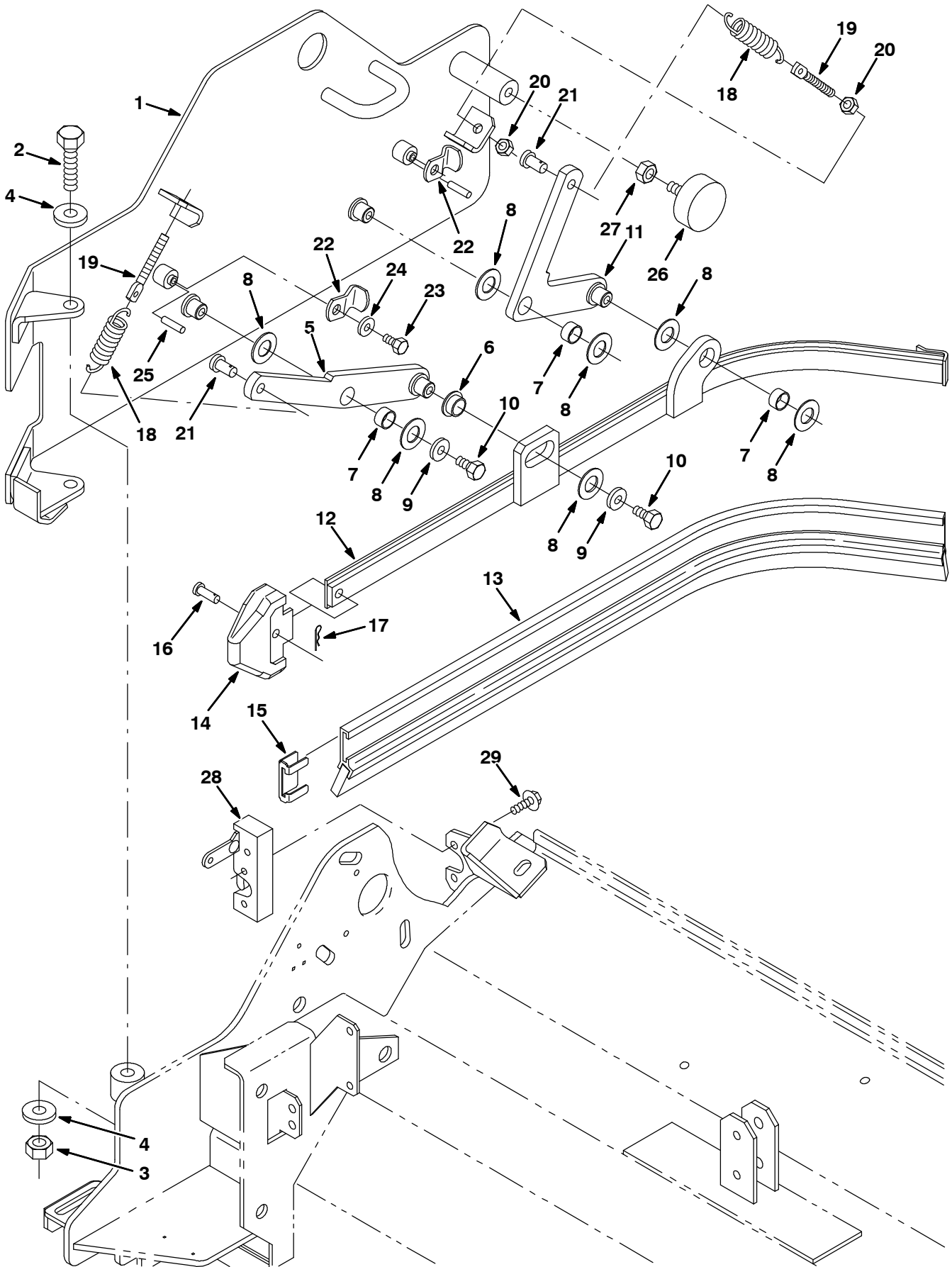


Fig. 23 - Max Pro 1000 (Cylindrical Brush) Right Side Squeegee Group

Ref.	Tennant Part No.	Machine Serial Number	Description	Qty.
1	386495	(000000-	) Guard Wldt, Rh	1
2	09774	(000000-	) Screw, Hex, M12 X 1.75 X 50, Ss	2
3	09741	(000000-	) Nut, Hex, Lock, M12 X 1.75,NI, Ss	2
4	33925	(000000-	) Washer, Flat, M12, 13x24x2.5ss	4
5	386269	(000000-	) Arm Wldt, Front, Rh	1
6	25735	(000000-	) Bushing, Fling, 0.63b 0.75d 0.38l	1
7	71607	(000000-	) Bushing, Sleeve, 0.63b 0.72d 0.38l	3
8	64425	(000000-	) Washer, Thrust, 0.61b 1.25d .06, Fgl	7
9	01686	(000000-	) Washer, Flt, .38 Ss	4
10	386868	(000000-	) Screw, Hex, M08x1.25 X12,Ss	4
11	386268	(000000-	) Arm Wldt, Rear, Rh	1
12	386263	(000000-	) Frame Wldt, Sqge, Side, Rh	1
13	386260	(000000-	) Squeegee, Side	1
14	386986	(000000-	) Guide, Point, Side Sqge	1
15	86759	(000000-	) Clip, Sqge	1
16	386987	(000000-	) Pin, Clevis, 0.31d 0.88l	1
17	08085	(000000-	) Pin, Hair Cotter, 0.31 D .058 Wir	1
18	87816	(000000-	) Spring, Extn, 0.75od X 0.09wir, 2.5l	2
19	386088	(000000-	) Bolt, Eye, M8 X 1.25, 2.75l	2
20	07786	(000000-	) Nut, Hex, Std, M08 X 1.25, Ss	4
21	41305	(000000-	) Pin, Clevis, 0.37 D X 0.75l	2
22	386507	(000000-	) Arm, Latch	2
23	09744	(000000-	) Screw, Hex, M06 X 1.0 X 12, Ss	2
24	01684	(000000-	) Washer, Flt, .25 Ss	2
25	17404	(000000-	) Pin, Roll, .250 D X 0.75l, .250/.256	2
26	70756	(000000-	) Bumper, Rbr, 2.0d 0.75t .38-16	1
27	01692	(000000-	) Nut, Hex, Std, .38-16, Ss	1
28	72439	(000000-	) Latch	1
29	16949	(000000-	) Screw, Hex, .25-20 X 0.75, Sems	4

Fig. 24 - Max Pro 1000 (Cylindrical Brush) Left Side Squeegee Group

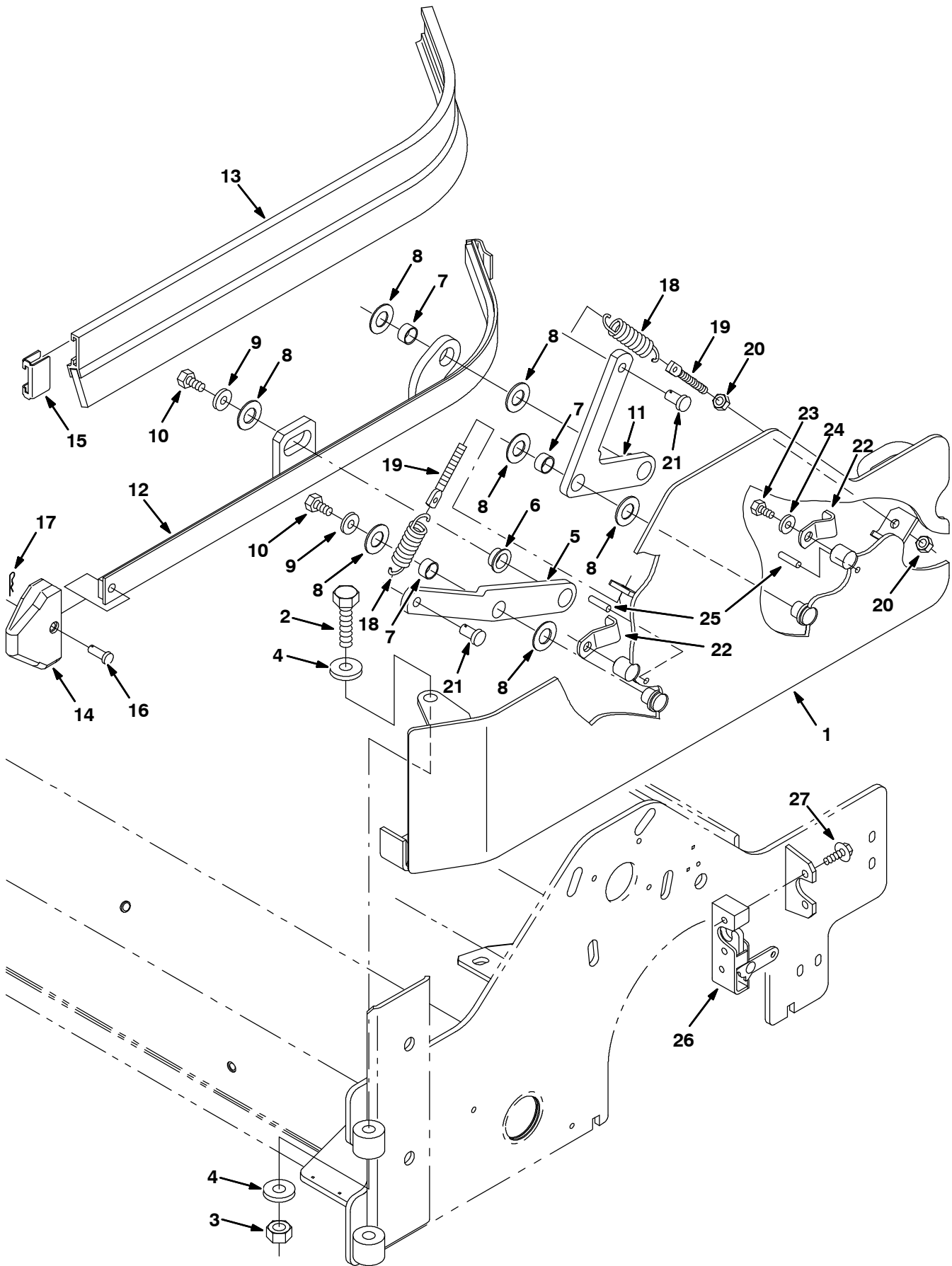
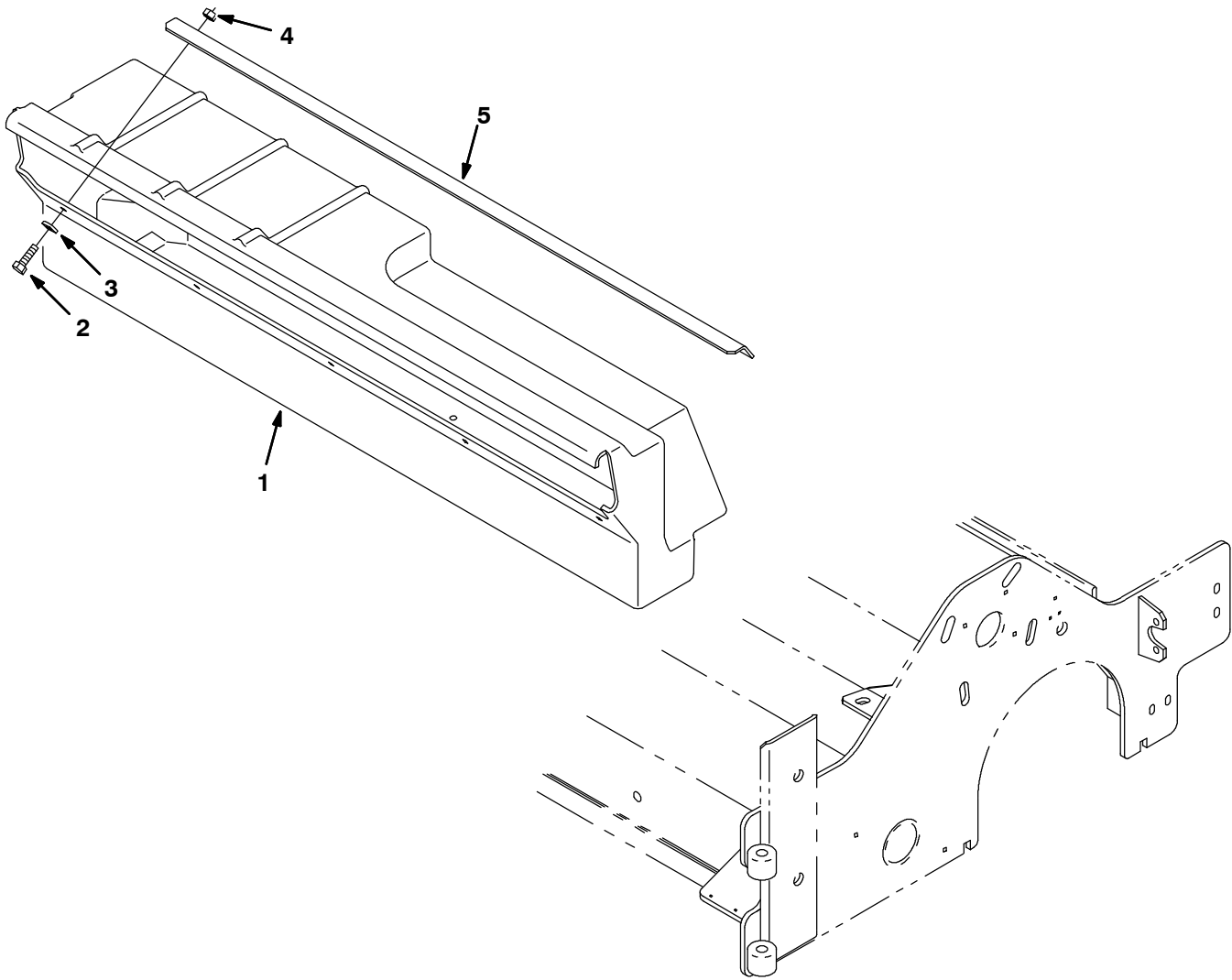


Fig. 24 - Max Pro 1000 (Cylindrical Brush) Left Side Squeegee Group

Ref.	Tennant Part No.	Machine Serial Number	Description	Qty.
1	386496	(000000-	) Guard Wldt, Lh	1
2	09774	(000000-	) Screw, Hex, M12 X 1.75 X 50, Ss	2
3	09741	(000000-	) Nut, Hex, Lock, M12 X 1.75,NI, Ss	2
4	33925	(000000-	) Washer, Flat, M12, 13x24x2.5ss	4
5	386276	(000000-	) Arm Wldt, Front, Lh	1
6	25735	(000000-	) Bushing, Fling, 0.63b 0.75d 0.38l	1
7	71607	(000000-	) Bushing, Sleeve, 0.63b 0.72d 0.38l	3
8	64425	(000000-	) Washer, Thrust, 0.61b 1.25d .06, Fgl	7
9	01686	(000000-	) Washer, Flt, .38 Ss	4
10	386868	(000000-	) Screw, Hex, M08x1.25 X12,Ss	4
11	386275	(000000-	) Arm Wldt, Rear, Lh	1
12	386262	(000000-	) Frame Wldt, Sqge, Side, Lh	1
13	386260	(000000-	) Squeegee, Side	1
14	386986	(000000-	) Guide, Point, Side Sqge	1
15	86759	(000000-	) Clip, Sqge	1
16	386987	(000000-	) Pin, Clevis, 0.31d 0.88l	1
17	08085	(000000-	) Pin, Hair Cotter, 0.31 D .058 Wir	1
18	87816	(000000-	) Spring, Extn, 0.75od X 0.09wir, 2.5l	2
19	386088	(000000-	) Bolt, Eye, M8 X 1.25, 2.75l	2
20	07786	(000000-	) Nut, Hex, Std, M08 X 1.25, Ss	4
21	41305	(000000-	) Pin, Clevis, 0.37 D X 0.75l	2
22	386507	(000000-	) Arm, Latch	2
23	09744	(000000-	) Screw, Hex, M06 X 1.0 X 12, Ss	2
24	01684	(000000-	) Washer, Flt, .25 Ss	2
25	17404	(000000-	) Pin, Roll, .250 D X 0.75l, .250/.256	2
26	59661	(000000-	) Latch	1
27	16949	(000000-	) Screw, Hex, .25-20 X 0.75, Sems	4

**Fig. 25 - Max Pro 1000 (Cylindrical Brush) Debris Tray Group**

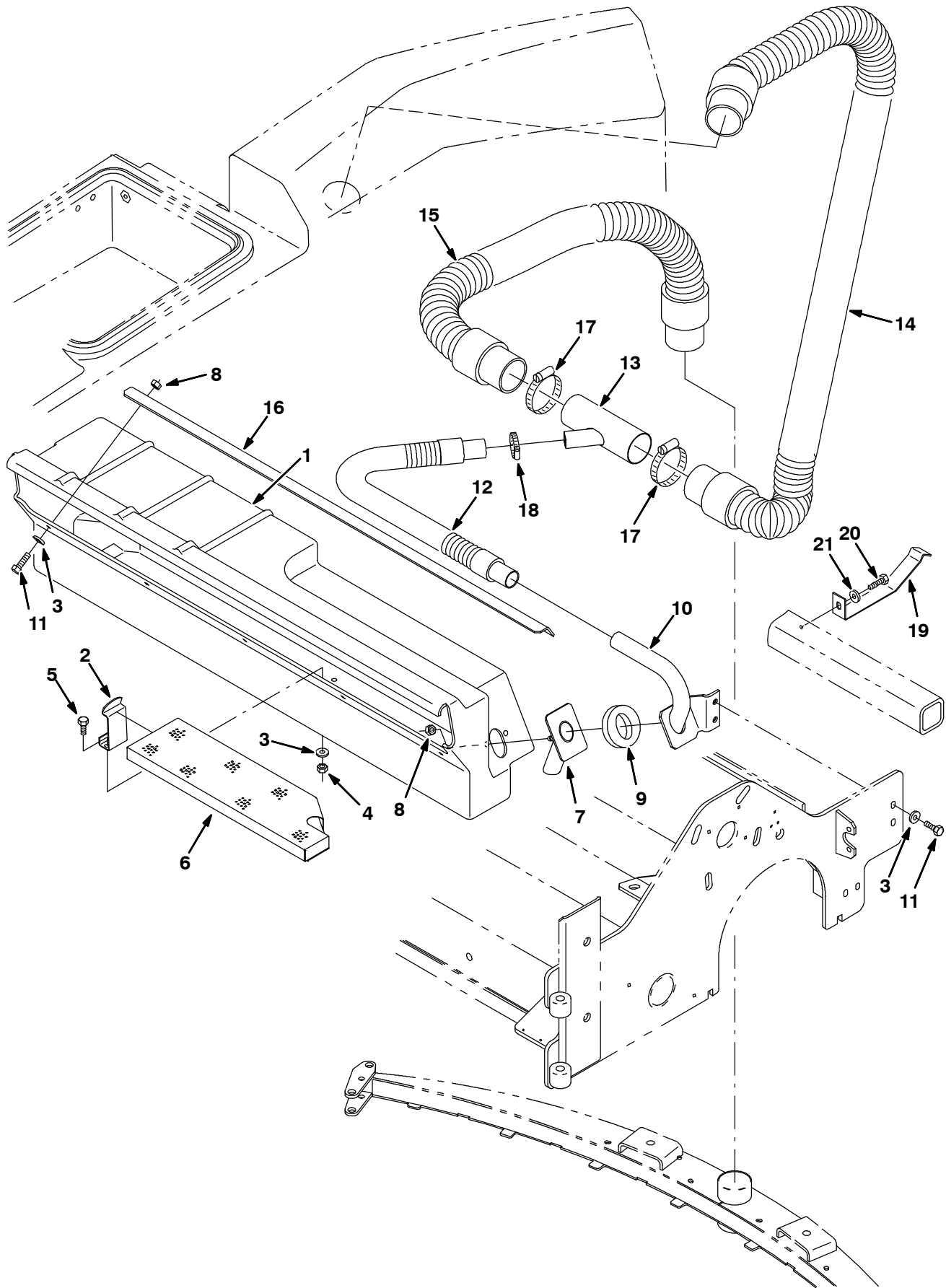




**Fig. 25 - Max Pro 1000 (Cylindrical Brush) Debris Tray Group**

<b>Ref.</b>	<b>Tennant Part No.</b>	<b>Machine Serial Number</b>	<b>Description</b>	<b>Qty.</b>
1	387671	(000000-	) Tray, Debris, 40L, W/Holes	1
2	08716	(000000-	) Screw, Hex, M6X1.0X20, Ss	5
3	01684	(000000-	) Washer, Flat, 0.25 Ss	5
4	08712	(000000-	) Nut, Hex, Lock, M6X1.0, Ss, NI	5
5	387253	(000000-	) Angle	1

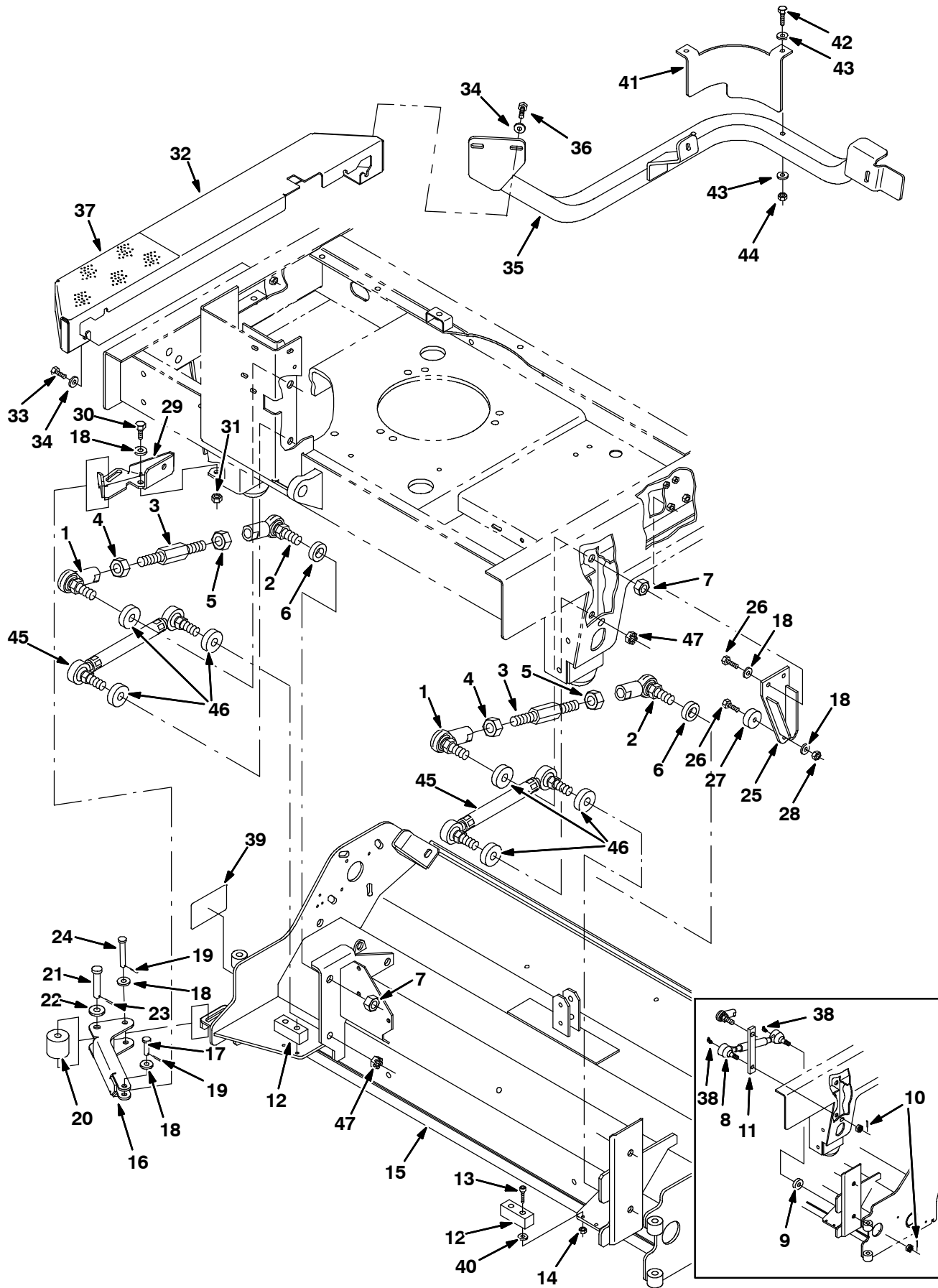
Fig. 26 - Max Pro 1000 (Cylindrical Brush) Vacuumized Debris Tray Group



**Fig. 26 - Max Pro 1000 (Cylindrical Brush) Vacuumized Debris Tray Group**

<b>Ref.</b>	<b>Tennant Part No.</b>	<b>Machine Serial Number</b>	<b>Description</b>	<b>Qty.</b>
1	386282	(000000-	) Tray, Debris, 40.0l	1
2	87244	(000000-	) Clip, Spring, Prop Arm	1
3	01684	(000000-	) Washer, Flt, .25 Ss	14
4	08712	(000000-	) Nut, Hex, Lock, M06 X 1.0, NI, Ss	2
5	09744	(000000-	) Screw, Hex, M06 X 1.0 X 12, Ss	2
6	386500	(000000-	) Screen Wldt	1
7	386503	(000000-	) Tube Wldt	1
8	08712	(000000-	) Nut, Hex, Lock, M06 X 1.0, NI, Ss	7
9	386504	(000000-	) Gasket, Foam	1
10	386510	(000000-	) Tube Wldt, Upper	1
11	08716	(000000-	) Screw, Hex, M06 X 1.0 X 20, Ss	7
12	222788	(000000-003545	) Hose Assy, W/2cuff, 1.0d, 23l	1
12	387517	(003546-	) Hose Assy, W/2cuff, 1.0d, 41l	1
13	386518	(000000-	) Tube Wldt	1
14	386514	(000000-003545	) Hose, Vacuum, 58.5l	1
14	1005133	(003546-	) Hose Assy, W/2cuff, 2.0d 75l	1
15	387256	(000000-003545	) Hose, Vacuum, 35.0l	1
15	1005135	(003546-	) Hose Assy, W/2cuff, 2.0d 26l	1
16	387253	(000000-	) Angle	1
17	14432	(000000-	) Clamp, Hose, Wormdrive, 1.81-2.75d	2
18	11399	(000000-	) Clamp, Hose, Wormdrive, 0.81-1.50d	1
19	1002464	(003546-	) Bracket, Tube , Tee	1
20	361339	(003546-	) Screw, Hex, M 6 X 1.0 X 16, Fmg	1
21	32483	(003546-	) Washer, Flat, 0.25 Sae	1

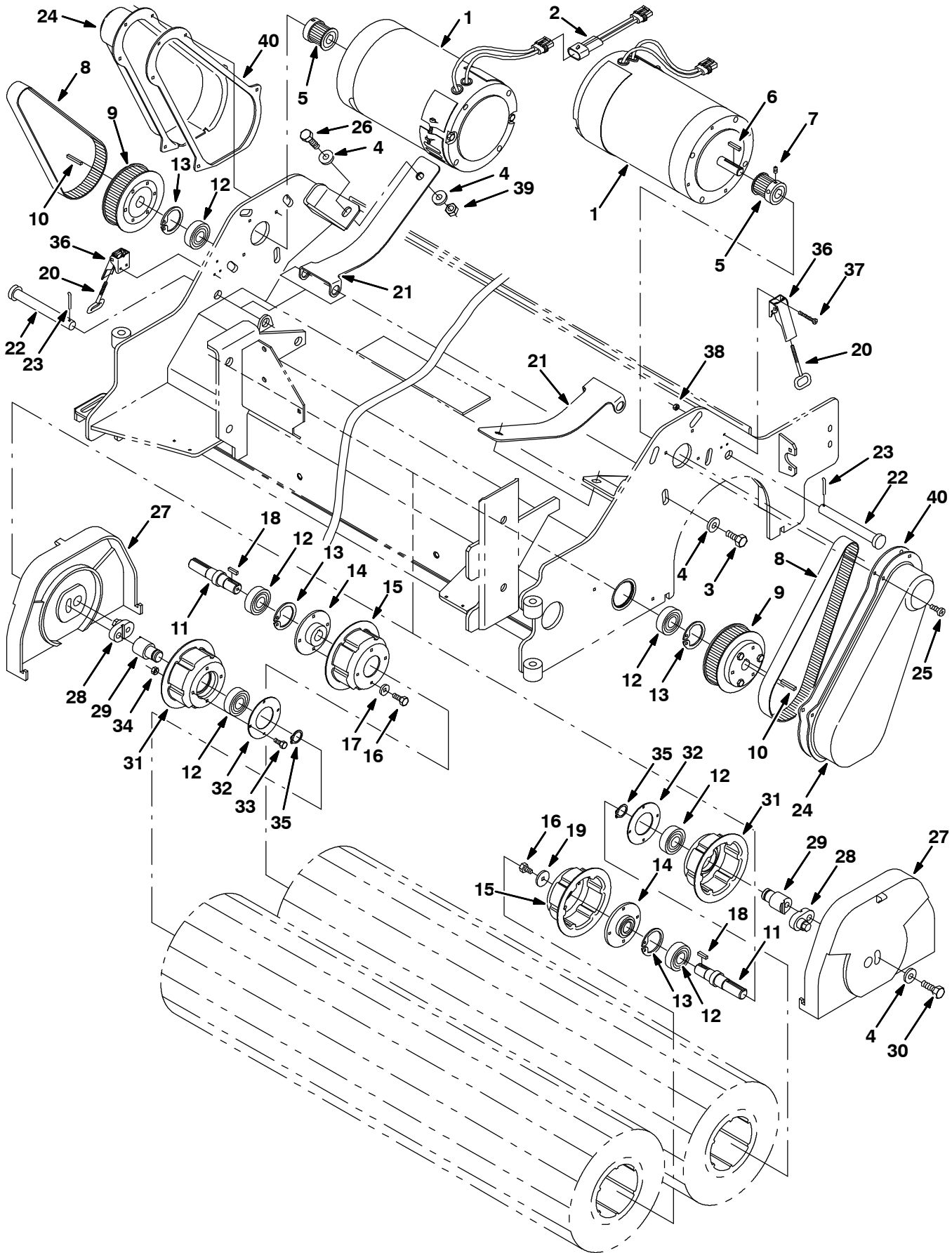
Fig. 27 - Max Pro 1200 (Cylindrical Brush) Scrub Head Frame and Linkage Group



**Fig. 27 - Max Pro 1200 (Cylindrical Brush) Scrub Head Frame and Linkage Group**

<b>Ref.</b>	<b>Tennant Part No.</b>	<b>Machine Serial Number</b>	<b>Description</b>	<b>Qty.</b>
1	77275	(000000-	) Rod-End, .62-18rh Fem 0.50-18stud	2
2	386070	(000000-	) Rod-End, .625-18, Lh	2
3	386071	(000000-	) Rod, Link	2
4	77276	(000000-	) Nut, Hex, Jam, .62-18, Ss	2
5	77277	(000000-	) Nut, Hex, Jam, .62-18, Ss, Lh	2
6	386081	(000000-	) Spacer, Rod-End	2
7	40814	(000000-	) Nut, Hex, Lock, .62-18, NI, Thin	4
8	363113	(000000-004780	) Link Wldt, Head, Drag (Replaced by 9005751)	2
9	14524	(000000-004780	) Spacer, Washer	2
10	08346	(000000-004780	) Pin, Cotter, .125 X 0.75	4
11	386844	(000000-004780	) Spacer, Plate	2
12	386865	(000000-	) Bumper	2
13	24198	(000000-	) Screw, Pan, M05 X 0.8 X 25, Ss	4
14	09739	(000000-	) Nut, Hex, Lock, M05 X 0.8, NI, Ss	4
15	386874	(000000-	) Housing Wldt, Brush [Mp1200]	1
16	1001099	(000000-	) Guard, Kick In, Scb Head	1
17	29557	(000000-	) Pin, Clevis, 0.37 D X 1.31l	1
18	01686	(000000-	) Washer, Flt, .38 Ss	7
19	39005	(000000-	) Pin, Cotter, .094 X 0.75	2
20	72946	(000000-	) Roller	1
21	06279	(000000-	) Pin, Clevis, 0.50 D X 2.50l	1
22	32493	(000000-	) Washer, Flt, .50 Std	1
23	08182	(000000-	) Pin, Cotter, .125 X 1.00	1
24	365180	(000000-	) Pin, Clevis, 0.38 D X 2.50l	1
25	386493	(000000-	) Plate Wldt, Stop	2
26	09010	(000000-	) Screw, Hex, M08 X 1.25 X 25, Ss	3
27	15023	(000000-	) Bumper, Pye	1
28	08713	(000000-	) Nut, Hex, Lock, M08 X 1.25,NI, Ss	1
29	386876	(000000-	) Bracket, Adaptor, Mtg, Kick In, Frame	1
30	09028	(000000-	) Screw, Hex, M10 X 1.5 X 25, Ss	1
31	08714	(000000-	) Nut, Hex, Lock, M10 X 1.5, NI, Ss	1
32	386827	(000000-	) Bumper, Side, Scb Head, Wide	1
33	09740	(000000-	) Screw, Hex, M08 X 1.25 X 20, Ss	4
34	01685	(000000-	) Screw, Hex, M08 X 1.25 X 20, Ss	8
35	387245	(000000-	) Guard Wldt, Sqge (MP 20)	1
36	09010	(000000-	) Screw, Hex, M08 X 1.25 X 25, Ss	4
37	387080	(000000-	) Tread, Floor, 12.5 X 5.75	1
38	09718	(000000-004780	) Fitting, Grease, E90 Pm04 .75L	4
39	365156	(000000-	) Label Set, Info/Hzrd, [Max Pro]	1
40	13248	(000000-	) Washer, 0.40B 1.12D .12, Stl, PI	4
41	1007486	(000000-	) Guard, Bumper	1
42	49694	(000000-	) Screw, Hex, M 8 X 1.25 X 50, Ss	2
43	01685	(000000-	) Washer, Flat, 0.31 Ss	4
44	08713	(000000-	) Nut, Hex, Lock, M 8 X 1.25, NI, Ss	2
45	1050193	(004781-	) Link Assy, Rod-End, .63-18	2
46	386081	(004781-	) Tube, 0.69ld 1.25Od 00.4L, Blk, Rod-End	4
47	40814	(004781-	) Nut, Hex, Lock, .62-18, NI, Thin	4

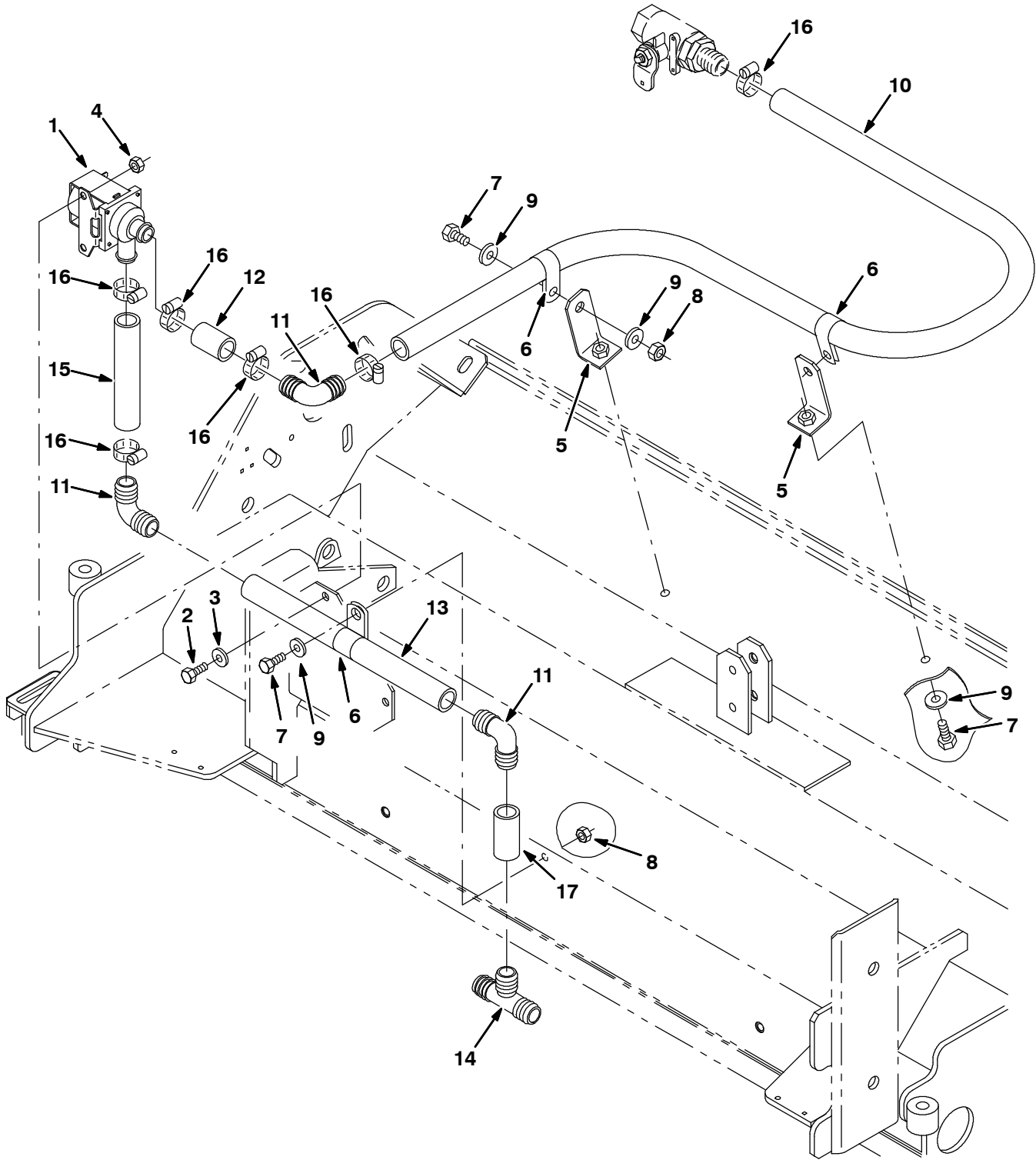
**Fig. 28 - Max Pro 1200 (Cylindrical Brush) Scrub Head Drive Group**



**Fig. 28 - Max Pro 1200 (Cylindrical Brush) Scrub Head Drive Group**

Ref.	Tennant Part No.	Machine Serial Number	Description	Qty.	
1	386050	(000000-003887 )	Motor, Ele, 36vdc 1500rpm 1.5hp (See Breakdown) (Repl By 377398AM)	2	
▽	1	377398	(003888- )	Motor, Ele, 36Vdc 1.50Hp 1500Rpm 43.0A	2
▲	621478	(002094- )	Brush, Carbon	2	
2	363468	(000000- )	Wire Assy, Jumper Reverse, [515]	1	
3	09291	(000000- )	Screw, Hex, M10 X 1.5 X 20, Ss	8	
4	01686	(000000- )	Washer, Flt, .38 Ss	14	
5	83052	(000000- )	Sprocket, Timing, 23tooth, 0.625b	2	
6	00912	(000000- )	Key, Sq, 0.19 X 0.19, 01.00l	2	
7	39323	(000000- )	Screw, Set, #10-32 X 0.38, Al	4	
8	386053	(000000- )	Belt, Drive (Cylindrical Brush)	2	
9	375301	(000000- )	Sprocket, Timing, 4.261Pd, 68Grv, Pl	2	
10	00918	(000000- )	Key, Sq, 0.19 X 0.19, 01.25l	2	
11	386058	(000000- )	Shaft, Drive, Brush	2	
12	46390	(000000- )	Bearing, Ball, 0.79b 1.85d 0.55w	6	
13	10464	(000000- )	Ring, Retaining, Int, 1.85d, Basic	4	
14	386062	(000000- )	Collar Wldt	2	
15	386067	(000000- )	Plug, Drive, Brush, Splined	2	
16	15678	(000000- )	Screw, Hex, M06 X 1.0 X 16, Ss	10	
17	01684	(000000- )	Washer, Flt, .25 Ss	8	
18	00911	(000000- )	Key, Sq, 0.19 X 0.19, 00.75l	2	
19	386063	(000000- )	Washer, 0.25b 1.12d .12, Ss	2	
20	386274	(000000- )	Hook Wldt, Latch	2	
21	1011713	(000000- )	Spring, Motor	2	
22	386072	(000000- )	Pin, Clevis, .625 Dia X 5.25l	2	
23	02942	(000000- )	Pin, Hair Cotter, 0.62 D .120 Wir	2	
24	386066	(000000- )	Cover, Drive	2	
25	48732	(000000- )	Screw, Pan, M06 X 1.0 X 10, Ss	10	
26	12317	(000000- )	Screw, Hex, M10 X 1.5 X 30, Ss	2	
27	386080	(000000- )	Cover, Idler	2	
28	386841	(000000- )	Cam, Front	2	
29	386842	(000000- )	Cam, Rear	2	
30	12317	(000000- )	Screw, Hex, M10 X 1.5 X 30, Ss	2	
31	81771	(000000- )	Plug, Drive, Brush, Splined	2	
32	35836	(000000- )	Retainer, Bearing	2	
33	09738	(000000- )	Screw, Hex, M05 X 0.8 X 12, Ss	8	
34	06549	(000000- )	Nut, Hex, Lock, M05 X 0.8, NI	8	
35	26428	(000000- )	Ring, Retaining, Ext, 0.75d, Hd	2	
36	386257	(000000- )	Latch	2	
37	09198	(000000- )	Screw, Pan, M04 X 0.7 X 35, Ss	6	
38	33932	(000000- )	Nut, Hex, Lock, M04 X 0.7, NI, Ss	6	
39	08714	(000000- )	Nut, Hex, Lock, M10 X 1.5, NI, SS	2	
40	1001062	(000000- )	Gasket, Cover	2	

Fig. 29 - Max Pro 1200 (Cylindrical Brush) Solution Valve Group



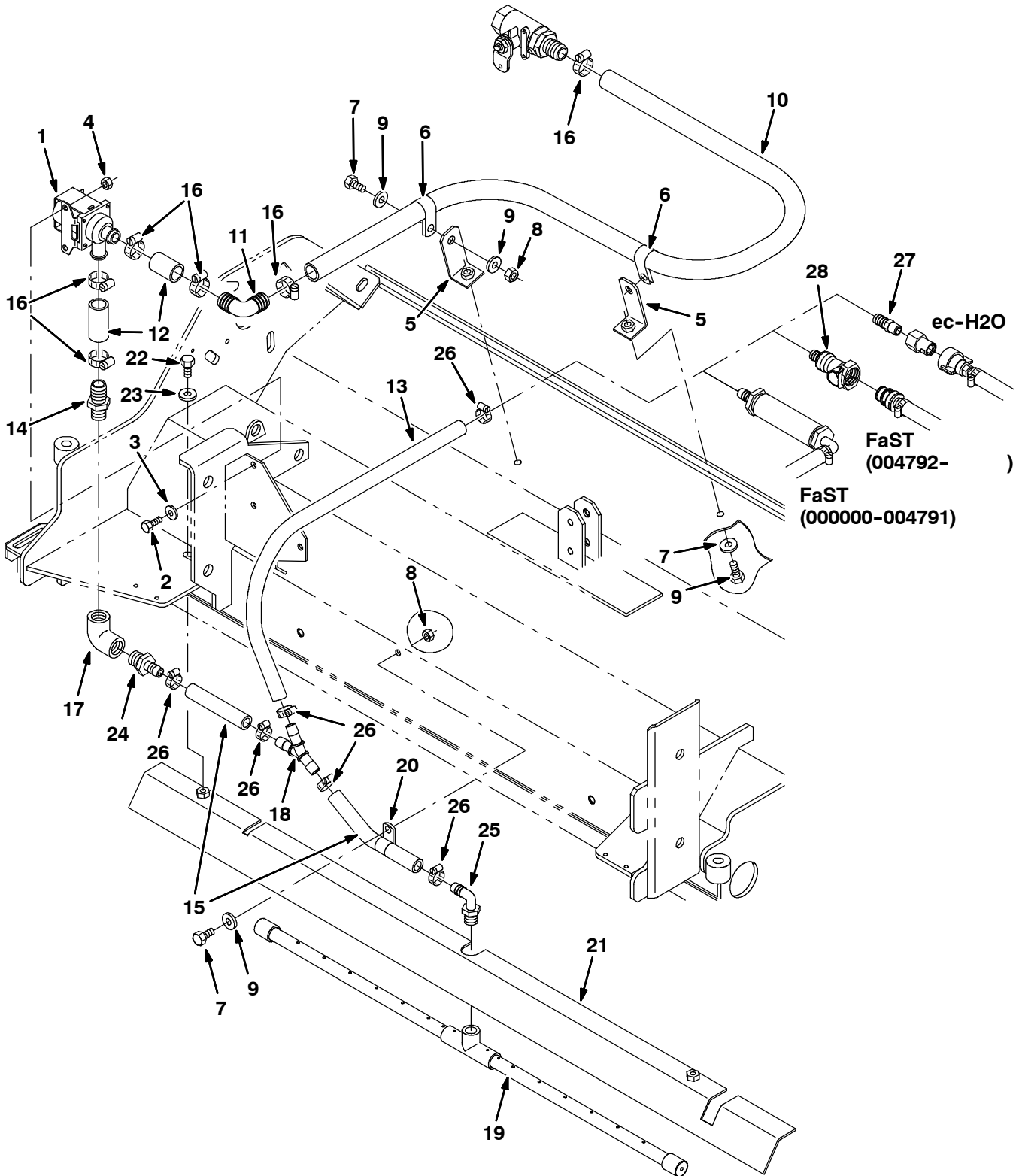


**Fig. 29 - Max Pro 1200 (Cylindrical Brush) Solution Valve Group**

<b>Ref.</b>	<b>Tennant Part No.</b>	<b>Machine Serial Number</b>	<b>Description</b>	<b>Qty.</b>
1	84028	(000000-	) Valve, Water	1
2	15678	(000000-	) Screw, Hex, M06 X 1.0 X 16, Ss	2
3	01684	(000000-	) Washer, Flt, .25 Ss	2
4	08712	(000000-	) Nut, Hex, Lock, M06 X 1.0, NI, Ss	2
5	386490	(000000-	) Angle	2
6	69234	(000000-	) Clamp, Cable, Stl, 1.00d X 0.62w, 1h	3
7	15675	(000000-	) Screw, Hex, M08 X 1.25 X 16, Ss	7
8	08709	(000000-	) Nut, Hex, Lock, M08 X 1.25,NI	5
9	01685	(000000-	) Washer, Flt, .31 Ss	9
10	73474	(000000-	) Hose, Pvc, Brd, 0.75id 1.00od 44.50l	1
11	40566	(000000-	) Fitting, Plstc, E90, Bm12/Bm12	3
12	364899	(000000-	) Hose, Pvc, Brd, 0.75id 1.03od 01.50l	1
13	364896	(000000-	) Hose, Pvc, Brd, 0.75id 1.03od 11.00l	1
14	41315	(000000-	) Fitting, Plstc, Tee, Bm12/Bm12/Bm12	1
15	364895	(000000-	) Hose, Pvc, Brd, 0.75id 1.03od 05.00l	1
16	11399	(000000-	) Clamp, Hose, Wormdrive, 0.81-1.50d	6
17	16914	(000000-	) Hose, Pvc, Brd, 0.75id 1.00od 2.00l	1

# OPTIONS

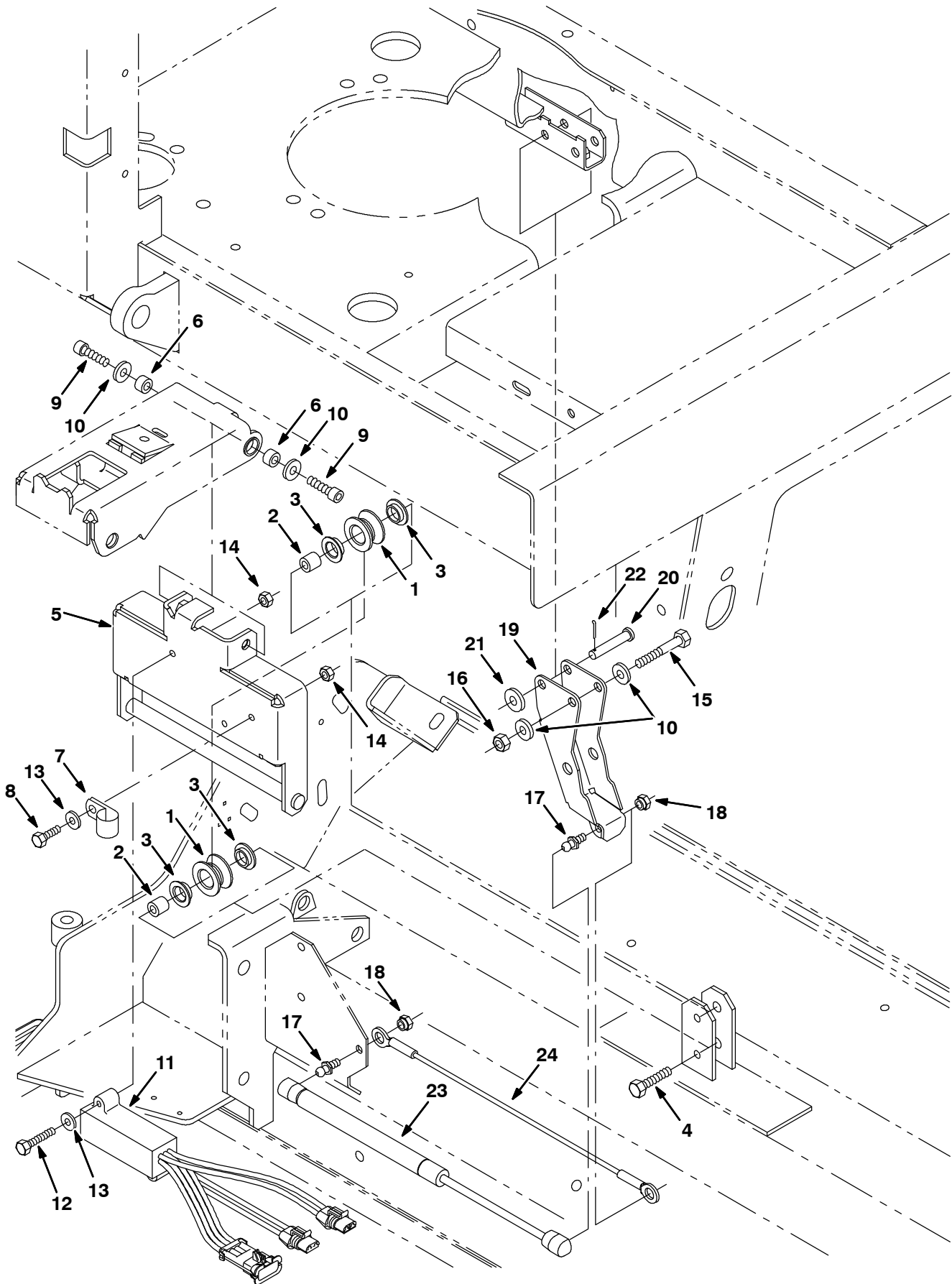
Fig. 30 - Max Pro 1200 (Cylindrical Brush) Solution Valve Group (FaST/ec-H2O)



**Fig. 30 - Max Pro 1200 (Cylindrical Brush) Solution Valve Group (FaST/ec-H2O)**

<b>Ref.</b>	<b>Tennant Part No.</b>	<b>Machine Serial Number</b>	<b>Description</b>	<b>Qty.</b>
1	84028	(000000-	) Valve, Water	1
2	15678	(000000-	) Screw, Hex, M06 X 1.0 X 16, Ss	2
3	01684	(000000-	) Washer, Flt, .25 Ss	2
4	08712	(000000-	) Nut, Hex, Lock, M06 X 1.0, NI, Ss	2
5	386490	(000000-	) Angle	2
6	69234	(000000-	) Clamp, Cable, Stl, 1.00d X 0.62w, 1h	2
7	15675	(000000-	) Screw, Hex, M08 X 1.25 X 16, Ss	5
8	08709	(000000-	) Nut, Hex, Lock, M08 X 1.25,NI	3
9	01685	(000000-	) Washer, Flt, .31 Ss	7
10	1015045	(000000-	) Hose, Afmkt, Pvc, Brd 0.75id 8 Ft	1
11	40566	(000000-	) Fitting, Plstc, E90, Bm12/Bm12	3
12	1015048	(000000-	) Hose, Afmkt, Pvc, Brd 0.75id 1 Ft	1
13	1011521	(000000-	) Hose, Afmkt Replmt, Pvc, Brd 0.50id 2 Ft	1
14	78398	(000000-	) Fitting, Plstc, Str, Bm12/Pm08, Nyl	1
15	1011403	(000000-	) Hose, Afmkt Replmt, Pvc, Brd 0.50id 1 Ft	1
16	11399	(000000-	) Clamp, Hose, Wormdrive, 0.81-1.50d	6
17	79572	(000000-	) Fitting, Plstc, E90, Pf08/Pf08	1
18	1010668	(000000-	) Fitting, Plstc, Y, Bm08/Bm08/Bm08 Nyl	1
19	1010832	(000000-	) Bar Assy, Spray [7300/8300]	1
20	07471	(000000-	) Clamp, Cable, Stl, 0.75d X 0.75w, 1h	1
21	1014875	(000000-	) Bracket, Spray Bar, 48" [7300/8300]	1
22	49826	(000000-	) Screw, Hex, M8 X 1.25 X 16, Ss, NI	2
23	32492	(000000-	) Washer, Flat, 0.38 Std	2
24	79273-4	(000000-	) Fitting, Plstc, Str, Bm08/Pm08	1
25	64778	(000000-	) Fitting, Plstc, E90, Bm08/Pm06	1
26	54333	(000000-	) Clamp, Hose, Wormdrive, 0.31-0.88d	6
27	48610	(000000-	) Fitting, Plstc, Str, Bm08/Pm04 (ec-H2O)	1
28	1017413	(004792-	) Housing, Cplg, Qf / Pm08 (FaST)	1

Fig. 31 - Max Pro 1200 (Cylindrical Brush) Edge Scrub Group



**Fig. 31 - Max Pro 1200 (Cylindrical Brush) Edge Scrub Group**

<b>Ref.</b>	<b>Tennant Part No.</b>	<b>Machine Serial Number</b>	<b>Description</b>	<b>Qty.</b>
1	363120	(000000-	) Roller	2
2	222277	(000000-	) Sleeve	2
3	04843	(000000-	) Bushing, Flng, 0.63b 0.72d 0.25l	4
4	222505	(000000-	) Screw, Hex, M08 X 1.25 X 45, Ss	2
5	386040	(000000-	) Rail Wldt, Lift, Cyl Head	1
6	222556	(000000-	) Sleeve	2
7	67767	(000000-	) Clamp, Cable, Stl, 0.69d X 0.62w, 1h	1
8	08716	(000000-	) Screw, Hex, M06 X 1.0 X 20, Ss	1
9	39308	(000000-	) Screw, Soc, M08 X 1.25 X 25, 12.9	2
10	01685	(000000-	) Washer, Flt, .31 Ss	4
11	363237	(000000-	) Shunt, 2Hd Mtrs, Scrub 515, Red	1
12	33930	(000000-	) Screw, Hex, M06 X 1.0 X 40, Ss	2
13	01684	(000000-	) Washer, Flt, .25 Ss	3
14	08712	(000000-	) Nut, Hex, Lock, M06 X 1.0, NI, Ss	3
15	77270	(000000-	) Screw, Hex, M08 X 1.25 X 60, Ss	1
16	08713	(000000-	) Nut, Hex, Lock, M08 X 1.25,NI, Ss	1
17	58494	(000000-	) Stud, Ball, .39d .31-16, Gasspring	2
18	14725	(000000-	) Nut, Retainer, .31-18	2
19	386048	(000000-	) Arm Wldt, Pivot, Side, [7300/8300]	1
20	29584	(000000-	) Pin, Clevis, 0.37 D X 2.00l	1
21	01686	(000000-	) Washer, Flt, .38 Ss	1
22	39005	(000000-	) Pin, Cotter, .094 X 0.75	1
23	364858	(000000-	) Gasspring, 56lb, 6.3strk	1
24	364404	(000000-	) Cable, .13d, 15.5l, .50eye /.50eye	1

Fig. 32 - Max Pro 1200 (Cylindrical Brush) Right Side Squeegee Group

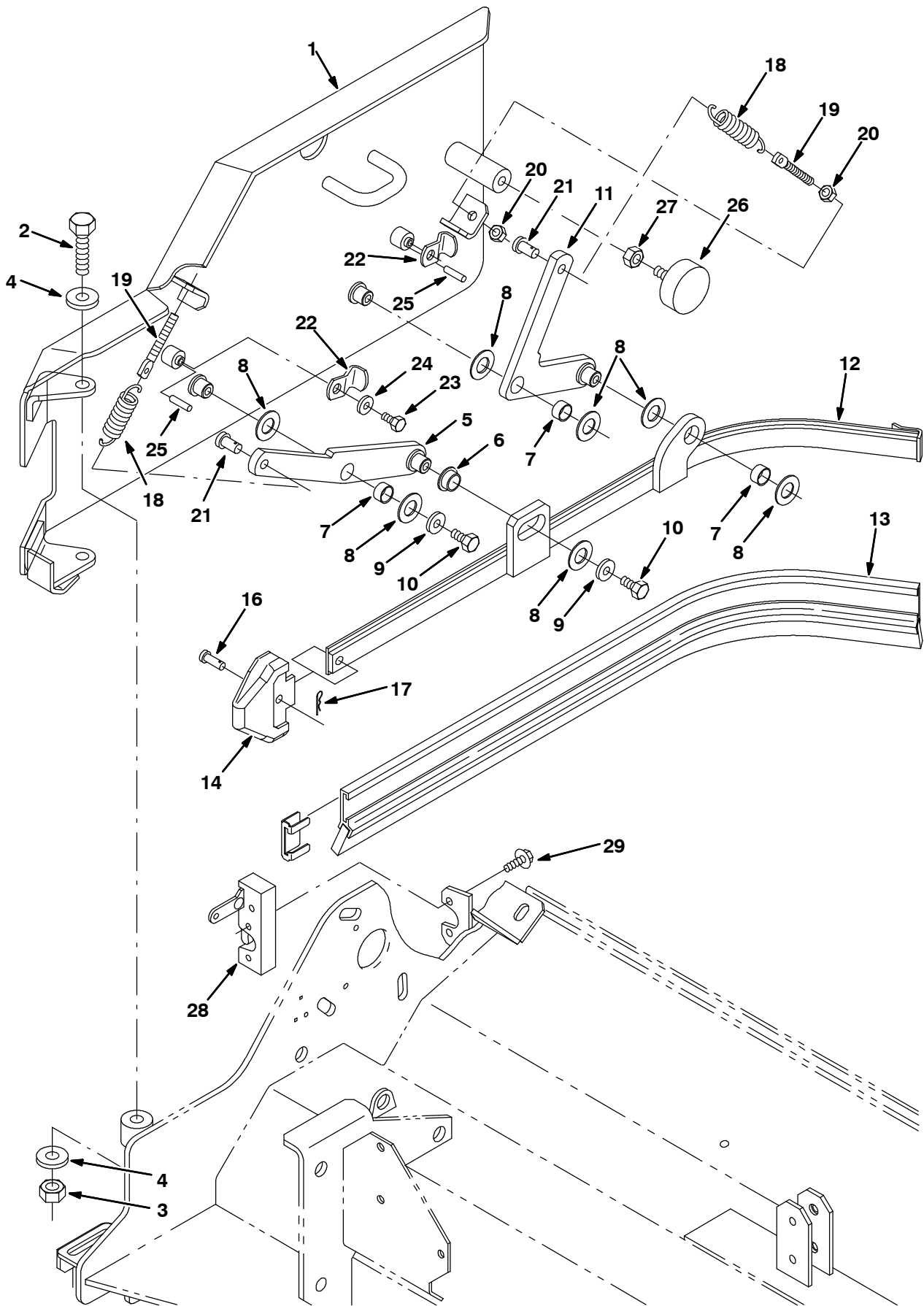


Fig. 32 - Max Pro 1200 (Cylindrical Brush) Right Side Squeegee Group

Ref.	Tennant Part No.	Machine Serial Number	Description	Qty.
1	387271	(000000-	) Guard Wldt, Rh, [Mp1200]	1
2	09774	(000000-	) Screw, Hex, M12 X 1.75 X 50, Ss	2
3	09741	(000000-	) Nut, Hex, Lock, M12 X 1.75,NI, Ss	2
4	33925	(000000-	) Washer, Flat, M12, 13x24x2.5ss	4
5	386269	(000000-	) Arm Wldt, Front, Rh	1
6	25735	(000000-	) Bushing, Fling, 0.63b 0.75d 0.38l	1
7	71607	(000000-	) Bushing, Sleeve, 0.63b 0.72d 0.38l	3
8	64425	(000000-	) Washer, Thrust, 0.61b 1.25d .06, Fgl	7
9	01686	(000000-	) Washer, Flt, .38 Ss	4
10	386868	(000000-	) Screw, Hex, M08x1.25 X12,Ss	4
11	386268	(000000-	) Arm Wldt, Rear, Rh	1
12	386263	(000000-	) Frame Wldt, Sqge, Side, Rh	1
13	386260	(000000-	) Squeegee, Side	1
14	386986	(000000-	) Guide, Point, Side Sqge	1
15	86759	(000000-	) Retainer, Sqge	1
16	386987	(000000-	) Pin, Clevis, 0.31d 0.88l	1
17	08085	(000000-	) Pin, Hair Cotter, 0.31 D .058 Wir	1
18	87816	(000000-	) Spring, Extn, 0.75od X 0.09wir, 2.5l	2
19	386088	(000000-	) Bolt, Eye, M8 X 1.25, 2.75l	2
20	07786	(000000-	) Nut, Hex, Std, M08 X 1.25, Ss	4
21	41305	(000000-	) Pin, Clevis, 0.37 D X 0.75l	2
22	386507	(000000-	) Arm, Latch	2
23	09744	(000000-	) Screw, Hex, M06 X 1.0 X 12, Ss	2
24	01684	(000000-	) Washer, Flt, .25 Ss	2
25	17404	(000000-	) Pin, Roll, .250 D X 0.75l, .250/.256	2
26	70756	(000000-	) Bumper, Rbr, 2.0d 0.75t .38-16	1
27	01692	(000000-	) Nut, Hex, Std, .38-16, Ss	1
28	72439	(000000-	) Latch	1
29	16949	(000000-	) Screw, Hex, .25-20 X 0.75, Sems	4

Fig. 33 - Max Pro 1200 (Cylindrical Brush) Left Side Squeegee Group

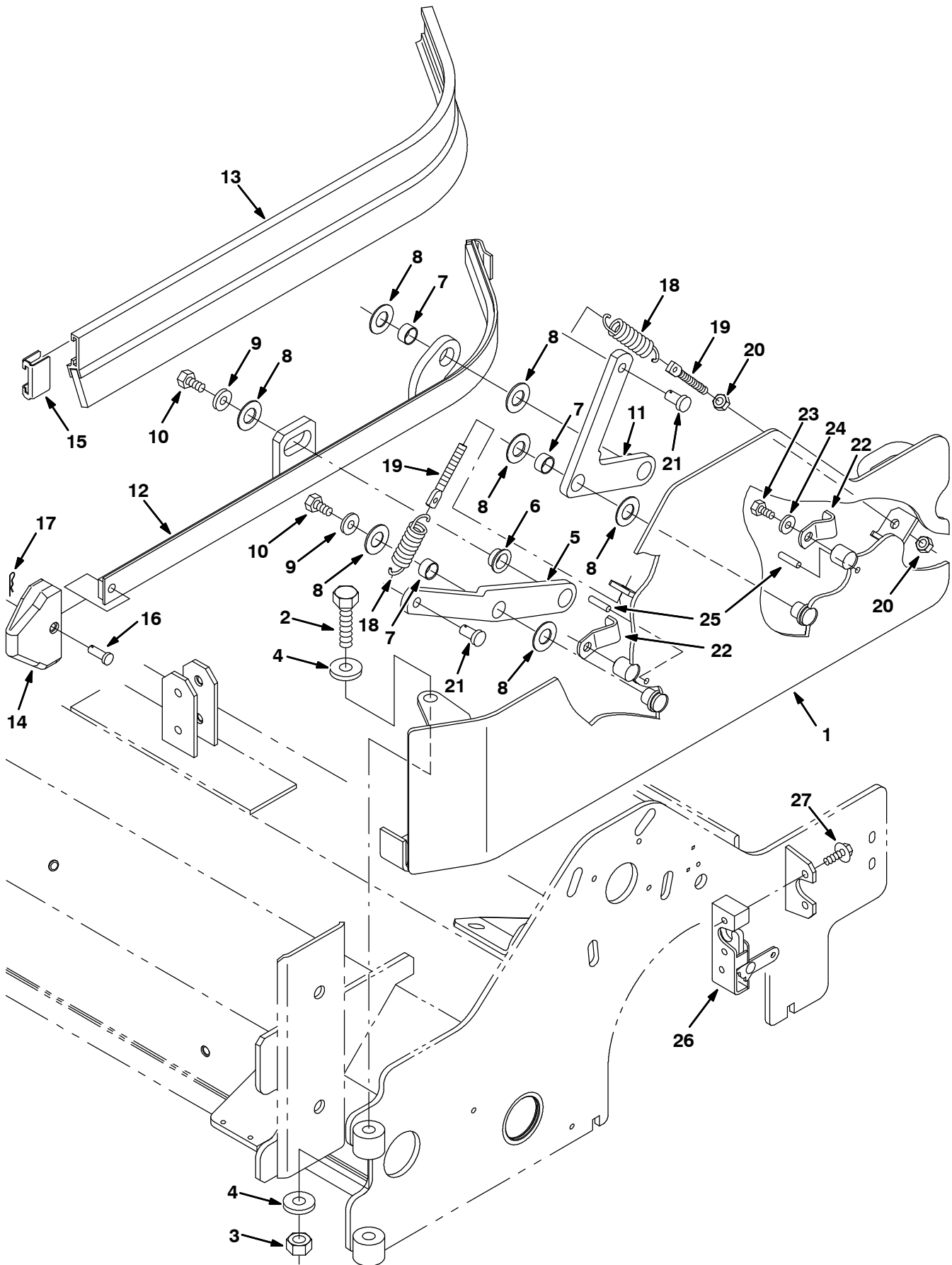
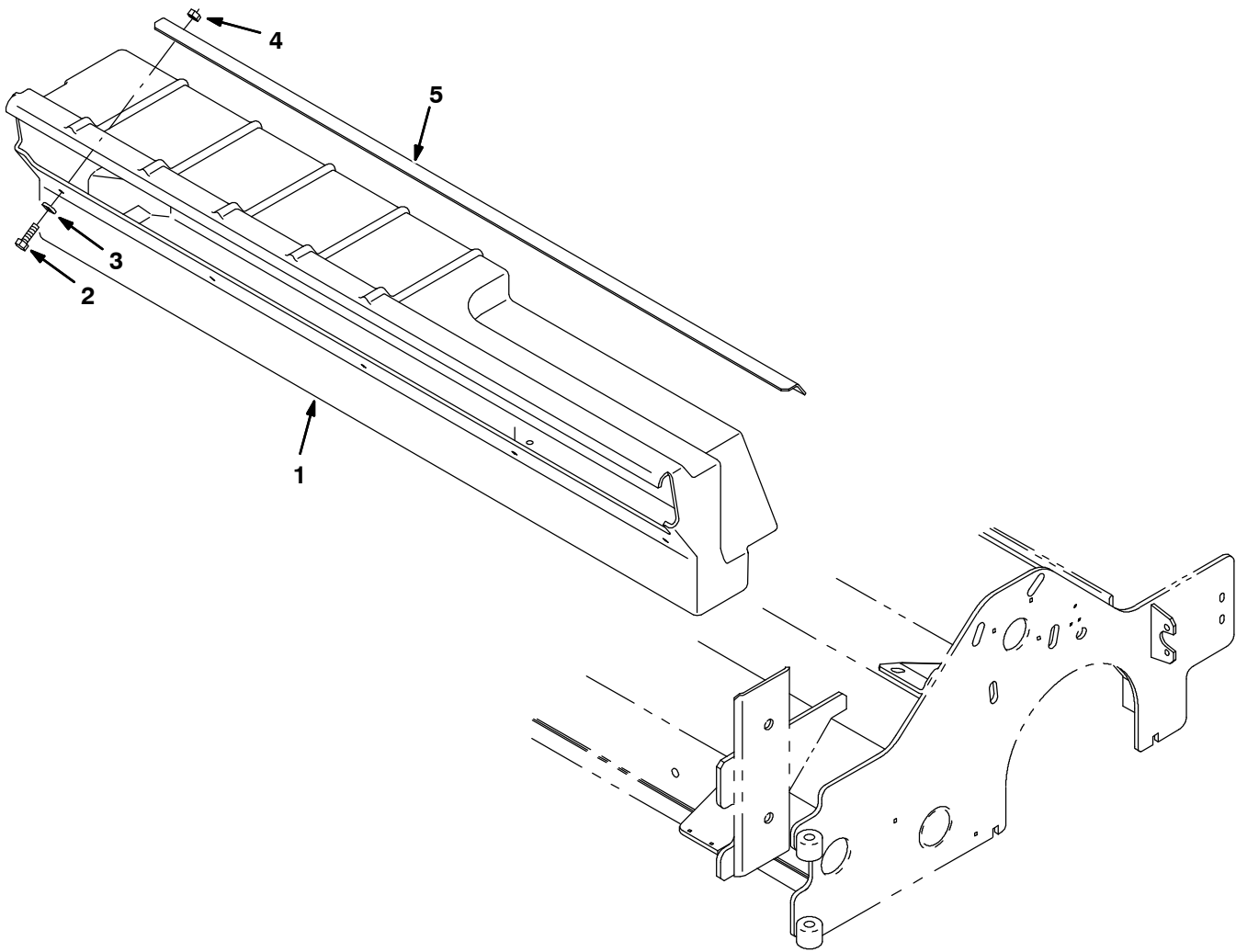




Fig. 33 - Max Pro 1200 (Cylindrical Brush) Left Side Squeegee Group

Ref.	Tennant Part No.	Machine Serial Number	Description	Qty.
1	386496	(000000-	) Guard Wldt, Lh	1
2	09774	(000000-	) Screw, Hex, M12 X 1.75 X 50, Ss	2
3	09741	(000000-	) Nut, Hex, Lock, M12 X 1.75,NI, Ss	2
4	33925	(000000-	) Washer, Flat, M12, 13x24x2.5ss	4
5	386276	(000000-	) Arm Wldt, Front, Lh	1
6	25735	(000000-	) Bushing, Fling, 0.63b 0.75d 0.38l	1
7	71607	(000000-	) Bushing, Sleeve, 0.63b 0.72d 0.38l	3
8	64425	(000000-	) Washer, Thrust, 0.61b 1.25d .06, Fgl	7
9	01686	(000000-	) Washer, Flt, .38 Ss	4
10	386868	(000000-	) Screw, Hex, M08x1.25 X12,Ss	4
11	386275	(000000-	) Arm Wldt, Rear, Lh	1
12	386262	(000000-	) Frame Wldt, Sqge, Side, Lh	1
13	386260	(000000-	) Squeegee, Side	1
14	386986	(000000-	) Guide, Point, Side Sqge	1
15	86759	(000000-	) Clip, Sqge	1
16	386987	(000000-	) Pin, Clevis, 0.31d 0.88l	1
17	08085	(000000-	) Pin, Hair Cotter, 0.31 D .058 Wir	1
18	87816	(000000-	) Spring, Extn, 0.75od X 0.09wir, 2.5l	2
19	386088	(000000-	) Bolt, Eye, M8 X 1.25, 2.75l	2
20	07786	(000000-	) Nut, Hex, Std, M08 X 1.25, Ss	4
21	41305	(000000-	) Pin, Clevis, 0.37 D X 0.75l	2
22	386507	(000000-	) Arm, Latch	2
23	09744	(000000-	) Screw, Hex, M06 X 1.0 X 12, Ss	2
24	01684	(000000-	) Washer, Flt, .25 Ss	2
25	17404	(000000-	) Pin, Roll, .250 D X 0.75l, .250/.256	2
26	59661	(000000-	) Latch	1
27	16949	(000000-	) Screw, Hex, .25-20 X 0.75, Sems	4

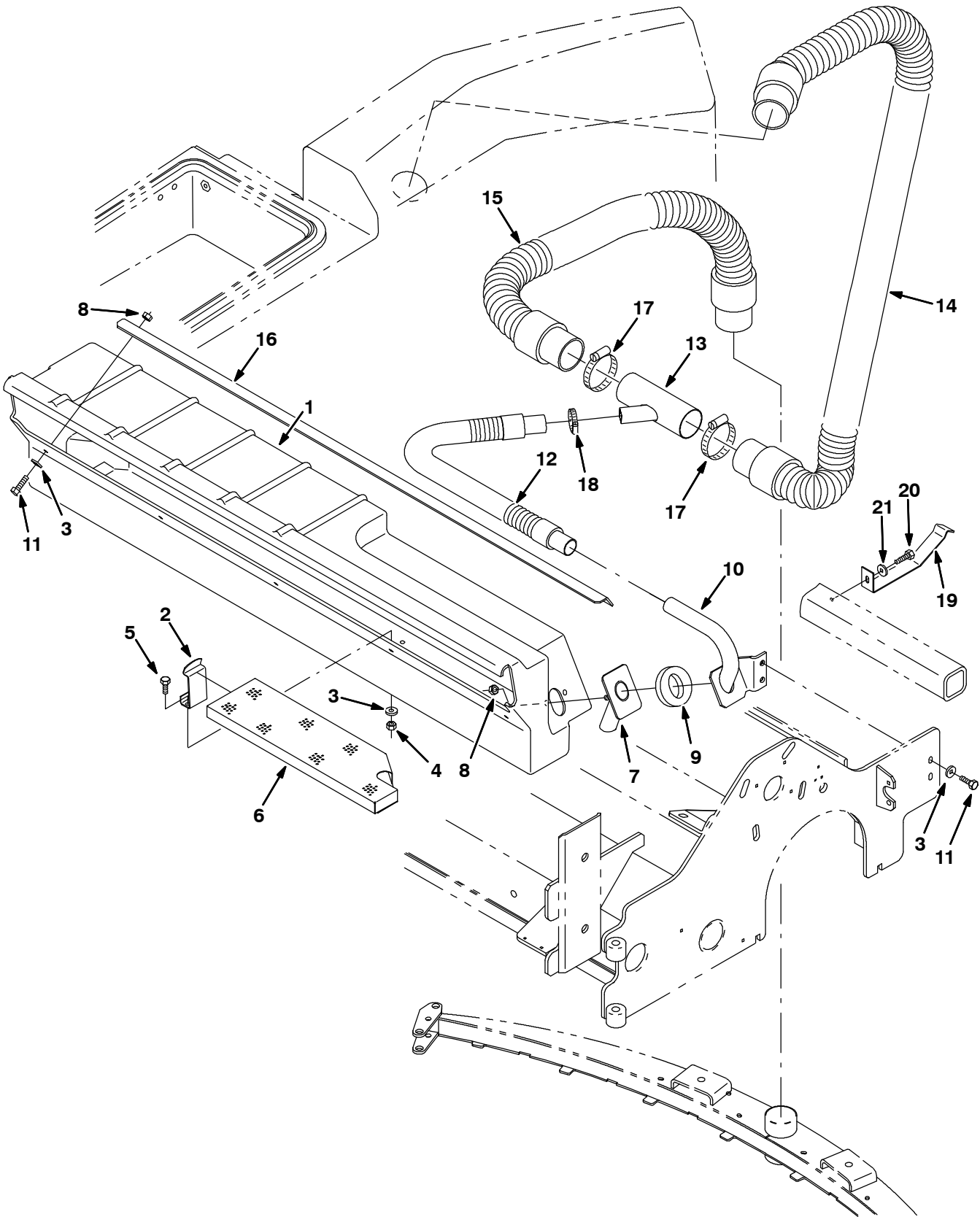
**Fig. 34 - Max Pro 1200 (Cylindrical Brush) Debris Tray Group**



**Fig. 34 - Max Pro 1200 (Cylindrical Brush) Debris Tray Group**

<b>Ref.</b>	<b>Tennant Part No.</b>	<b>Machine Serial Number</b>	<b>Description</b>	<b>Qty.</b>
1	387672	(000000-	) Tray, Debris, 48L, W/Holes	1
2	08716	(000000-	) Screw, Hex, M6X1.0X20, Ss	5
3	01684	(000000-	) Washer, Flat, 0.25 Ss	5
4	08712	(000000-	) Nut, Hex, Lock, M6X1.0, Ss, NI	5
5	387254	(000000-	) Angle	1

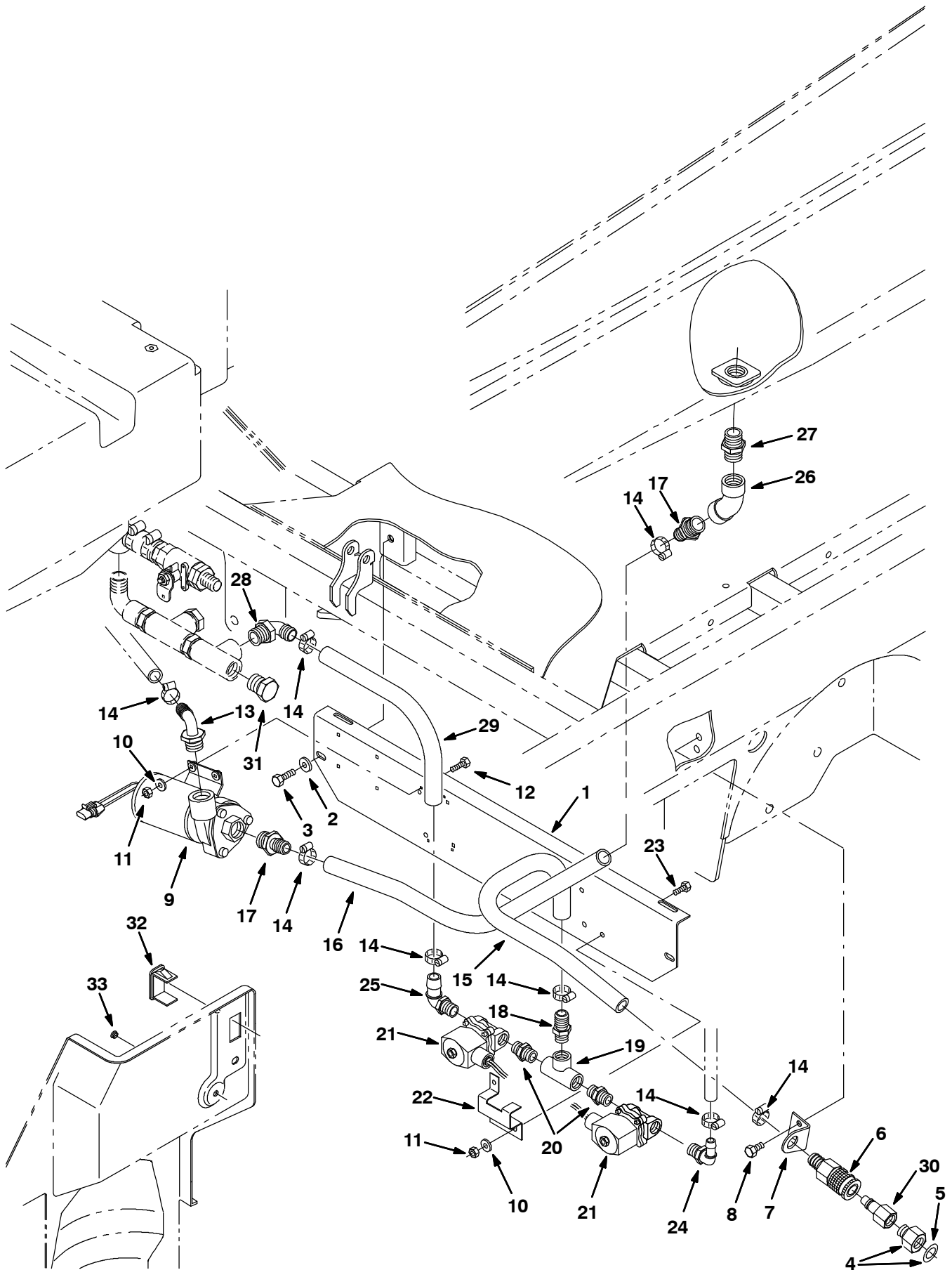
Fig. 35 - Max Pro 1200 (Cylindrical Brush) Vacuumized Debris Tray Group



**Fig. 35 - Max Pro 1200 (Cylindrical Brush) Vacuumized Debris Tray Group**

<b>Ref.</b>	<b>Tennant Part No.</b>	<b>Machine Serial Number</b>	<b>Description</b>	<b>Qty.</b>
1	386513	(000000-	) Tray, Debris, 48.0l	1
2	87244	(000000-	) Clip, Spring, Prop Arm	1
3	01684	(000000-	) Washer, Flt, .25 Ss	14
4	08712	(000000-	) Nut, Hex, Lock, M06 X 1.0, NI, Ss	2
5	09744	(000000-	) Screw, Hex, M06 X 1.0 X 12, Ss	2
6	386500	(000000-	) Screen Wldt	1
7	386503	(000000-	) Tube Wldt	1
8	08712	(000000-	) Nut, Hex, Lock, M06 X 1.0, NI, Ss	7
9	386504	(000000-	) Gasket, Foam	1
10	386510	(000000-	) Tube Wldt, Upper	1
11	08716	(000000-	) Screw, Hex, M06 X 1.0 X 20, Ss	7
12	222788	(000000-003545	) Hose Assy, W/2cuff, 1.0d, 23l	1
12	387517	(003546-	) Hose Assy, W/2cuff, 1.0d, 41l	1
13	386518	(000000-	) Tube Wldt	1
14	386514	(000000-003545	) Hose, Vacuum, 58.5l	1
14	1005133	(003546-	) Hose Assy, W/2cuff, 2.0d 75l	1
15	387256	(000000-003545	) Hose, Vacuum, 35.0l	1
15	1005135	(003546-	) Hose Assy, W/2cuff, 2.0d 26l	1
16	387254	(000000-	) Angle	1
17	14432	(000000-	) Clamp, Hose, Wormdrive, 1.81-2.75d	2
18	11399	(000000-	) Clamp, Hose, Wormdrive, 0.81-1.50d	1
19	1002464	(003546-	) Bracket, Tube , Tee	1
20	361339	(003546-	) Screw, Hex, M 6 X 1.0 X 16, Fmg	1
21	32483	(003546-	) Washer, Flat, 0.25 Sae	1

Fig. 36 - ES Pump Group

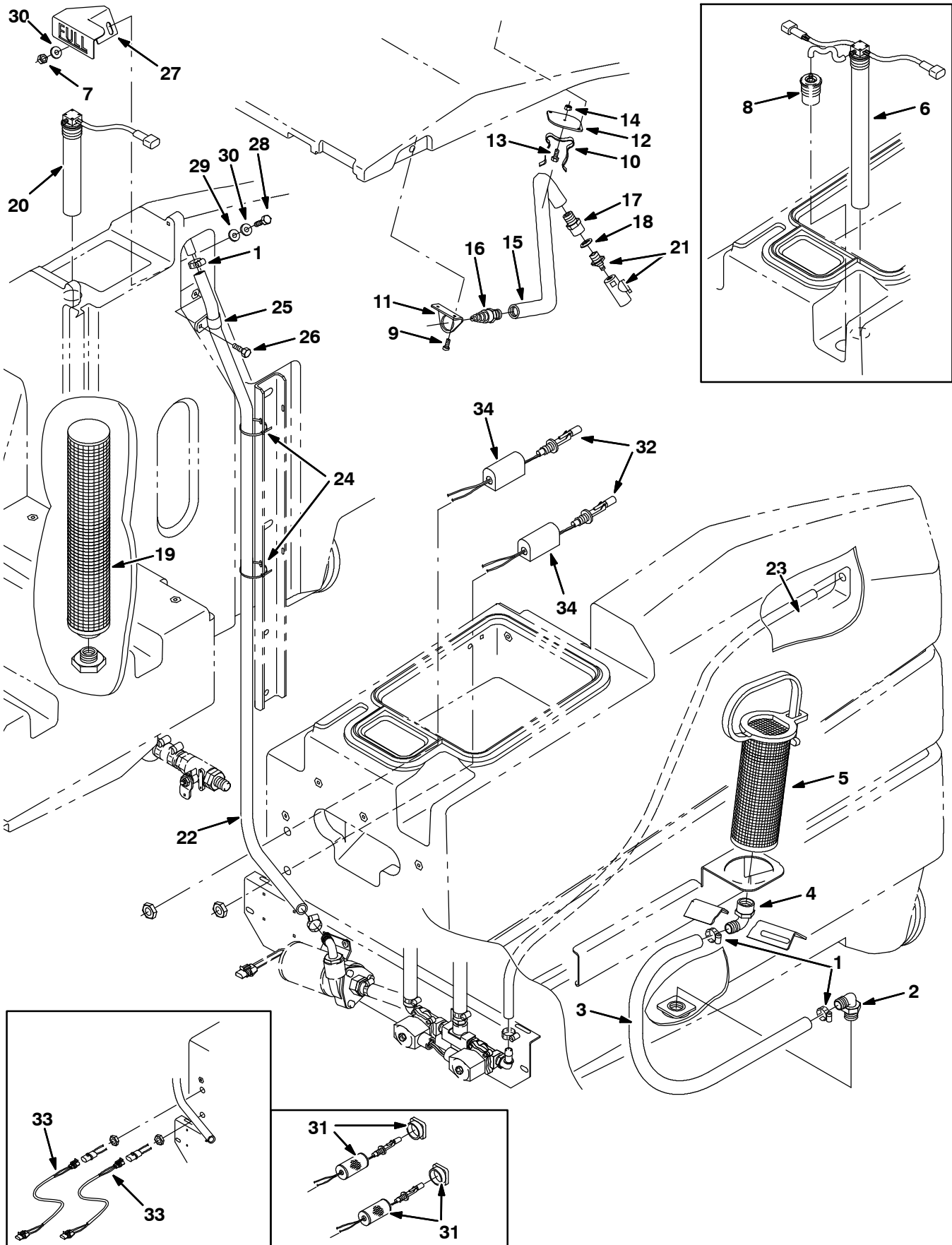


**Fig. 36 - ES Pump Group**

NOTE: ES™ Kit, TENNANT Part Number 386557, includes Fig. 36, Fig. 37, and Fig. 38.

Ref.	Tennant Part No.	Machine Serial Number	Description	Qty.
1	386392	(000000-	) Angle, Mtg, Es	1
2	01685	(000000-	) Washer, Flt, .31 Ss	2
3	09010	(000000-	) Screw, Hex, M08 X 1.25 X 25, Ss	2
▽ 4	375322	(000000-	) Kit, Ftg, Garden Hose	1
▲ 5	01316	(000000-	) Washer, Rbr, .12 0.66B 1.00D	1
6	24105	(000000-	) Fitting, Brs, Qdc, Bm12/Qf08	1
7	386394	(000000-	) Bracket, Mtg, Es	1
8	15675	(000000-	) Screw, Hex, M08 X 1.25 X 16, Ss	2
9	369865	(000000-	) Pump, Solution, Impeller, 36vdc	1
10	01684	(000000-	) Washer, Flt, .25 Ss	7
11	08712	(000000-	) Nut, Hex, Lock, M06 X 1.0, NI, Ss	7
12	09007	(000000-	) Screw, Hex, M06 X 1.0 X 25, Ss	4
13	73468	(000000-	) Fitting, Plstc, E90, Bm10/Pm12	1
14	63810	(000000-	) Clamp, Hose, Wormdrive, 0.56-1.06d	8
15	73475	(000000-	) Hose, Pvc, Brd, 0.75id 1.00od 19.00l	1
16	385666	(000000-	) Hose, Pvc, Brd, 0.75id 1.00od 26.00l	1
17	79273-2	(000000-	) Fitting, Plstc, Str, Bm12/Pm12	2
18	78398	(000000-	) Fitting, Plstc, Str, Bm12/Pm08	1
19	79497	(000000-	) Fitting, Plstc, Tee, Pf08/Pf08/Pf08	1
20	86508	(000000-	) Fitting, Plstc, Str, Pm08/Pm08	2
21	41410	(000000-	) Valve, Solenoid, 36vdc	2
22	364545	(000000-	) Bracket, Sppt, Auto Fill	1
23	15678	(000000-	) Screw, Hex, M06 X 1.0 X 16, Ss	3
24	63244-1	(000000-	) Fitting, Plstc, E90, Bm08/Pm08	1
25	63244-2	(000000-	) Fitting, Plstc, E90, Bm12/Pm08	1
26	10575	(000000-	) Fitting, Plstc, E45, Pf12/Pf12	1
27	24544	(000000-	) Fitting, Plstc, Str, Pm12/Pm12	1
28	14877	(000000-	) Fitting, Plstc, E90, Bm12/Pm12	1
29	387340	(000000-	) Hose, Water, Vyl, Brd, .75ld 14.0L	1
30	33295	(000000-	) Fitting, Qm, Male	1
31	75611	(000000-	) Fitting, Plstc, Plug, Pm12	1
32	398501	(000000-	) Plug, Hole, Rt, Rocker Switch, .87 X 1.7	1
33	33807	(000000-	) Plug, Hole, Rnd, 0.44h .03-.12, Blk Nyl	1

Fig. 37 - ES Tank Goup



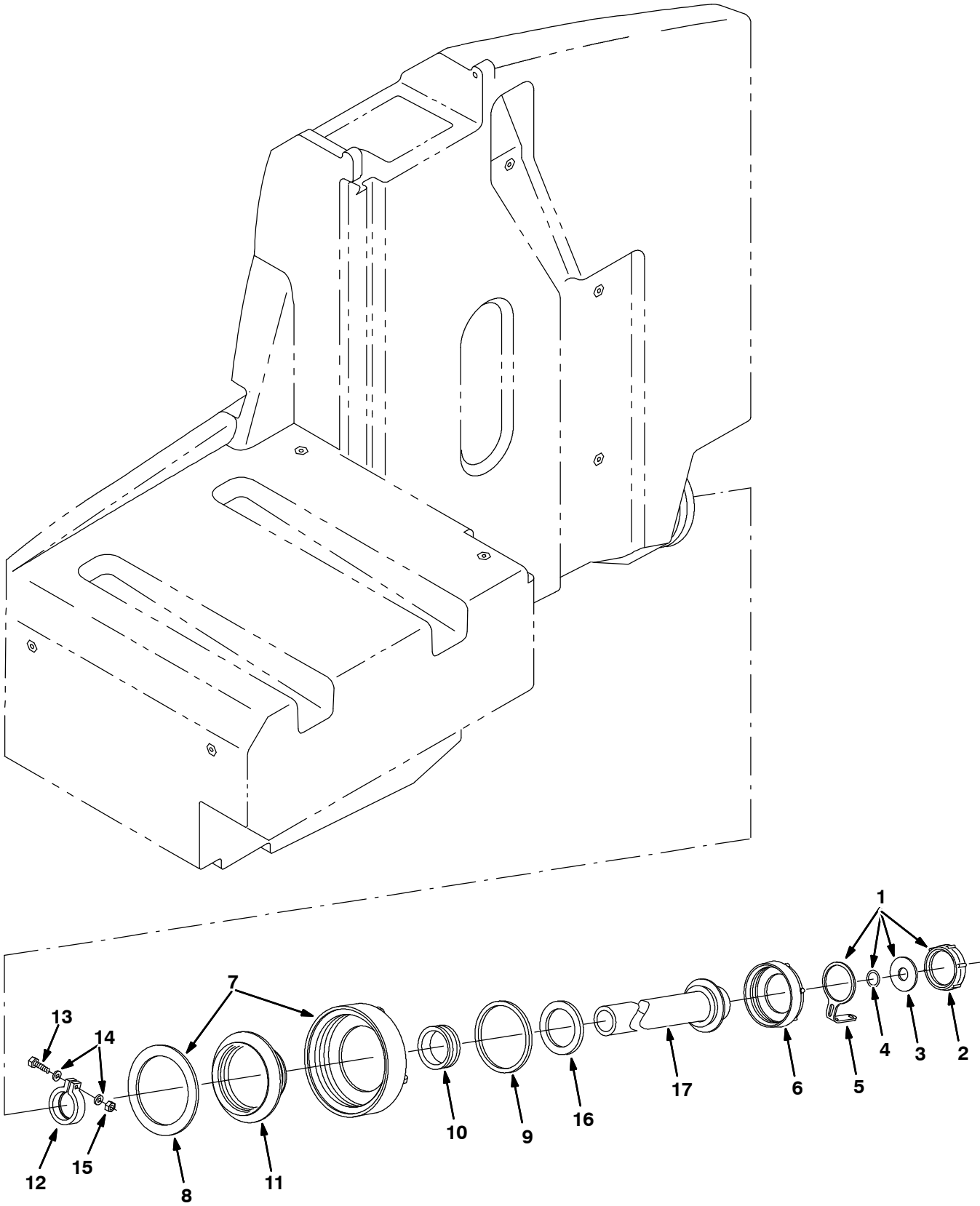


**Fig. 37 - ES Tank Group**

NOTE: ES™ Kit, TENNANT Part Number 386557, includes Fig. 36, Fig. 37, and Fig. 38.

Ref.	Tennant Part No.	Machine Serial Number	Description	Qty.
1	63810	(000000-	) Clamp, Hose, Wormdrive, 0.56-1.06d, .56w	3
2	14877	(000000-	) Fitting, Plstc, E90, Bm12/Pm12	2
3	387266	(000000-	) Hose, Vyl, Brd, .75id 28.0l	1
4	24543	(000000-	) Fitting, Plstc, E90, Bm12/Pf12	1
5	386652	(000000-	) Strainer, Pump, Es	1
6	375427	(000000-003426	) Switch Assy, Dual Press, 14" Tube	1
7	08713	(000000-	) Nut, Hex, Lock, M08 X 1.25,NI, Ss	1
8	13292	(000000-003426	) Hose, Vacuum, 0.16id X 05.0l	1
9	360943	(000000-	) Screw, Pan, #10-14 X 0.75, F/ Plstc	4
10	67004	(000000-	) Clip, Finger Grip	1
11	387225	(000000-	) Angle, Wand, Clean-Out	1
12	387226	(000000-	) Plate, Wand, Clean-Out	1
13	09206	(000000-	) Screw, Hex, M04 X 0.7 X 12, 8.8	1
14	02850	(000000-	) Nut, Hex, Lock, M04 X 0.7, NI	1
15	387109	(000000-	) Wand, Clean-Out	1
16	387159	(000000-	) Nozzle, Water	1
17	387160	(000000-	) Fitting, Plstc, Str, 08pmxgarden	1
18	387161	(000000-	) Washer, Rbr, .68idx1.0od	1
19	387045	(000000-	) Strainer, Tank, Solution	1
20	375426	(000000-	) Switch Assy, Press, 3 Inch, 8" Tube	1
21	382991	(000000-	) Valve, Flow Control, Hose Adapter	1
22	387236	(000000-	) Hose, Vyl, Brd, .62id 55.0l	1
23	375308	(000000-	) Hose, Pvc, Clr, 0.50id 0.69od 50.00l	1
24	49266	(000000-	) Tie, Cable, Nyl, 07.3l .19w 1.8 Max D	2
25	69234	(000000-	) Clamp, Cable, Stl, 1.00d X 0.62w, 1h	1
26	49826	(000000-	) Screw, Hex, M08 X 1.25 X 16, Ss, NI	1
27	387061	(000000-	) Bracket, Full	1
28	09011	(000000-	) Screw, Hex, M08 X 1.25 X 30, Ss	1
29	63416	(000000-	) Washer, 0.31b 0.88d .12, Rbr	1
30	01685	(000000-	) Washer, Flt, .31 Ss	2
31	375302	(003427-004029	) Strainer, Soltn, Switch Guard (Repl By 1019285)	2
32	222822	(003427-003859	) Sensor, Level, Liquid [Magnetic]	2
32	385685	(003860-	) Sensor, Level, Liquid [Magnetic]	2
33	369766	(003427-003859	) Harness, Sensor, Jumper	2
34	1019285	(004030-	) Bracket, Protector, Float Switch	2

Fig. 38 - ES Drain Assembly



**Fig. 38 - ES Drain Assembly**

NOTE: ES™ Kit, TENNANT Part Number 386557, includes Fig. 36, Fig. 37, and Fig. 38.

	<b>Ref.</b>	<b>Tennant Part No.</b>	<b>Machine Serial Number</b>	<b>Description</b>	<b>Qty.</b>
▽		387467	(000000-	) Kit, Drain Hose, Solution Side	1
▲▽	1	32501	(000000-	) Kit, Cap, Drain	1
▲▲	2	32613	(000000-	) Cap, Tank, Drain, 2.25 Thread Pye	1
▲▲	3	32614	(000000-	) Gasket, Cap	1
▲▲	4	32669	(000000-	) Ring, Retaining, Ext, 0.75d, Ss	1
▲▲	5	32508	(000000-	) Strap	1
▲	6	14880	(000000-	) Cap, Tank, Drain, 3.85 Thread Pye	1
▲▽	7	24358	(000000-	) Cap, Tank	1
▲▲	8	1031699	(000000-	) Gasket, .19, 4.05id 5.29od [Buna]	1
▲	9	79320	(000000-	) Gasket, Cap, Drain	1
▲	10	41421	(000000-	) Seal	1
▲	11	14864	(000000-	) Cover, Insert	1
▲	12	41454	(000000-	) Clamp, Hose, Plstc, 1.60d X 0.62w	1
▲	13	12316	(000000-	) Screw, Hex, M05 X 0.8 X 25, Ss	1
▲	14	01683	(000000-	) Washer, Flt, #10 Ss	1
▲	15	09739	(000000-	) Nut, Hex, Lock, M05 X 0.8, NI, Ss	1
▲	16	41451	(000000-	) Gasket, Lid	1
▲	17	386423	(000000-	) Hose Assy, Drain	1

Fig. 39 - ec-H2O Solution Pump Group

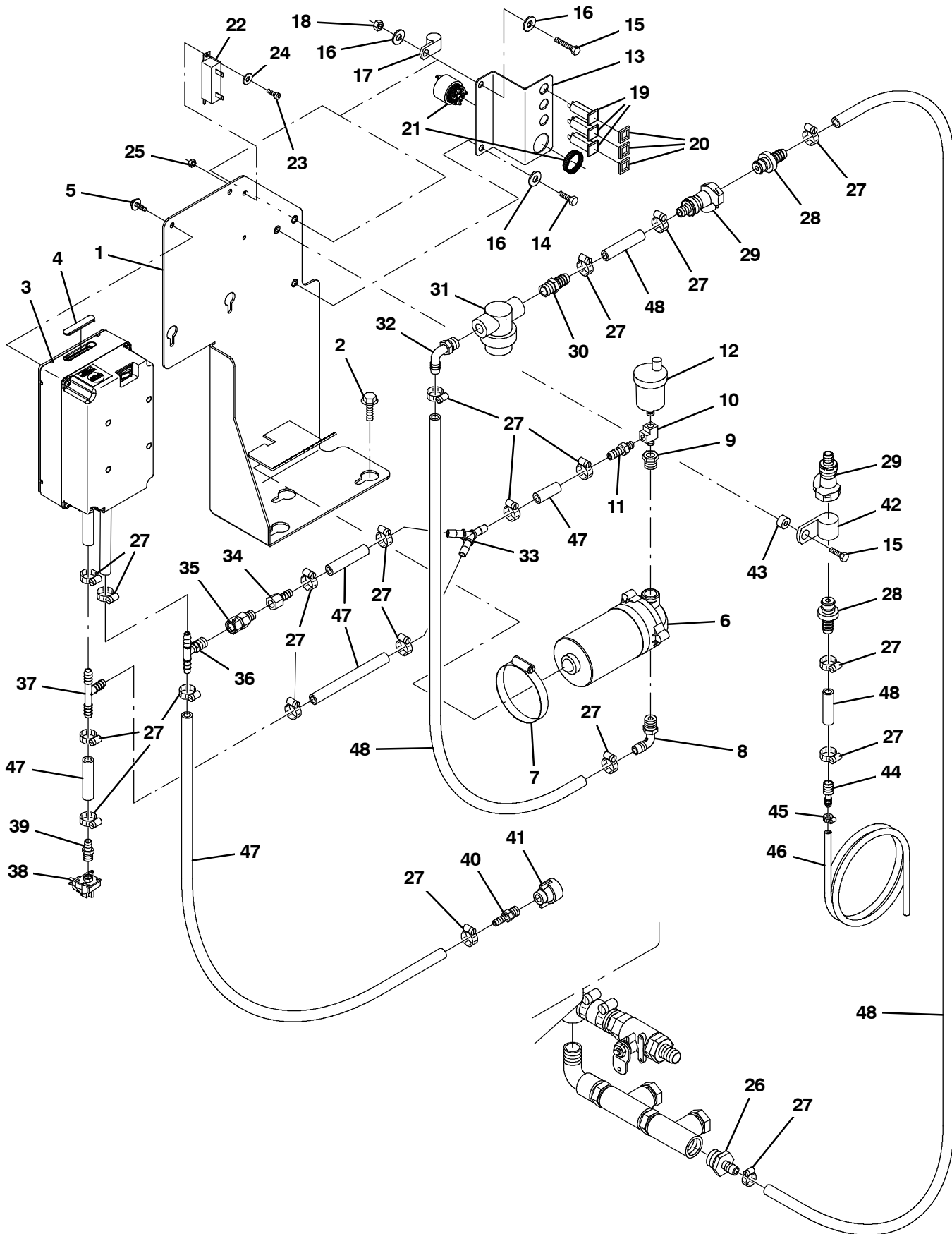
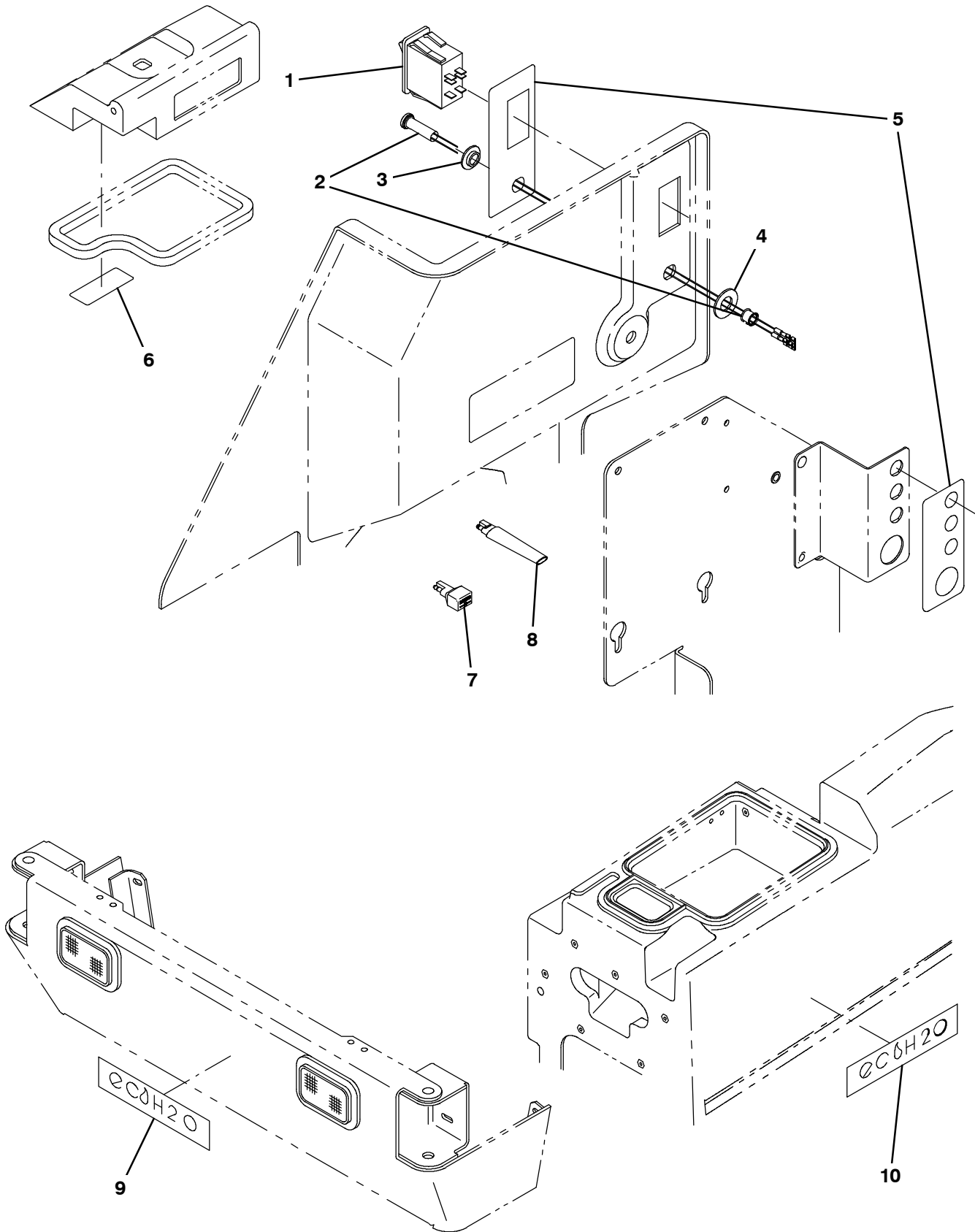


Fig. 39 - ec-H2O Solution Pump Group

Ref.	Tennant Part No.	Machine Serial Number	Description	Qty.
1	1055336	(000000-	) Bracket Wldt, Module	1
2	1037346	(000000-	) Screw, Hex, M8 X 1.25 X 25, 9.8, Sems	3
3	9006210	(000000-	) Module, Water, W/Pkg [7300 Ec-H2o] (See Breakdowns)	1
4	1050431	(000000-	) Grommet, Blind	1
5	1040467	(000000-	) Screw, Hex, M6 X 1.00 X 20, 9.8, Sems	4
6	1005866	(000000-	) Pump, Soltn, Ele, 36vdc (See Breakdowns)	1
7	17188	(000000-	) Clamp, Hose, Wormdrive, 2.50-3.50d, .50w	1
8	64778	(000000-	) Fitting, Plstc, E90, Bm08/Pm06	1
9	24698	(000000-	) Fitting, Brs, Str, Pf02/Pm06	1
10	26426	(000000-	) Fitting, Brs, Tee, Pf02/Pf02/Pm02, Run	1
11	1005375	(000000-	) Fitting, Plstc, Str, Bm06/Pm02, Nyl	1
12	1017386	(000000-	) Valve, Vent, Air, Float Type	1
13	1052683	(000000-	) Bracket, Component	1
14	16735	(000000-	) Screw, Hex, M8 X 1.25 X 16, 8.8	1
15	76570	(000000-	) Screw, Hex, M8 X 1.25 X 30, 8.8	2
16	32490	(000000-	) Washer, Flat, 0.25, Std	3
17	82829	(000000-	) Clamp, Cable, Stl, 0.63d X 0.75w, 1hole	1
18	08709	(000000-	) Nut, Hex, Lock, M8 X 1.25, NI	1
19	1053078	(000000-	) Circuitbreaker, 2.0a, Resetable	3
20	1046173	(000000-	) Boot, Circuitbreaker	3
21	1052726	(000000-	) Alarm, 9-48vdc, 95 Db(A) [Ec-H2O]	1
22	1056416	(000000-	) Resistor, 011.00 Ohm, 0040Watt [5%]	1
23	12312	(000000-	) Screw, Hex, M5 X 0.80 X 12, 8.8	2
24	01683	(000000-	) Washer, Flat, 10, Ss	2
25	07789	(000000-	) Nut, Hex, Flng, M5 X 0.80	2
26	79273-1	(000000-	) Fitting, Plstc, Str, Bm08/Pm12	1
27	54333	(000000-	) Clamp, Hose, Wormdrive, 0.31-0.88d, .31w	19
28	1017415	(000000-	) Insert, Cplg, Qm, Bm08	2
29	1017413	(000000-	) Housing, Cplg, Qf / Pm08	2
30	64743	(000000-	) Fitting, Plstc, Str, Bm08/Pm06	1
31	1005302	(000000-	) Filter, In-Line, Pf06/Pf06 080mesh 02.6l	1
32	64778	(000000-	) Fitting, Plstc, E90, Bm08/Pm06	1
33	1017255	(000000-	) Fitting, Plstc, Y, Bm06/Bm06/Bm06, Nyl	1
34	150511	(000000-	) Fitting, Brs, Str, Bm06/Pf04	1
35	1055255	(000000-	) Valve, Check, 0030psi Pm04/Pf04	1
36	1052832	(000000-	) Fitting, Plstc, Tee, Bm05/Bm05/Pm04	1
37	87173	(000000-	) Fitting, Plstc, Tee, Bm06/Bm06/Bm06	1
38	1055254	(000000-	) Switch, Press, 25 Psi, Pm02	1
39	150016	(000000-	) Fitting, Brs, Str, Bm06/Pf02, Spcl	1
40	1052017	(000000-	) Fitting, Plstc, Str, Bm05/Pm04	1
41	1043866	(000000-	) Fitting Assy, Qdc, Pf04	1
42	40678-1	(000000-	) Clamp, Cable, Stl, 0.88d X 0.62w, 1hole	1
43	360352	(000000-	) Tube, 0.34id 0.62od 00.2l, Stl	1
44	630164	(000000-	) Fitting, Plstc, Str, Bm04/Bm08	1
45	43844	(000000-	) Clamp, Hose, Wormdrive, 0.25-0.62d, .31w	1
46	1011411	(000000-	) Hose, Afmkt, Pvc, Brd, 0.25id, 03ft	1
47	1014976	(000000-	) Hose, Afmkt, Pvc, Brd, 0.38id, 08ft, Clr	1
48	1011412	(000000-	) Hose, Afmkt, Pvc, Brd, 0.50id, 08ft, Clr	1

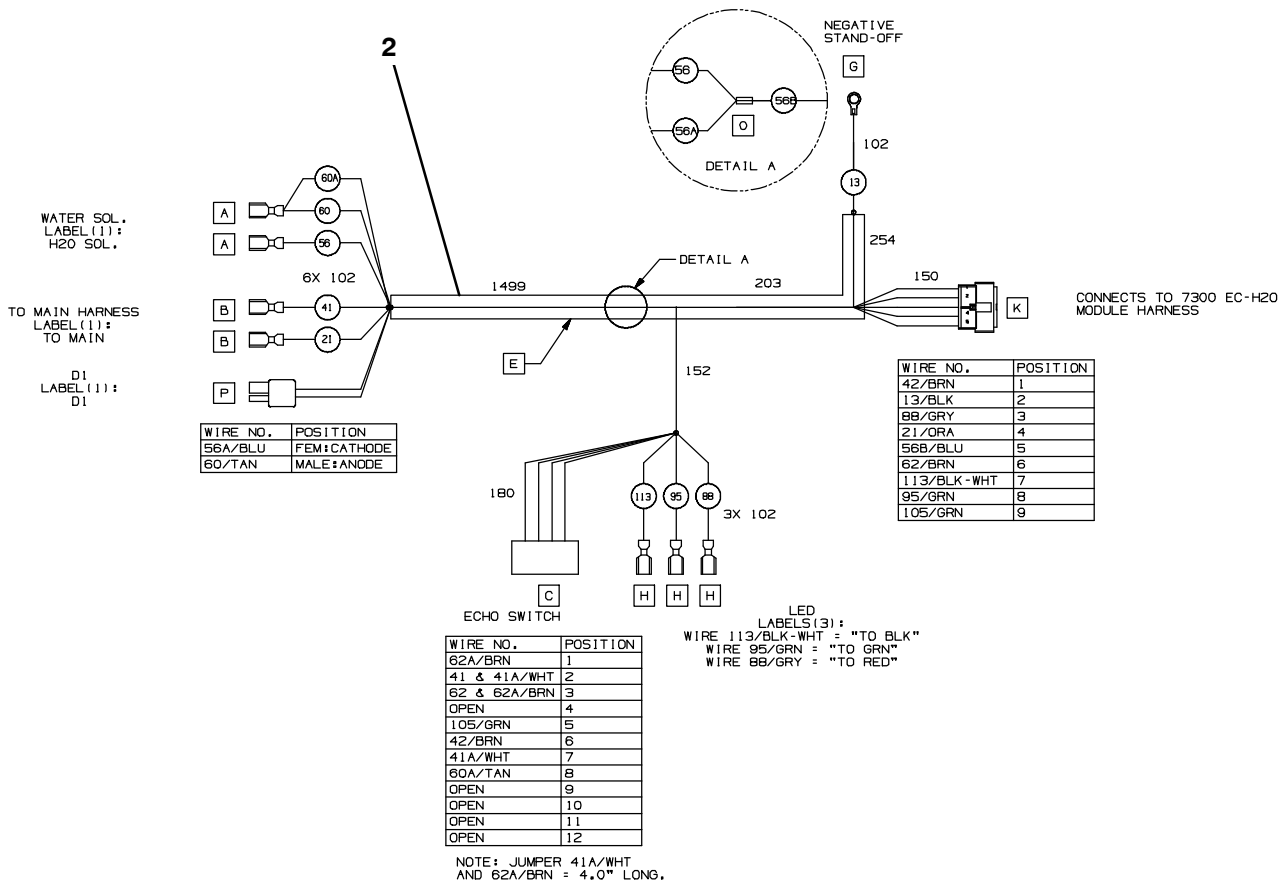
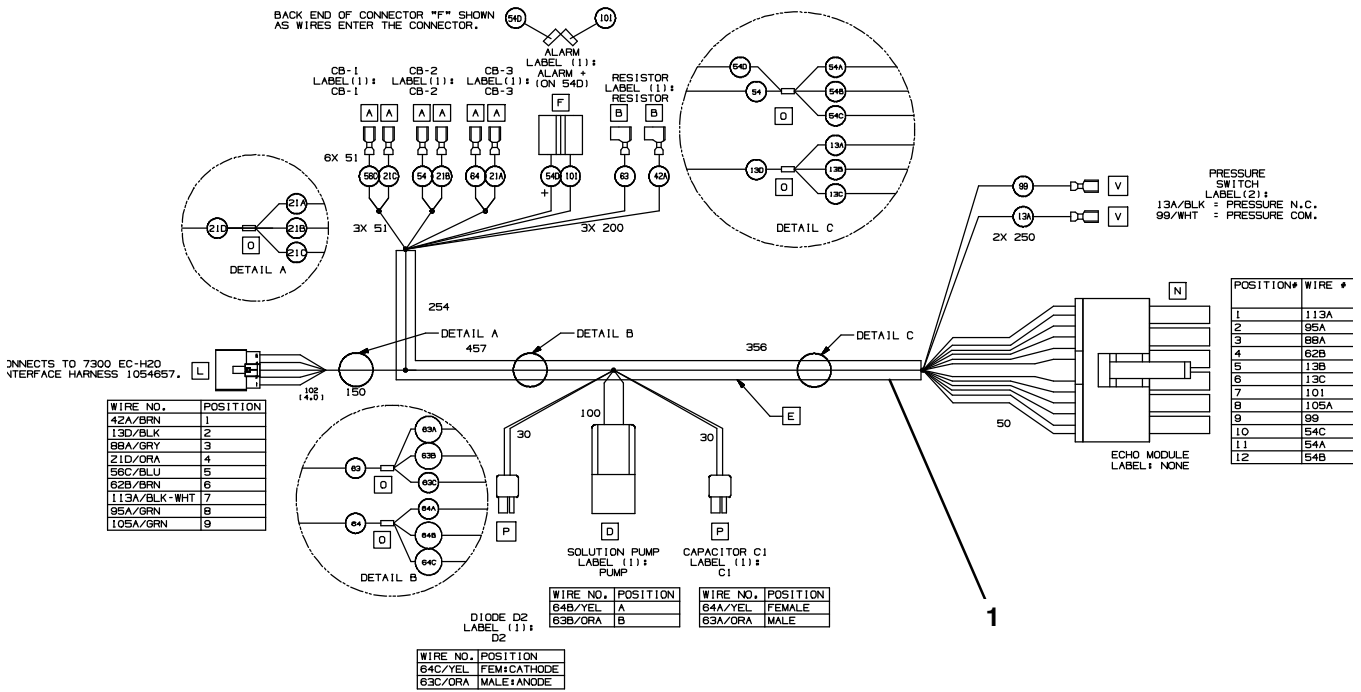
Fig. 40 - ec-H20 Switch and Label Group



**Fig. 40 - ec-H20 Switch and Label Group**

<b>Ref.</b>	<b>Tenant Part No.</b>	<b>Machine Serial Number</b>	<b>Description</b>	<b>Qty.</b>
1	377084	(000000-	) Switch, Rocker, Prgrsv	1
2	1041822	(000000-	) Light, Led, .312d, 2 Volt [Tri-Color]	1
3	1055883	(000000-	) Bushing, Light, Led	1
4	43454	(000000-	) Washer, Flat, 0.34b 0.69d .06, Nyl	1
5	1056331	(000000-	) Label Set, Opertnl [7300 ec-H2O]	1
6	1050003	(000000-	) Label [User, Attention, Ec-H2o]	1
7	222290	(000000-	) Diode, Ele, Plug	1
8	1040868	(000000-	) Capacitor, Plug [.01 Uf, 200v]	1
9	1052755	(000000-	) Label, Front [Ec-H2o, T15]	1
10	1056944	(000000-	) Label, Tank [ec-H20]	2

Fig. 41 - ec-H20 Wire Harness Group





**Fig. 41 - ec-H20 Wire Harnesses Group**

<b>Ref.</b>	<b>Tennant Part No.</b>	<b>Machine Serial Number</b>	<b>Description</b>	<b>Qty.</b>
1	1050664	(000000-	) Harness, Wire [7300 Ec-H2o, Module]	1
2	1054657	(000000-	) Harness, Wire [7300, Ec-H2o Interface]	1

Fig. 42 - Positive Solution Control Drain Kit, Recovery Tank

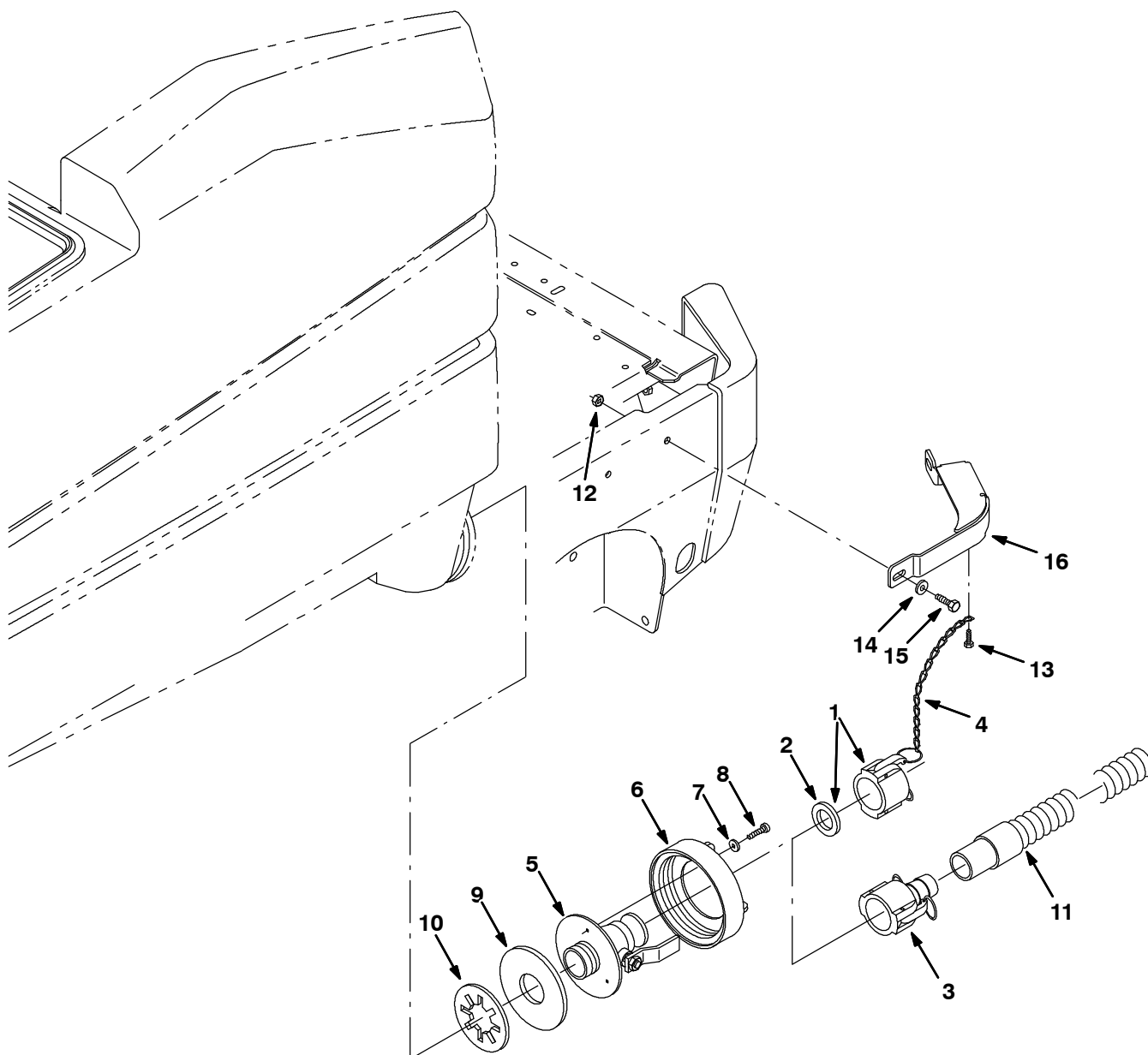


Fig. 42 - Positive Solution Control Drain Kit, Recovery Tank

	Ref.	Tennant Part No.	Machine Serial Number	Description	Qty.
▽		387127	(000000-	) Kit, Ci, Drain, Soltn, Pos, Cntrl, Recvy	1
▲▽		387221	(000000-	) Cap Assy	1
▲▲	1	48733	(000000-	) Cap, Dust	1
▲▲	2	371905	(000000-	) Gasket, Cap, Dust	1
▲	3	48734	(000000-	) Fitting, Coupler, Hose, Shank, Fem	1
▲	4	19903	(000000-	) Chain, Sash, #35, 07.2l 13 Link	1
▲	5	1049269	(000000-	) Valve, Ball, Drain, 1.50ID, Ss, Rwk	1
▲	6	23456	(000000-	) Cap, Tank, Drain, 6.17 Thread Pye	1
▲	7	01684	(000000-	) Washer, Flt, .25 Ss	3
▲	8	09744	(000000-	) Screw, Hex, M6 X 1.00 X 12, Ss	3
▲	9	1031700	(000000-	) Gasket, .19, 2.00ld 5.38OD [BUNA]	1
▲	10	20932	(000000-	) Washer, Polye	1
▲	11	75635	(000000-	) Hose Assy, W/1cuff, 1.5d 120l 1.5/	1
▲	12	07792	(000000-	) Nut, Hex, Flng, M10 X 1.5	2
▲	13	74455	(000000-	) Screw, Hex, M6 X 1.0 X 12, Fmg	1
▲	14	32492	(000000-	) Washer, Flt, .38 Std	2
▲	15	39284	(000000-	) Screw, Hex, M10 X 1.5 X 35, 8.8	2
▲	16	387213	(000000-	) Bumper, Posi Drain, Recvy Side	1

Fig. 43 - Positive Solution Control Drain Kit, Solution Tank

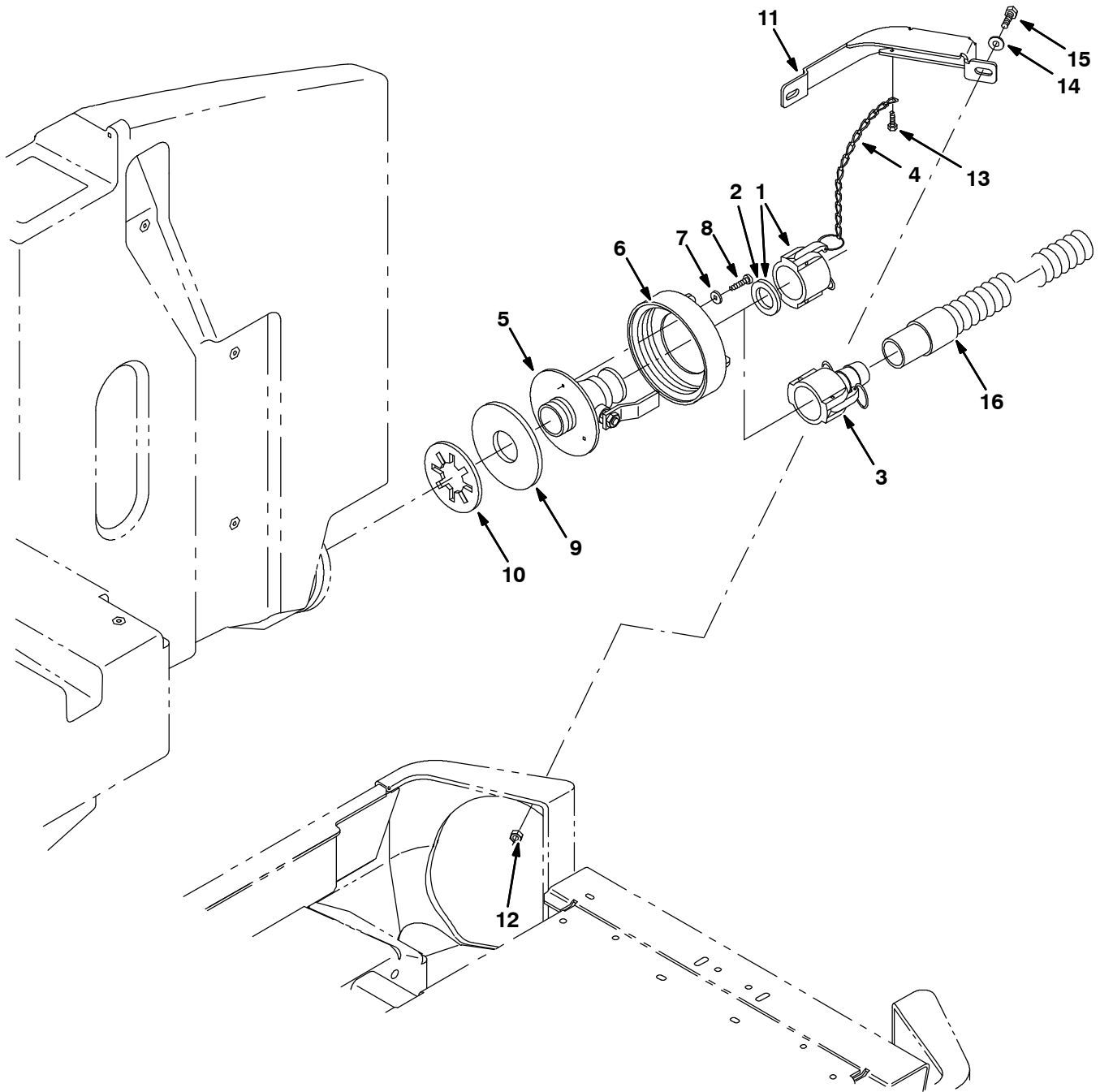
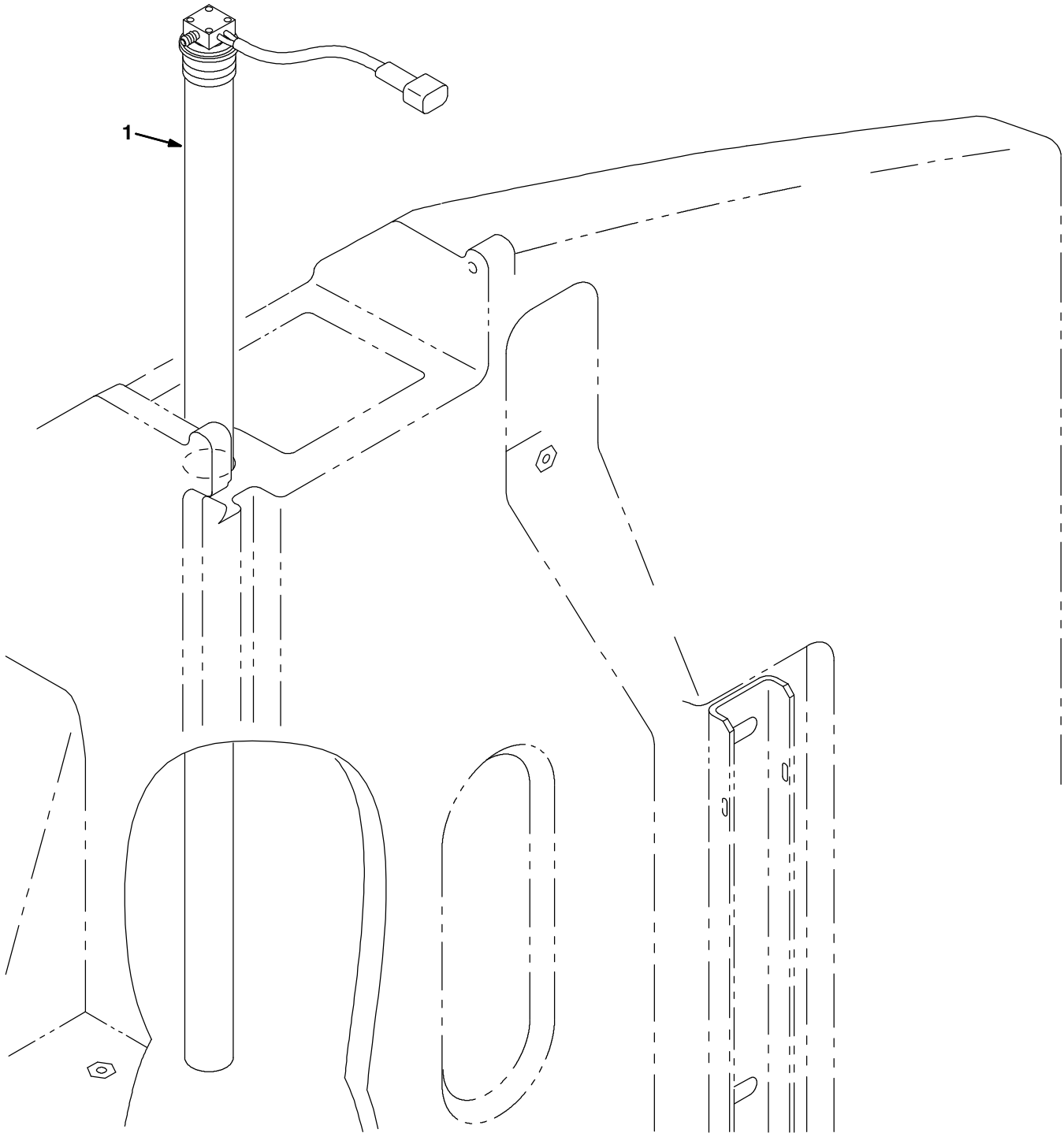


Fig. 43 - Positive Solution Control Drain Kit, Solution Tank

	Ref.	Tennant Part No.	Machine Serial Number	Description	Qty.
▽		387483	(000000-	) Kit, Ci, Drain, Soltn, Pos Cntrl, Soltn	1
▲▽	1	48733	(000000-	) Cap, Dust	1
▲▲	2	371905	(000000-	) Gasket, Cap, Dust	1
▲	3	48734	(000000-	) Fitting, Coupler, Hose, Shank, Fem	1
▲	4	19903	(000000-	) Chain, Sash, #35, 07.2l 13 Link	1
▲	5	1049269	(000000-	) Valve, Ball, Drain, 1.50ID, Ss, Rwk	1
▲	6	23456	(000000-	) Cap, Tank, Drain, 6.17 Thread Pye	1
▲	7	01684	(000000-	) Washer, Flt, .25 Ss	3
▲	8	09744	(000000-	) Screw, Hex, M6 X 1.00 X 12, Ss	3
▲	9	1031700	(000000-	) Gasket, .19, 2.00ld 5.38OD [BUNA]	1
▲	10	20932	(000000-	) Washer, Polye	1
▲	11	387126	(000000-	) Bumper, Posi Drain, Recvy Side	1
▲	12	07792	(000000-	) Nut, Hex, Flng, M10 X 1.5	2
▲	13	74455	(000000-	) Screw, Hex, M6 X 1.0 X 12, Fmg	1
▲	14	32492	(000000-	) Washer, Flt, .38 Std	2
▲	15	39284	(000000-	) Screw, Hex, M10 X 1.5 X 35, 8.8	2
▲	16	75635	(000000-	) Hose Assy, W/1cuff, 1.5d 120l 1.5/	1

**Fig. 44 - Low Water Level Kit**



**Fig. 44 - Low Water Level Kit**

	<b>Ref.</b>	<b>Tennant Part No.</b>	<b>Machine Serial Number</b>	<b>Description</b>	<b>Qty.</b>
▽		387003	(000000-	) Kit, Ci, Indicator, Low Water Level	1
▲	1	375431	(000000-	) Kit, Replmt, Press Switch/34" Tube	1

Fig. 45 - Detergent Metering Kit

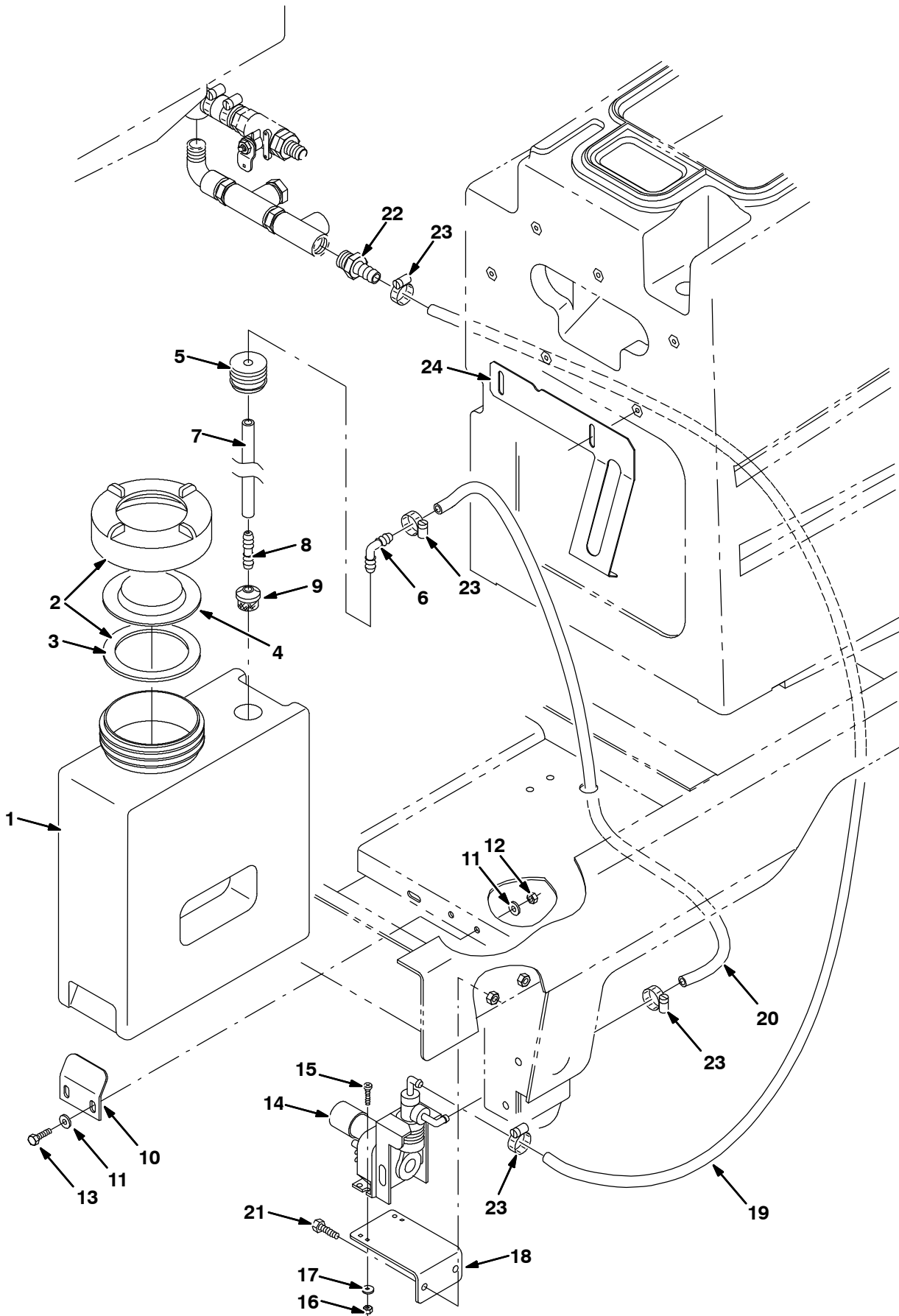
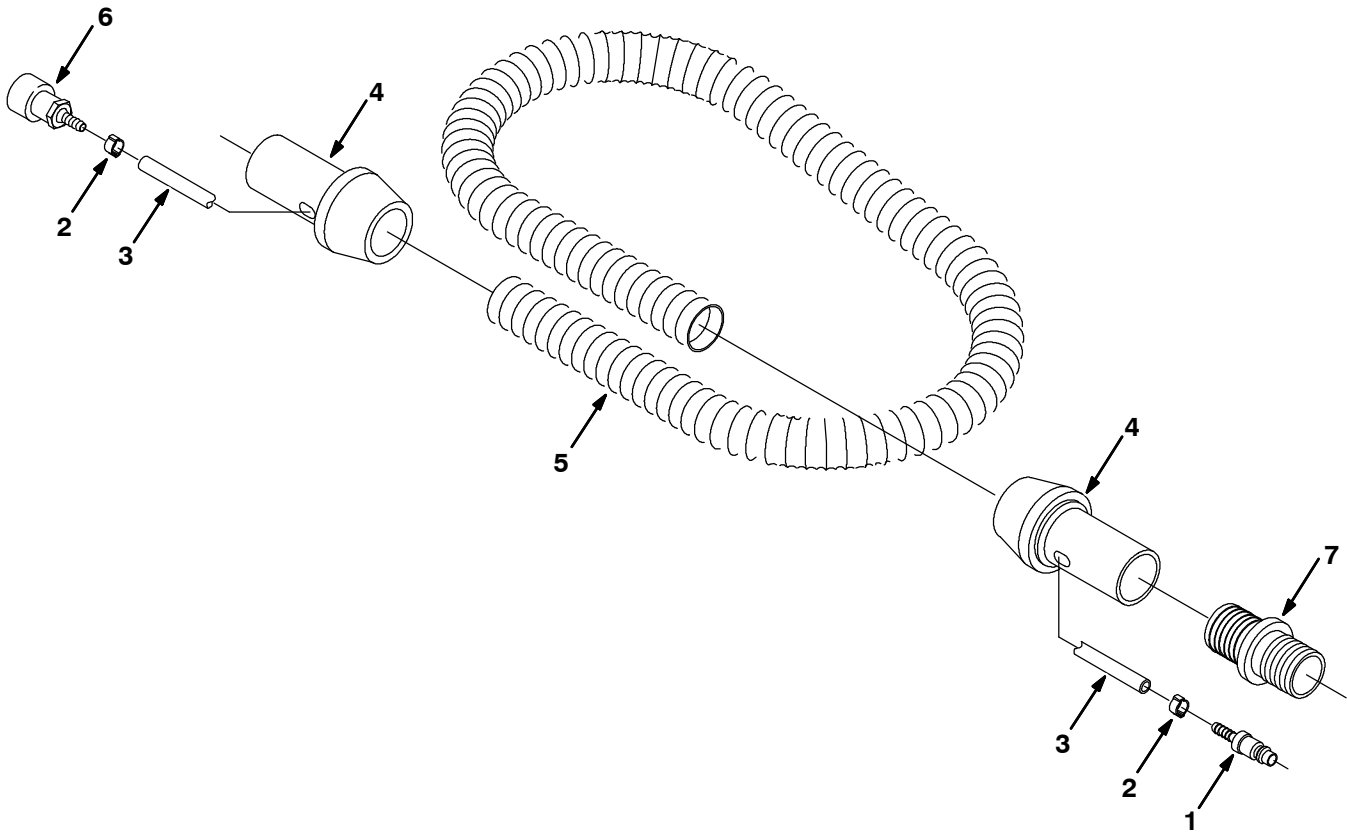




Fig. 45 - Detergent Metering Kit

	Ref.	Tennant Part No.	Machine Serial Number	Description	Qty.
▽		386482	(000000-	) Kit, Ci, Detgt Metering	1
▲	1	386163	(000000-	) Tank, Detergent	1
▲▽	2	24358	(000000-	) Cap, Tank	1
▲▲	3	1031699	(000000-	) Gasket, .19, 4.05id 5.29od [Buna]	1
▲	4	86636	(000000-	) Cover, Tank	1
▲	5	20944	(000000-	) Grommet, Pye, 0.37id, F/ 1.5h, .13matl	2
▲	6	20951	(000000-	) Fitting, Plstc, E90, 06bm/06bm	1
▲	7	382452	(000000-	) Hose, Pvc, Brd, 0.38id 0.60od 15.00l	1
▲	8	20950	(000000-	) Fitting, Plstc, Str, Bm06/Bm06	1
▲	9	20952	(000000-	) Screen, Pump	1
▲	10	386395	(000000-	) Plate, Mtg, Tank, Detgt	1
▲	11	01685	(000000-	) Washer, Flt, .31 Ss	4
▲	12	08713	(000000-	) Nut, Hex, Lock, M08 X 1.25,NI, Ss	2
▲	13	09023	(000000-	) Screw, Hex, M08 X 1.25 X 35, Ss	2
▲	14	386364	(000000-	) Pump, Detgt, 36vdc (See Breakdown)	1
▲	15	12323	(000000-	) Screw, Pan, M04 X 0.7 X 20, Ss	4
▲	16	33932	(000000-	) Nut, Hex, Lock, M04 X 0.7, NI, Ss	4
▲	17	41579	(000000-	) Washer, Flt, #08 Ss	4
▲	18	386462	(000000-	) Angle, Mtg, Pump, Detergent	1
▲	19	387049	(000000-	) Hose, Vyl, Brd .38id .60od 45.0l	1
▲	20	364669	(000000-	) Hose, Pvc, Brd, 0.38id 0.60od 66.00l	1
▲	21	09023	(000000-	) Screw, Hex, M08 X 1.25 X 35, Ss	2
▲	22	73467	(000000-	) Fitting, Plstc, Str, Bm06/Pm12	1
▲	23	43844	(000000-	) Clamp, Hose, Wormdrive, 0.25-0.62d	4
▲	24	386432	(000000-	) Bracket, Retaining, Tank, Detgt	1

**Fig. 46 - Power Wand Hose Assembly**



**Fig. 46 - Power Wand Hose Assembly**

NOTE: Power Wand Kit, Tennant Part Number 387147, includes; Fig. 46, Fig. 47, Fig. 48, and Fig. 49.

	<b>Ref.</b>	<b>Tennant Part No.</b>	<b>Machine Serial Number</b>	<b>Description</b>	<b>Qty.</b>
▽		65341	(000000-	) Hose Assembly	1
▲	1	578318000	(000000-	) Fitting, Quick Disconnect	1
▲	2	578160000	(000000-	) Clamp, Hose	2
▲	3	578820000	(000000-	) Hose	1
▲	4	578072000	(000000-	) Cuff, Swivel	2
▲	5	578276000	(000000-	) Hose, Vacuum	1
▲	6	578071000	(000000-	) Fitting, Quick Disconnect	1
	7	48609	(000000-	) Fitting, Plstc, Str, Bm24/Bm32	1

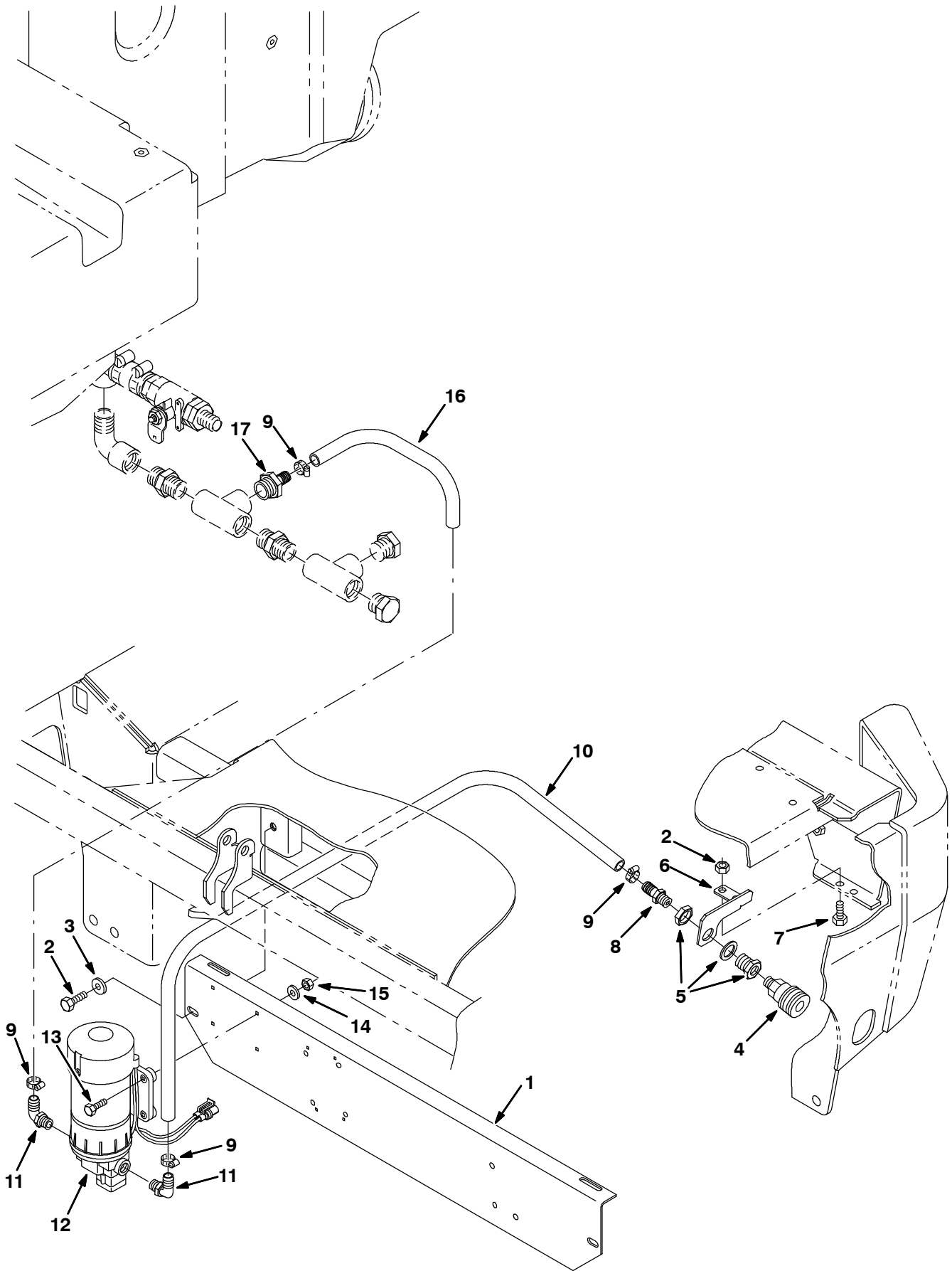


**Fig. 47 - Power Wand Assembly**

NOTE: Power Wand Kit, Tennant Part Number 387147, includes; Fig. 46, Fig. 47, Fig. 48, and Fig. 49.

Ref.	Tennant Part No.	Machine Serial Number	Description	Qty.
▽	65340	(000000-	) Kit, Wand, Power [5400]	1
▲ 1	578077000	(000000-	) Bracket, Mtg	1
▲ 2	578061000	(000000-	) Adaptor	2
▲ 3	578214000	(000000-	) Fitting, Elbow	1
▲ 4	579112	(000000-	) Adaptor	1
▲ 5	602036000	(000000-	) Rivet, Pop	2
▲ 6	578066000	(000000-	) Nozzle, Spray	1
▲ 7	65610	(000000-	) Brush, Block, Scrub, Poly	1
▲ 8	578063000	(000000-	) Head, Wand	1
▲ 9	578078000	(000000-	) Strip, Retainer	2
▲ 10	578074000	(000000-	) Blade, Squeegee	2
▲ 11	578124000	(000000-	) Bracket	1
▲ 12	578439	(000000-	) Nut, Thumb, M6 X 30mm Dia	1
▲ 13	578228000	(000000-	) Spring, Compression	1
▲ 14	578143000	(000000-	) Stud, Adj	1
▲ 15	578126000	(000000-	) Axle, Wand	1
▲ 16	578125000	(000000-	) Wheel	2
▲ 17	578123000	(000000-	) Bracket	1
▲ 18	578155000	(000000-	) Handle, Wand	1
▲ 19	578154000	(000000-	) Handle, Wand	1
▲ 20	578091000	(000000-	) Plug, Qm, .25npt	1
▲ 21	578164000	(000000-	) Grommet	1
▲ 22	578821000	(000000-	) Hose, Wand	1
▲ 23	578161000	(000000-	) Clamp, Hose	2
▲ 24	578094000	(000000-	) Fitting, Hose, Barbed, .25npt Mal	1
▲ 25	578064000	(000000-	) Valve, Water	1
▲ 26	150208	(000000-	) Plug	1
▲ 27	578060000	(000000-	) Wand	1
▲ 28	65582	(000000-	) Brush, Block, Scrub, Ab	1

Fig. 48 - Power Wand Pump and Fittings Group

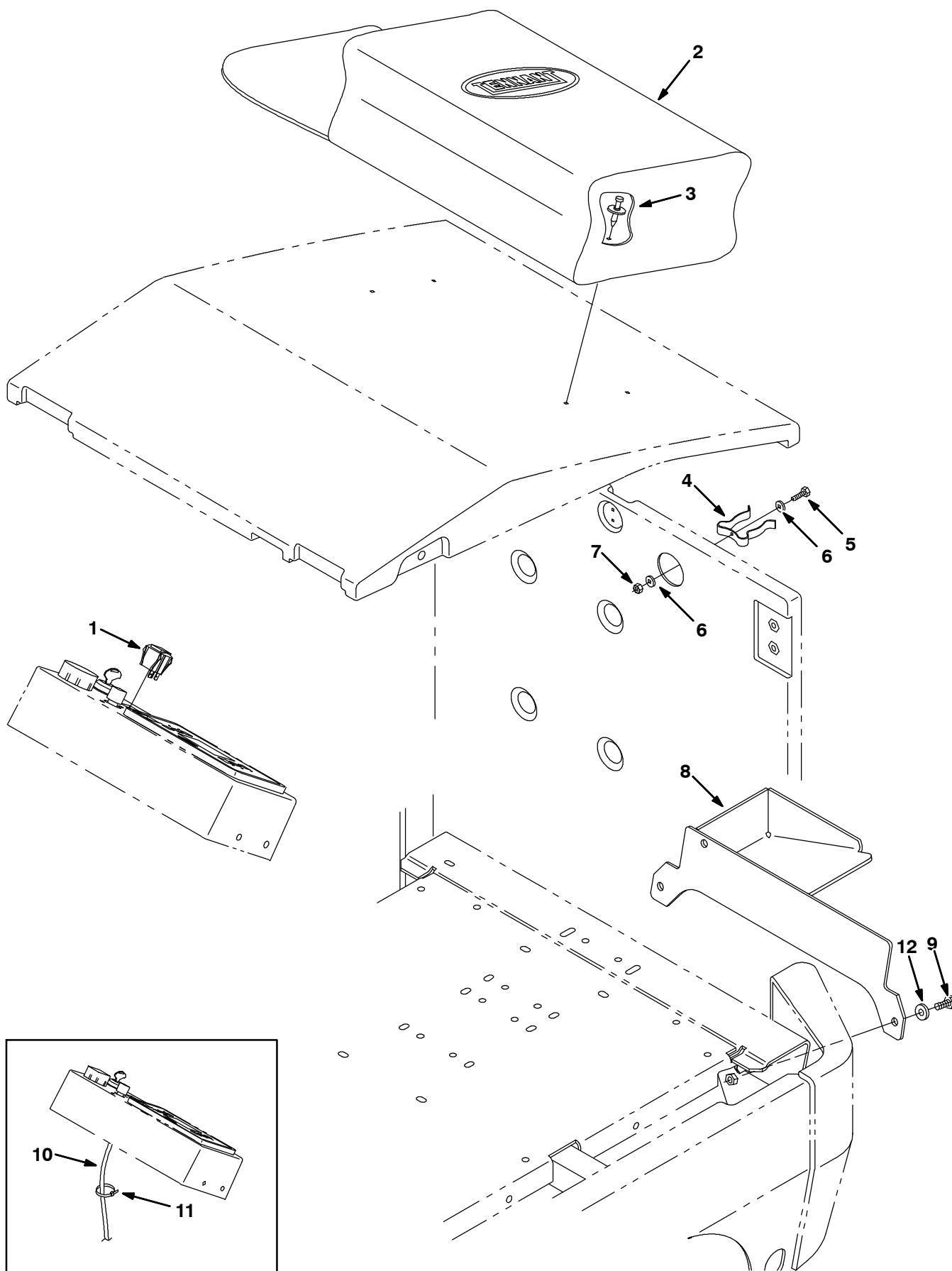


**Fig. 48 - Power Wand Pump and Fittings Group**

NOTE: Power Wand Kit, Tennant Part Number 387147, includes; Fig. 46, Fig. 47, Fig. 48, and Fig. 49.

Ref.	Tennant Part No.	Machine Serial Number	Description	Qty.
1	386392	(000000-	) Angle, Mtg, Es	1
2	09010	(000000-	) Screw, Hex, M08 X 1.25 X 25, Ss	4
3	01685	(000000-	) Washer, Flt, .31 Ss	2
4	65342	(000000-	) Fitting, Brs, Qdc, Pm04/Qf06	1
5	78122	(000000-	) Fitting, Brs, Str, Pf04/Pf04 Bkhd	1
6	386393	(000000-	) Bracket, Power Wand	1
7	08713	(000000-	) Nut, Hex, Lock, M08 X 1.25, NI, Ss	2
8	48610	(000000-	) Fitting, Plstc, Str, Bm08/Pm04	1
9	54333	(000000-	) Clamp, Hose, Wormdrive, 0.31-0.88d	4
10	84057	(000000-	) Hose, Pvc, Wir, 0.50id 0.74od 47.00l	1
11	65581	(000000-	) Fitting, Plstc, E90, Bm08/Pm04	2
12	387321	(000000-	) Pump Assy, Power Wand (See Breakdown)	1
13	09007	(000000-	) Screw, Hex, M06 X 1.0 X 25, Ss	4
14	01684	(000000-	) Washer, Flt, .25 Ss	4
15	08712	(000000-	) Nut, Hex, Lock, M06 X 1.0, NI, Ss	4
16	63184	(000000-	) Hose, Pvc, Wir, 0.50id 0.75od 15.50l	1
17	79273-1	(000000-	) Fitting, Plstc, Str, Bm08/Pm12	1

Fig. 49 - Power Wand Mount Group





**Fig. 49 - Power Wand Mount Group**

NOTE: Power Wand Kit, Tennant Part Number 387147, includes; Fig. 46, Fig. 47, Fig. 48, and Fig. 49.

<b>Ref.</b>	<b>Tennant Part No.</b>	<b>Machine Serial Number</b>	<b>Description</b>	<b>Qty.</b>
1	222117	(000000-	) Switch, Rocker	1
2	65580	(000000-	) Bag, Power	1
3	72968	(000000-	) Rivet, Plstc, .250 X 0.898	2
4	67004	(000000-	) Clip, Finger Grip	1
5	09228	(000000-	) Screw, Hex, M04 X 0.7 X 20, 8.8	1
6	19064	(000000-	) Washer, Flt, #06	2
7	02850	(000000-	) Nut, Hex, Lock, M04 X 0.7, NI	1
8	387050	(000000-	) Tray Wldt, Power Wand	1
9	12273	(000000-	) Screw, Hex, M08 X 1.25 X 20, Ss, NI	3
10	387422	(000000-	) Harness, Power Wand, [7300/8300]	1
10	386608	(000000-xxxxxx	) Harness, Power Wand, [7300/8300]	1
10	387422	(xxxxxx-003545	) Harness, Power Wand, [7300/8300]	1
11	49266	(000000-003545	) Tie, Cable, Nyl, 07.3l .19w 1.8 Max D	4
12	01685	(000000-	) Washer, Flt, .31	3

Fig. 50 - Vacuum Wand Kit

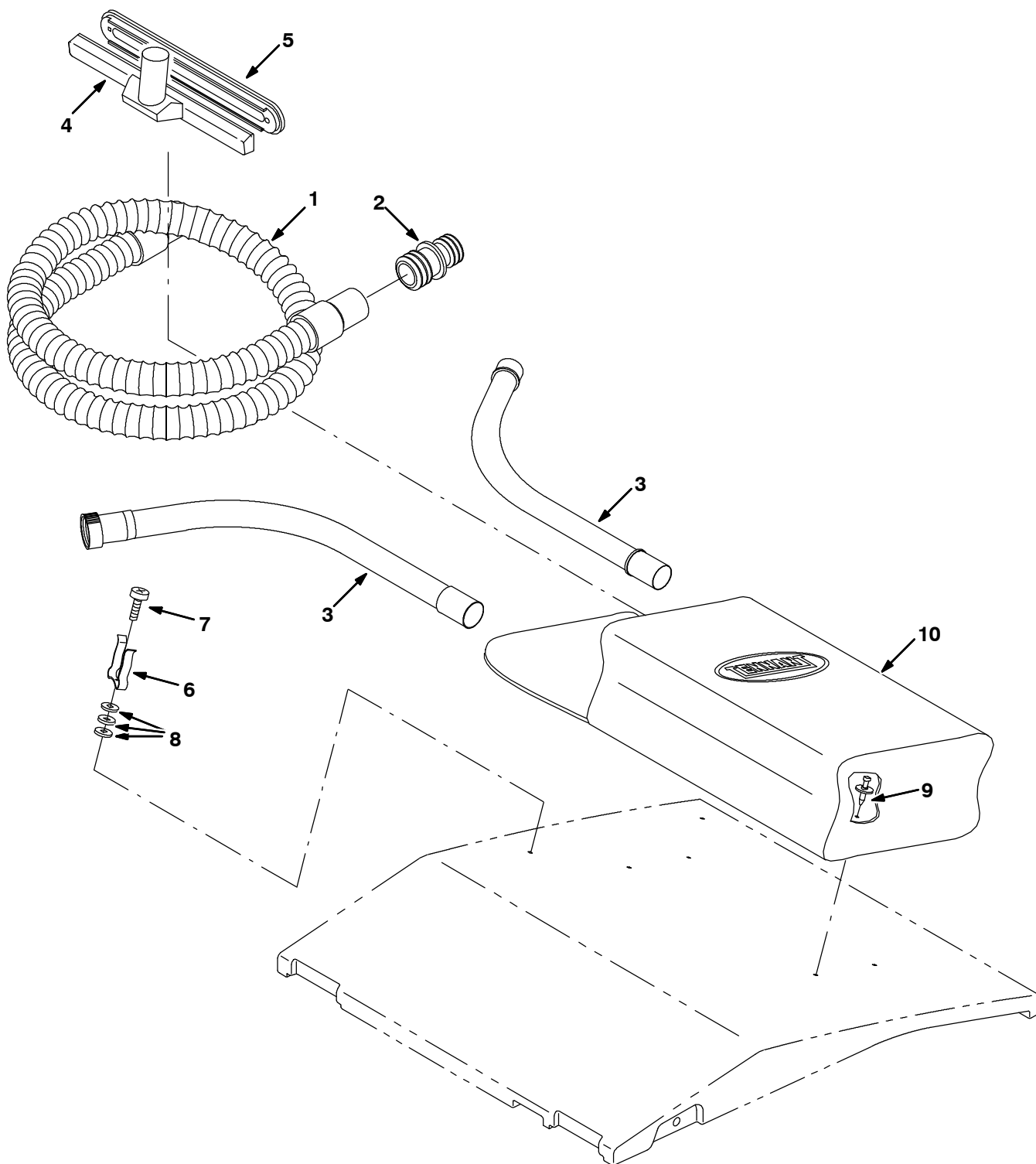


Fig. 50 - Vacuum Wand Kit

	Ref.	Tennant Part No.	Machine Serial Number	Description	Qty.
▽		387262	(000000-	) Kit, Ci, Vacuum Wand, [7300/8300]	1
▲	1	86767	(000000-	) Hose Assy, Pvc, W/ Cuff, 1.5d, 90.0l	1
▲	2	48609	(000000-	) Fitting, Plstc, Str, Bm24/Bm32	1
▲	3	63448	(000000-	) Tube, Wand, Vacuum, Metal	1
▲	4	63451	(000000-	) Nozzle, Wand, Plstc, 14.0lg	1
▲	5	63430	(000000-	) Shoe, Plstc, Sqge, 14inch	1
▲	6	67004	(000000-	) Clip, Finger Grip	2
▲	7	360943	(000000-	) Screw, Pan, #10-14X0.75, F/Plstc	2
▲	8	19064	(000000-	) Washer, Flt, #06	6
▲	9	72968	(000000-	) Rivet, Plstc, .250 X 0.898	4
▲	10	65580	(000000-	) Bag, Power	1

Fig. 51 - Max Pro 1200 Rear Squeegee Group

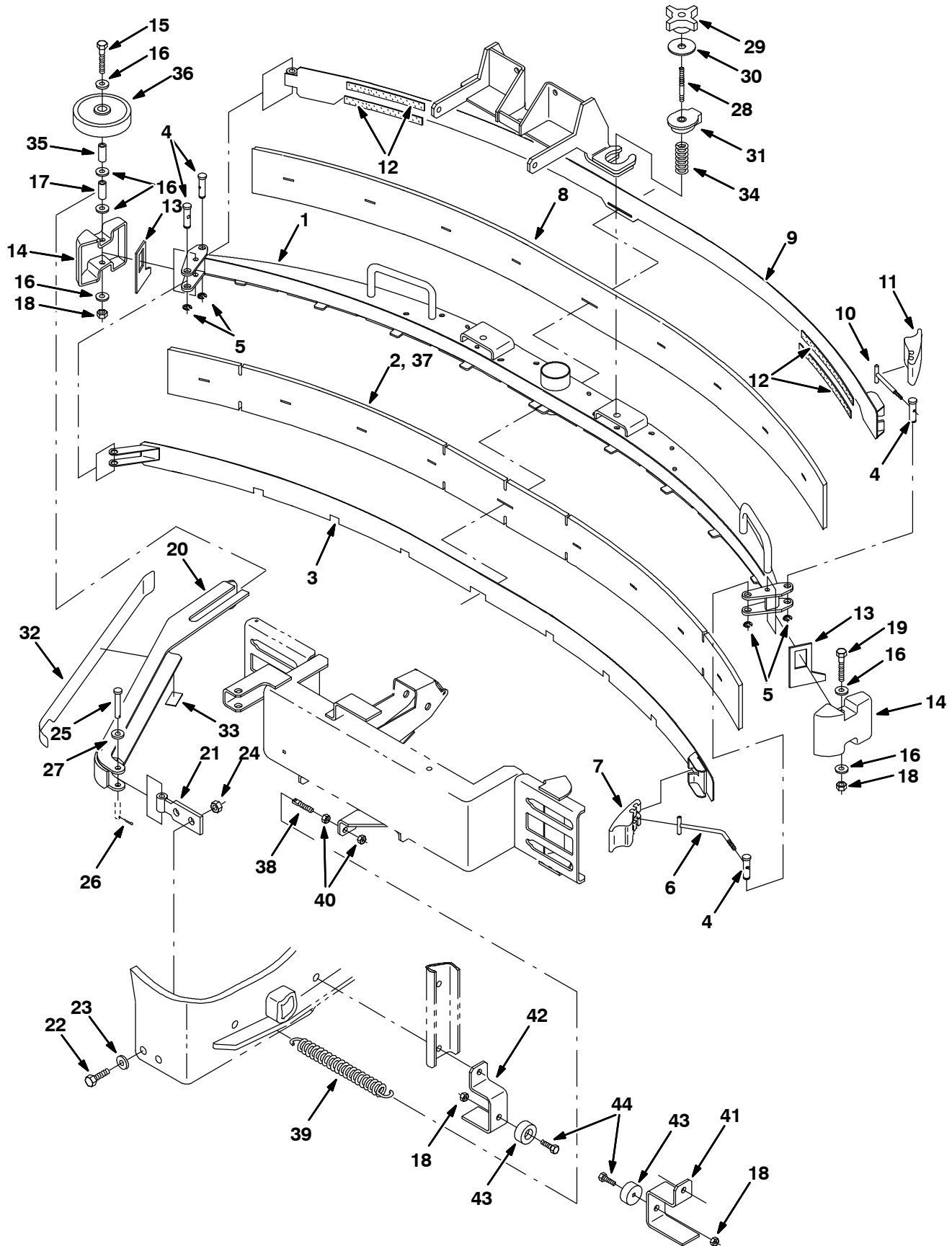


Fig. 51 - Max Pro 1200 Rear Squeegee Group

Ref.	Tennant Part No.	Machine Serial Number	Description	Qty.
▽	386861	(000000-	) Kit, Cl, Squeegee, Rear [Max Pro 1200]	1
▲	1 386520	(000000-	) Frame Wldt, Sqge 48.0l	1
▲	2 386833	(000000-	) Blade, Sqge, Front 48.0l	1
▲	3 386835	(000000-	) Clamp Wldt, Front 48.0l	1
▲	4 21603	(000000-	) Pin	4
▲	5 24555	(000000-	) Ring, Retaining, Ext	4
▲	6 386298	(000000-	) Pin Wldt, Front	1
▲	7 21601	(000000-	) Cam	1
▲	8 386834	(000000-	) Blade, Sqge, Rear 48.0l	1
▲	9 386836	(000000-	) Clamp Wldt, Rear 48.0l	1
▲	10 21606	(000000-	) Bar Wldt, Retainer, Sqge, Rear	1
▲	11 21602	(000000-	) Cam, Rear	1
▲	12 03495	(000000-	) Strip, Nonslip	4
▲	13 83874	(000000-	) Gasket, Sqge	2
▲	14 386264	(000000-	) Bumper, Sqge	2
▲	15 387431	(000000-	) Screw, Hex, M08 X 1.25 X 130 Ss	1
▲	16 01685	(000000-	) Washer, Flt, .31 Ss	5
▲	17 222497	(000000-	) Sleeve	1
▲	18 08713	(000000-	) Nut, Hex, Lock, M08 X 1.25,NI, Ss	4
▲	19 09767	(000000-	) Screw, Hex, M08 X 1.25 X 70, Ss	1
▲	20 387435	(000000-	) Channel Wldt	1
▲	21 386234	(000000-	) Pivot Wldt, Guard	1
▲	22 12309	(000000-	) Screw, Hex, M12 X 1.75 X 30, Ss	2
▲	23 41619	(000000-	) Washer, Flt, .50 Ss	2
▲	24 09741	(000000-	) Nut, Hex, Lock, M12 X 1.75,NI, Ss	2
▲	25 51813	(000000-	) Pin, Clevis, 0.37 D X 2.12l	1
▲	26 08179	(000000-	) Pin, Cotter, .094 X 1.00	1
▲	27 01686	(000000-	) Washer, Flt, .38 Ss	2
▲	28 387237	(000000-	) Stud, .31-18 2.75l M8 X 1.25, Ss	2
▲	29 370100	(000000-	) Knob, 4-Prong W/.31-18, Insert	2
▲	30 04414	(000000-	) Washer, 0.53b 1.88d .12, Stl, Pl	2
▲	31 387433	(000000-	) Ring, Mtg, Sqge, .50l	2
▲	32 387436	(000000-	) Bumper, Poly-E	1
▲	33 387438	(000000-	) Bumper, Poly-E	1
▲	34 387500	(000000-	) Spring, Cmpr, .87od .042wir 2.0l	2
▲	35 363301	(000000-	) Sleeve, 0.62d 0.34b 1.19l Bnz	1
▲	36 363162	(000000-	) Wheel, 4.0d 0.89w 0.64b	1
	37 387258	(000000-	) Blade, Sqge, Front, Mp1200, Tile	1
	38 386847	(000000-	) Bolt, Eye, M10x1.5 X 2.0 X .28 Eye	1
	39 71100	(000000-	) Spring, Extn, 1.69od X 0.20wir, 9.5l	1
	40 32716	(000000-	) Nut, Hex, Jam, M10 X 1.5, Ss	2
	41 387446	(000000-	) Channel, Stop, Lh	1
	42 387447	(000000-	) Channel, Stop, Rh	1
	43 364614	(000000-	) Bumper, Neo, 1.5d .63t .31h	2
	44 09010	(000000-	) Screw, Hex, M08 X 1.25 X 25, Ss	2

# OPTIONS

Fig. 52 - Max Pro 1200 Rear Squeegee Group (For Vacuumized Side Squeegee)

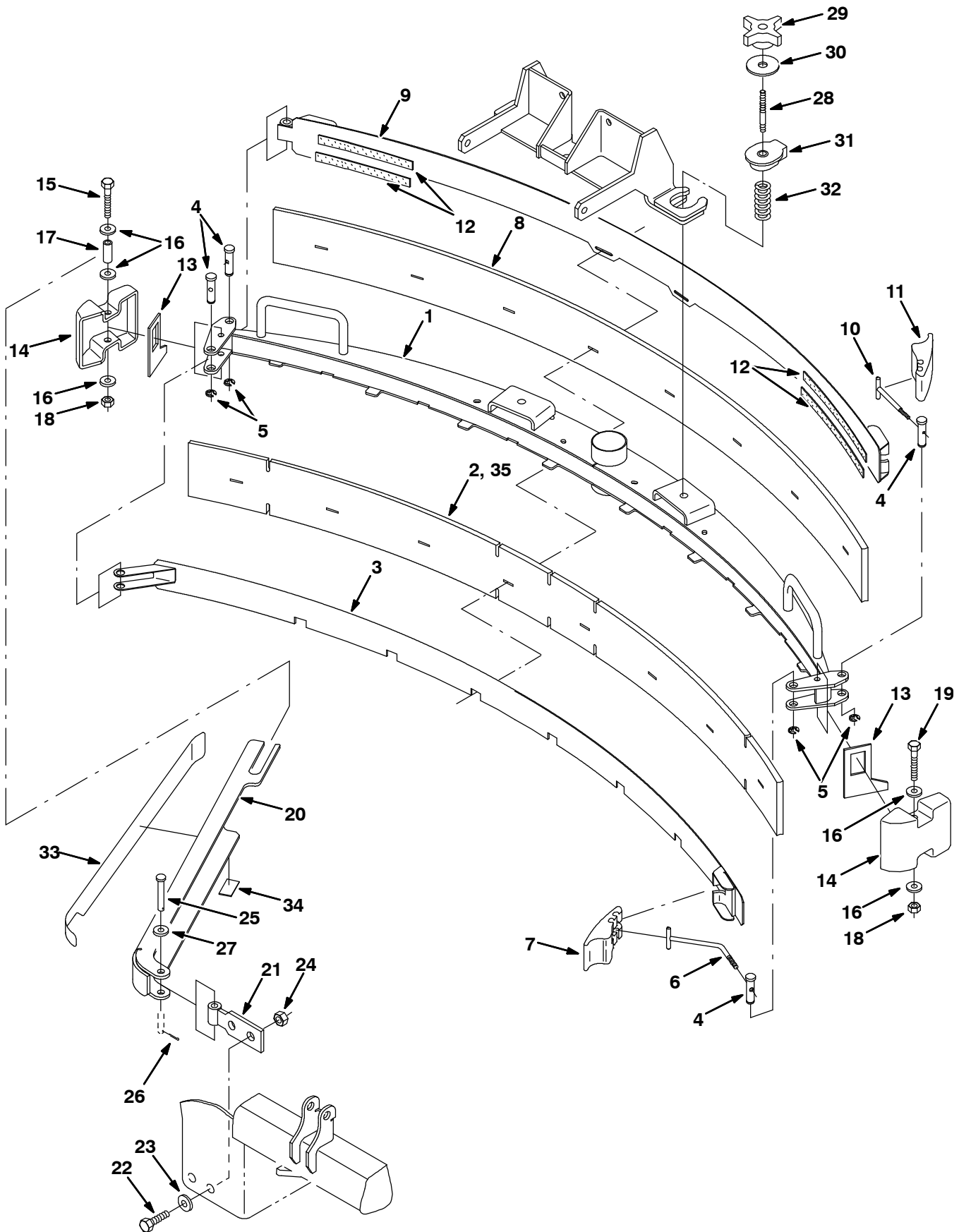
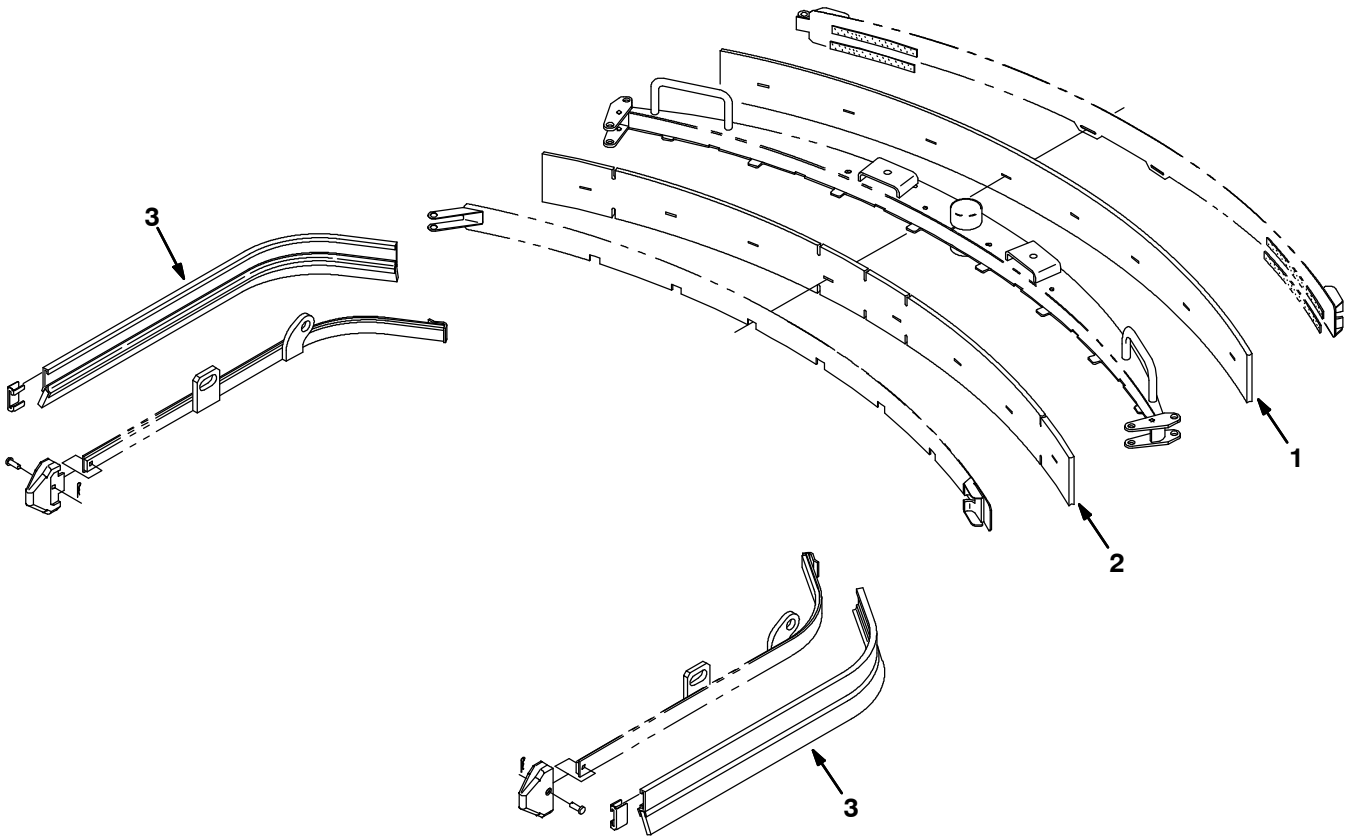


Fig. 52 - Max Pro 1200 Rear Squeegee Group (For Vacuumized Side Squeegee)

Ref.	Tennant Part No.	Machine Serial Number	Description	Qty.
▽	386860	(000000-	) Kit, Cl, Squeegee, Rear (Max Pro™ 1000)	1
▲	1 386290	(000000-	) Frame Wldt, Sqge	1
▲	2 386283	(000000-	) Blade, Sqge, Front	1
▲	3 386285	(000000-	) Clamp Wldt, Front	1
▲	4 21603	(000000-	) Pin	4
▲	5 24555	(000000-	) Ring, Retaining, Ext	4
▲	6 386298	(000000-	) Pin Wldt, Front	1
▲	7 21601	(000000-	) Cam	1
▲	8 386284	(000000-	) Blade, Sqge, Rear	1
▲	9 386286	(000000-	) Clamp Wldt, Rear	1
▲	10 21606	(000000-	) Bar Wldt, Retainer, Sqge, Rear	1
▲	11 21602	(000000-	) Cam, Rear	1
▲	12 03495	(000000-	) Strip, Nonslip	4
▲	13 83874	(000000-	) Gasket, Sqge	2
▲	14 386264	(000000-	) Bumper, Sqge	2
▲	15 386299	(000000-	) Screw, Hex, M08 X 1.25 X 100, Ss	1
▲	16 01685	(000000-	) Washer, Flt, .31 Ss	5
▲	17 222497	(000000-	) Sleeve	1
▲	18 08713	(000000-	) Nut, Hex, Lock, M08 X 1.25,NI, Ss	2
▲	19 09767	(000000-	) Screw, Hex, M08 X 1.25 X 70, Ss	1
▲	20 386266	(000000-	) Channel Wldt	1
▲	21 386234	(000000-	) Pivot Wldt, Guard	1
▲	22 12309	(000000-	) Screw, Hex, M12 X 1.75 X 30, Ss	2
▲	23 41619	(000000-	) Washer, Flt, .50 Ss	2
▲	24 09741	(000000-	) Nut, Hex, Lock, M12 X 1.75,NI, Ss	2
▲	25 1039190	(000000-	) Pin, Clevis, 0.25d X 2.00l	1
▲	26 08178	(000000-	) Pin, Cotter, .062 X 0.75	1
▲	27 01684	(000000-	) Washer, Flt, .25 Ss	2
▲	28 387237	(000000-	) Stud, .31-18 2.75l M8 X 1.25, Ss	2
▲	29 370100	(000000-	) Knob, 4-Prong W/.31-18, Insert	2
▲	30 04414	(000000-	) Washer, 0.53b 1.88d .12, Stl, Pl	2
▲	31 387433	(000000-	) Ring, Mtg, Sqge, .50l	2
▲	32 387500	(000000-	) Spring, Cmpr, .87od .042wir 2.0l	2
▲	33 387448	(000000-	) Bumper, Poly-E	1
▲	34 387438	(000000-	) Bumper, Poly-E	1
▲	35 387257	(000000-	) Blade, Sqge, Front, Mp1000, Tile	1

**Fig. 53 - Max Pro 1000 Urethane Squeegee Kit**

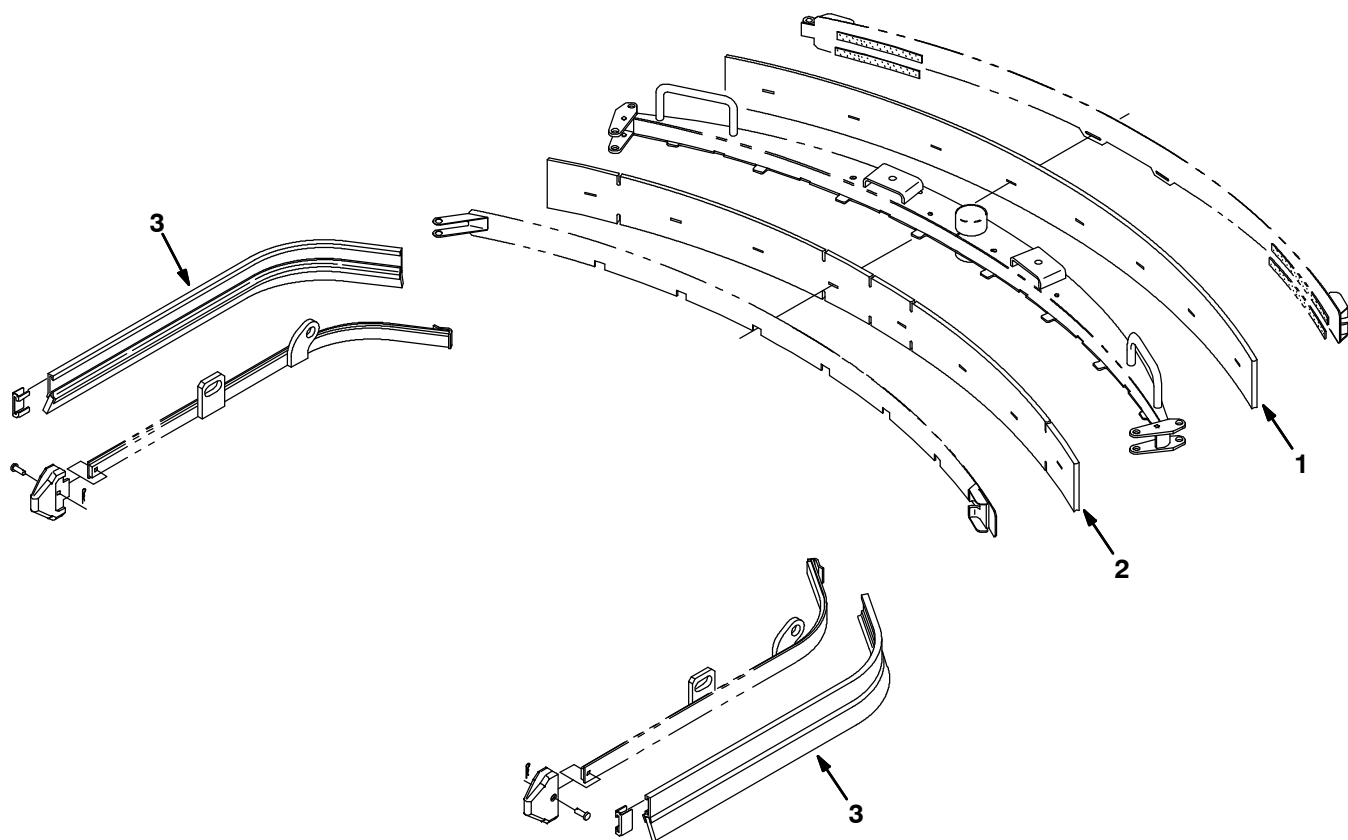


354351

Ref.	Tenant Part No.	Machine Serial Number	Description	Qty.
▽	9001397	(000000-	) Blade Kit, Sqge, Ure, [Mp1000]	1
▲ 1	1022564	(000000-	) Blade, Sqge, Rear	1
▲ 2	1022565	(000000-	) Blade, Sqge, Front	1
▲ 3	1019344	(000000-	) Squeegee, Side, Ure, [7300/830]	2



Fig. 54 - Max Pro 1200 Urethane Squeegee Kit



354351

	Ref.	Tennant Part No.	Machine Serial Number	Description	Qty.
▽		9001398	(000000-	) Blade Kit, Sqge, Ure, [Mp1200]	1
▲	1	1022558	(000000-	) Blade, Sqge, Rear	1
▲	2	1022465	(000000-	) Blade, Sqge, Front	1
▲	3	1019344	(000000-	) Squeegee, Side, Ure, [7300/830]	2

Fig. 55 - Battery Rollout Kit

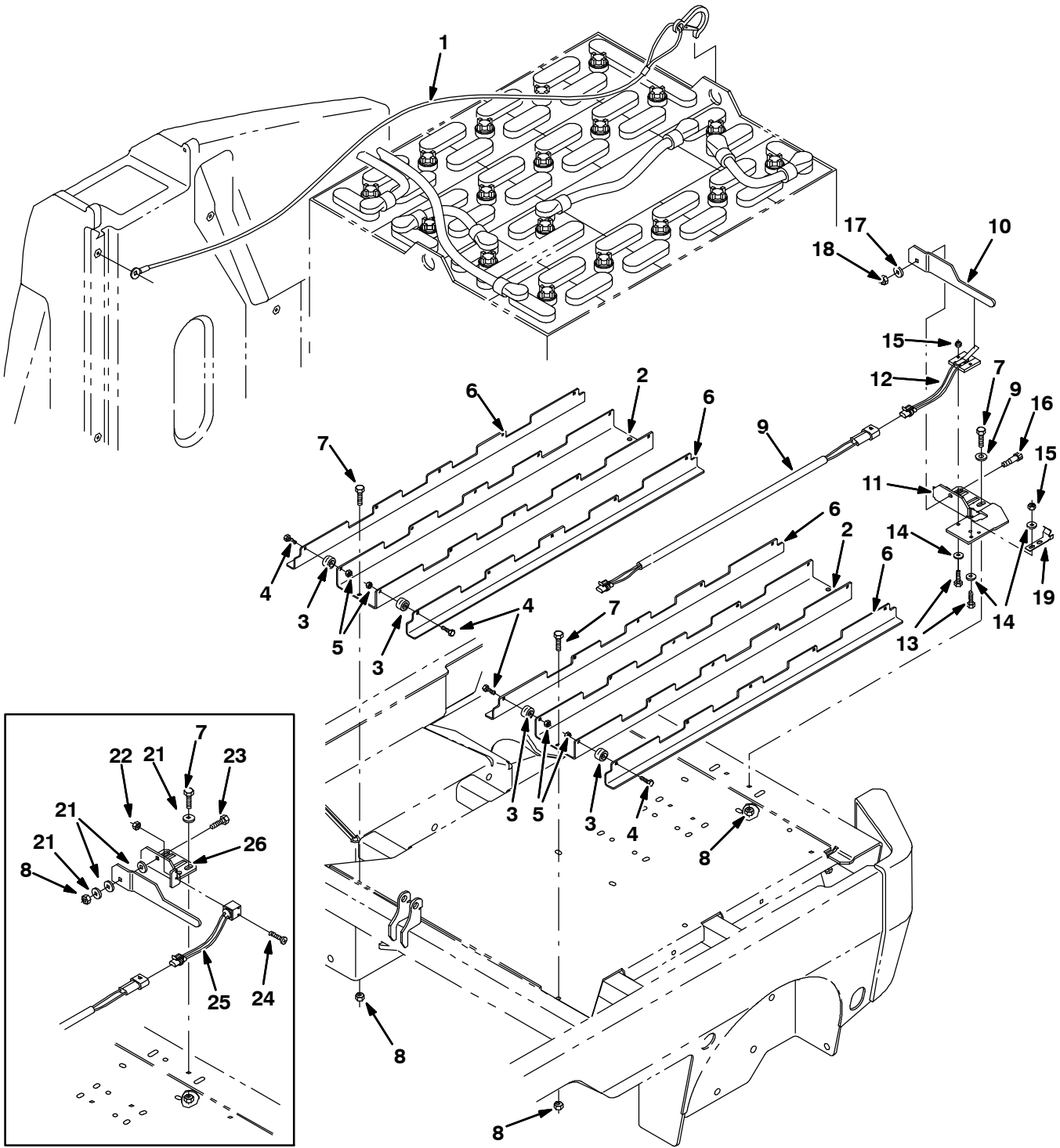
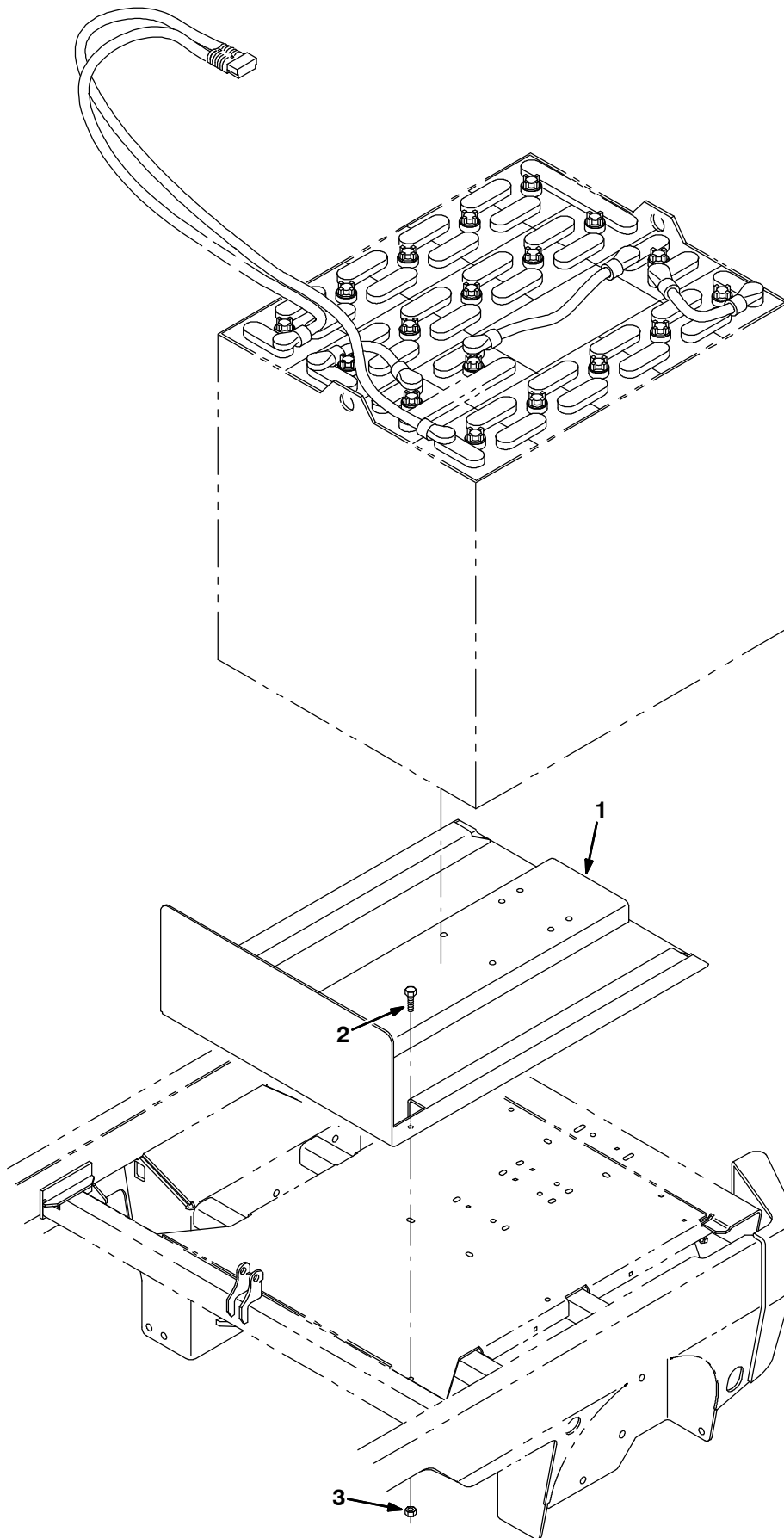


Fig. 55 - Battery Rollout Kit

Ref.	Tennant Part No.	Machine Serial Number	Description	Qty.
▽	387043	(000000-	) Kit, Ci, Battery, Rollout	1
▲	1 386968	(000000-	) Cable, Safety, Battery	1
▲	2 386953	(000000-	) Channel, Battery, R/O	2
▲	3 369415	(000000-	) Bearing, Needle, 0.25b 0.88d 0.50w	20
▲	4 07805	(000000-	) Screw, Hex, M06 X 1.0 X 35, Ss	20
▲	5 08712	(000000-	) Nut, Hex, Lock, M06 X 1.0, NI, Ss	20
▲	6 386952	(000000-	) Angle, Battery, R/O	4
▲	7 09740	(000000-	) Screw, Hex, M08 X 1.25 X 20, Ss	6
▲	8 08713	(000000-	) Nut, Hex, Lock, M08 X 1.25,NI, Ss	6
▲	9 386607	(000000-	) Harness, Battery, Rollout [7300/8300]	1
▲	10 386954	(000000-	) Bar Wldt, Battery, R/O	1
▲	11 1007129	(003685-	) Stop Wldt	1
▲	12 377341	(003685-	) Switch, Limit, No	1
▲	13 24199	(003685-	) Screw, Hex, M5 X 0.8 X 16, Ss	4
▲	14 01683	(003685-	) Washer, Flat, #10 Ss	6
▲	15 09739	(003685-	) Nut, Hex, Lock, M 5 X 0,8, NI, Ss	4
▲	16 02129	(003685-	) Bolt, Shld, .38DX0.38, .31-18	1
▲	17 39349	(003685-	) Washer, Flat, 0.31 Sae	1
▲	18 01760	(003685-	) Nut, Hex, Lock, .31-18, NI, Thin	1
▲	19 1007107	(003685-	) Latch, Handle	1
▲	20 01685	(003685-	) Washer, Flat, 0.31 Ss	2
	21 01685	(000000-003684	) Washer, Flt, .31 Ss	5
	22 33932	(000000-003684	) Nut, Hex, Lock, M 4 X 0.7, NI Ss	5
	23 09023	(000000-003684	) Screw, Hex, M08 X 1.25 X 35, Ss	1
	24 09198	(000000-003684	) Screw, Pan, M04 X 0.7 X 35, Ss	2
	25 387027	(000000-003684	) Switch, No (Replaced by 398454)	1
	26 387441	(000000-003684	) Stop Wldt (Replaced by 398454)	1

Fig. 56 - Battery Forklift Kit



**Fig. 56 - Battery Forklift Kit**

	<b>Ref.</b>	<b>Tennant Part No.</b>	<b>Machine Serial Number</b>	<b>Description</b>	<b>Qty.</b>
▽		387000	(000000-	) Kit, Ci, Fork Lift, Battery	1
▲	1	386632	(000000-	) Cradle Wldt, Battery	1
▲	2	09740	(000000-	) Screw, Hex, M08 X 1.25 X 20, Ss	4
▲	3	08713	(000000-	) Nut, Hex, Lock, M08 X 1.25,NI, Ss	4

Fig. 57 - Battery Kit, 500AH Wet

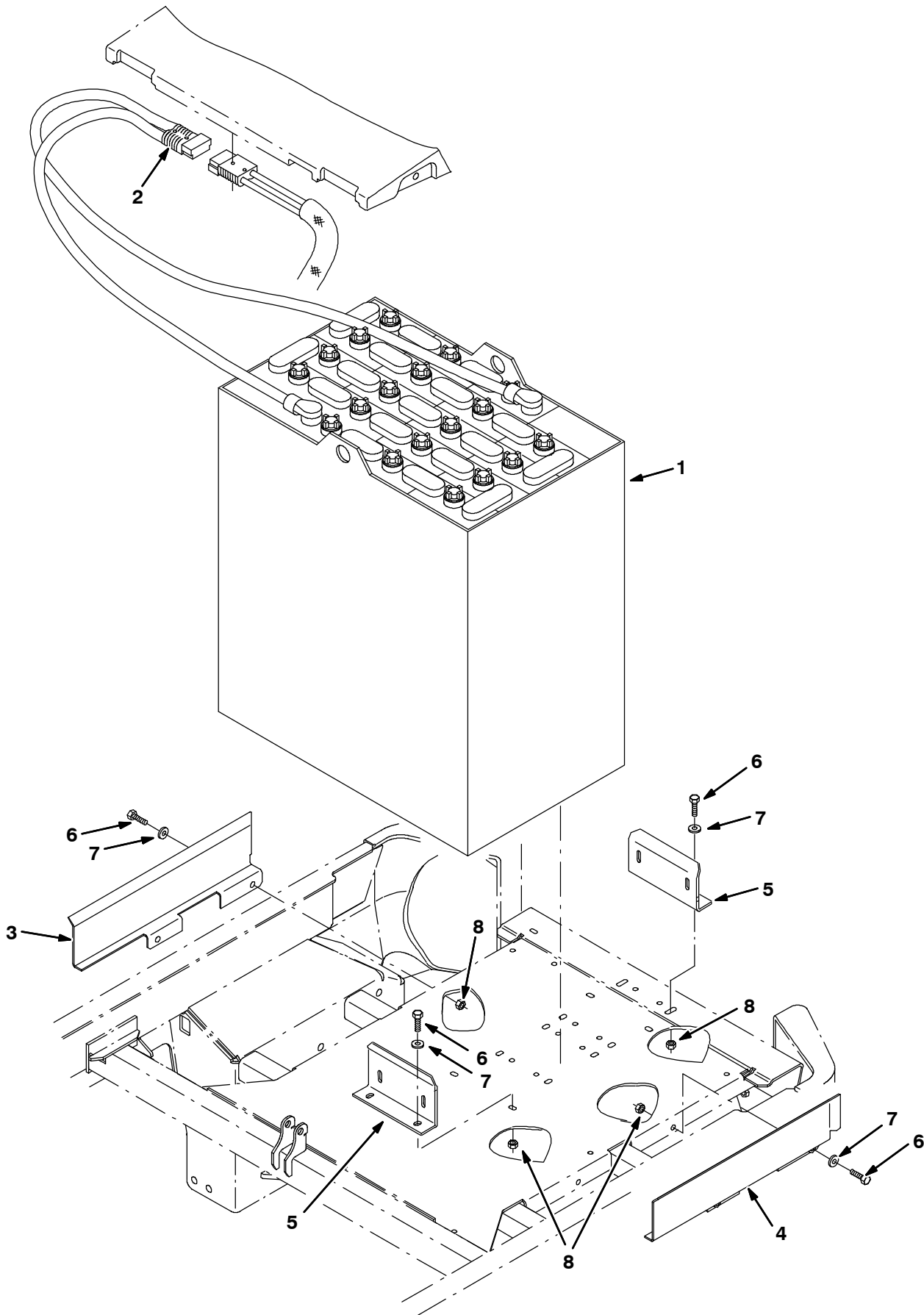
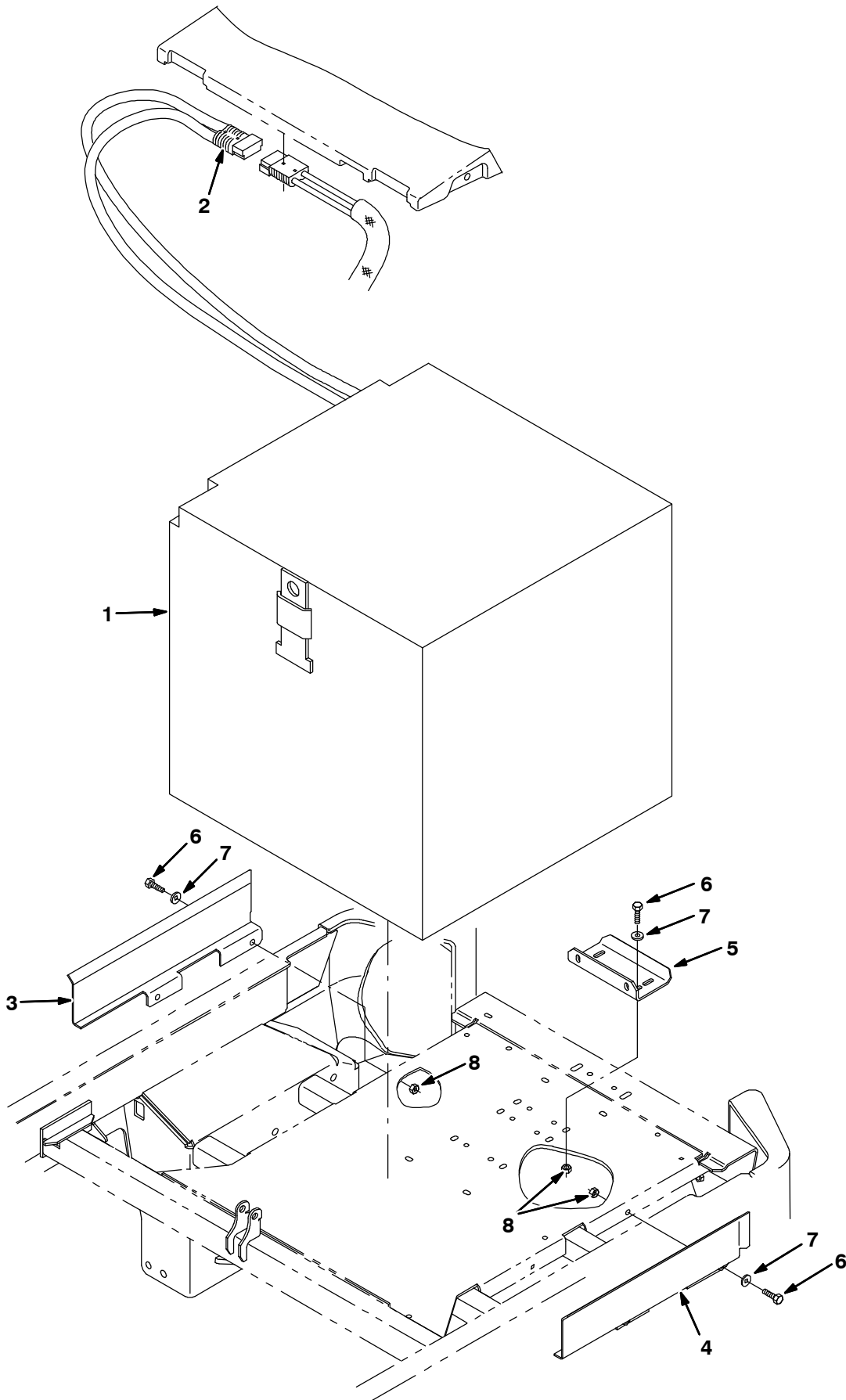


Fig. 57 - Battery Kit, 500AH Wet

	Ref.	Tennant Part No.	Machine Serial Number	Description	Qty.
▽		386932	(000000-	) Battery Kit, Wet, 36vdc 0500ah, Ci	1
▲▽	1	386335	(000000-	) Battery, Wet, 36vdc 0500ah	1
▲▲	2	01726	(000000-	) Connector, 350a, Gray [Anderson]	1
▲	3	386675	(000000-	) Spacer, Battery, Rh	1
▲	4	386676	(000000-	) Spacer, Battery, Lh	1
▲	5	386575	(000000-	) Spacer, Battery, Rear	2
▲	6	09740	(000000-	) Screw, Hex, M8 X 1.25 X 20, Ss	8
▲	7	01685	(000000-	) Washer, Flat, 0.38b 0.88d .08, Ss	8
▲	8	08713	(000000-	) Nut, Hex, Lock, M8 X 1.25, NI, Ss	8

Fig. 58 - Battery Kit, 600AH

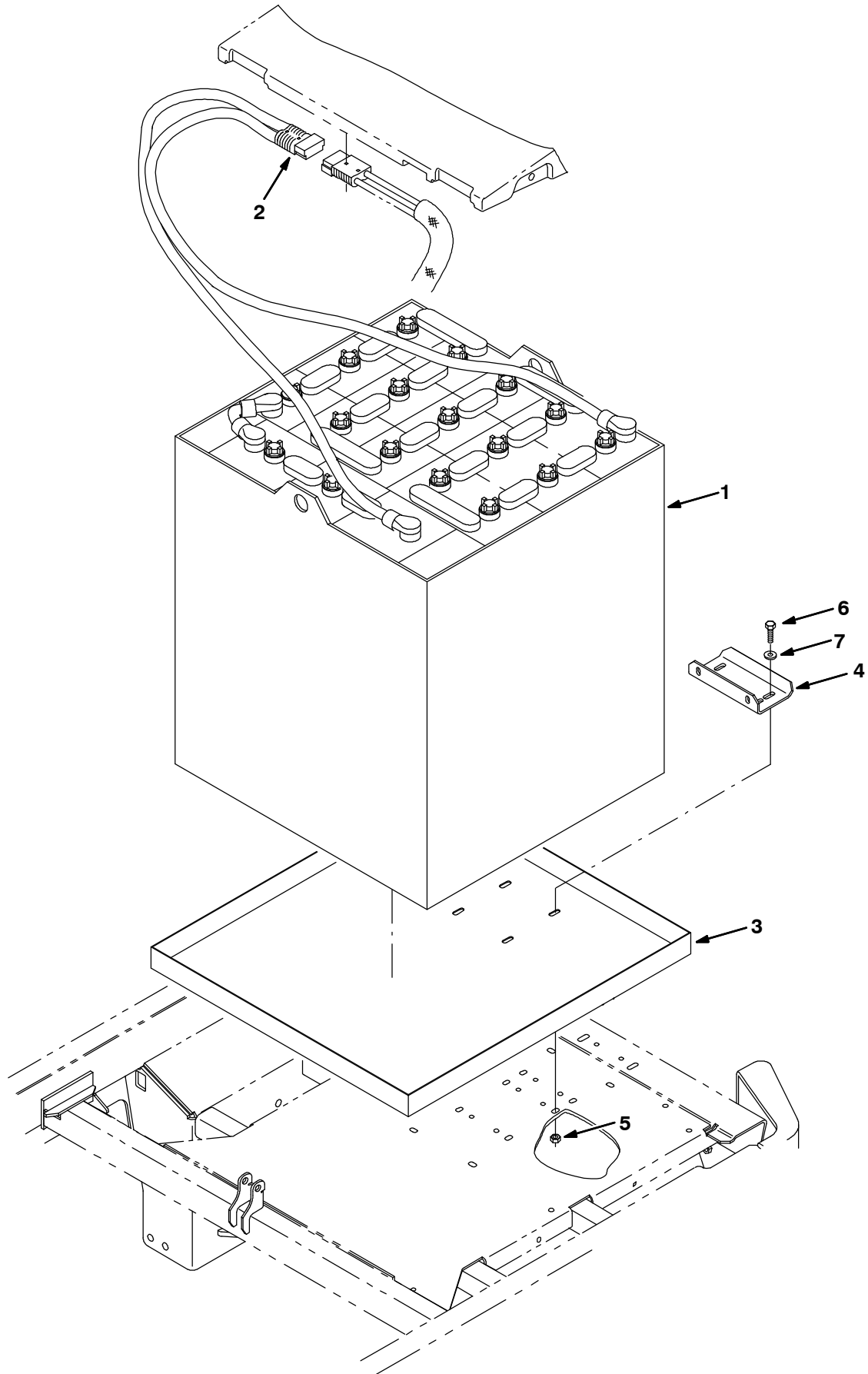




**Fig. 58 - Battery Kit, 600AH**

	<b>Ref.</b>	<b>Tennant Part No.</b>	<b>Machine Serial Number</b>	<b>Description</b>	<b>Qty.</b>
▽		386934	(000000-	) Kit, Ci, Battery, 36vdc, 600ah, Sealed	1
▲▽	1	386334	(000000-	) Battery, 36vdc, 600ah, Sealed	1
▲▲	2	01726	(000000-	) Connector, Anderson, 350A, Gray	1
▲	3	386573	(000000-	) Spacer, Battery, Rh	1
▲	4	386574	(000000-	) Spacer, Battery, Lh	1
▲	5	386575	(000000-	) Spacer, Battery, Rear	1
▲	6	09740	(000000-	) Screw, Hex, M08 X 1.25 X 20, Ss	6
▲	7	01685	(000000-	) Washer, Flt, .31 Ss	6
▲	8	08713	(000000-	) Nut, Hex, Lock, M08 X 1.25,NI, Ss	6

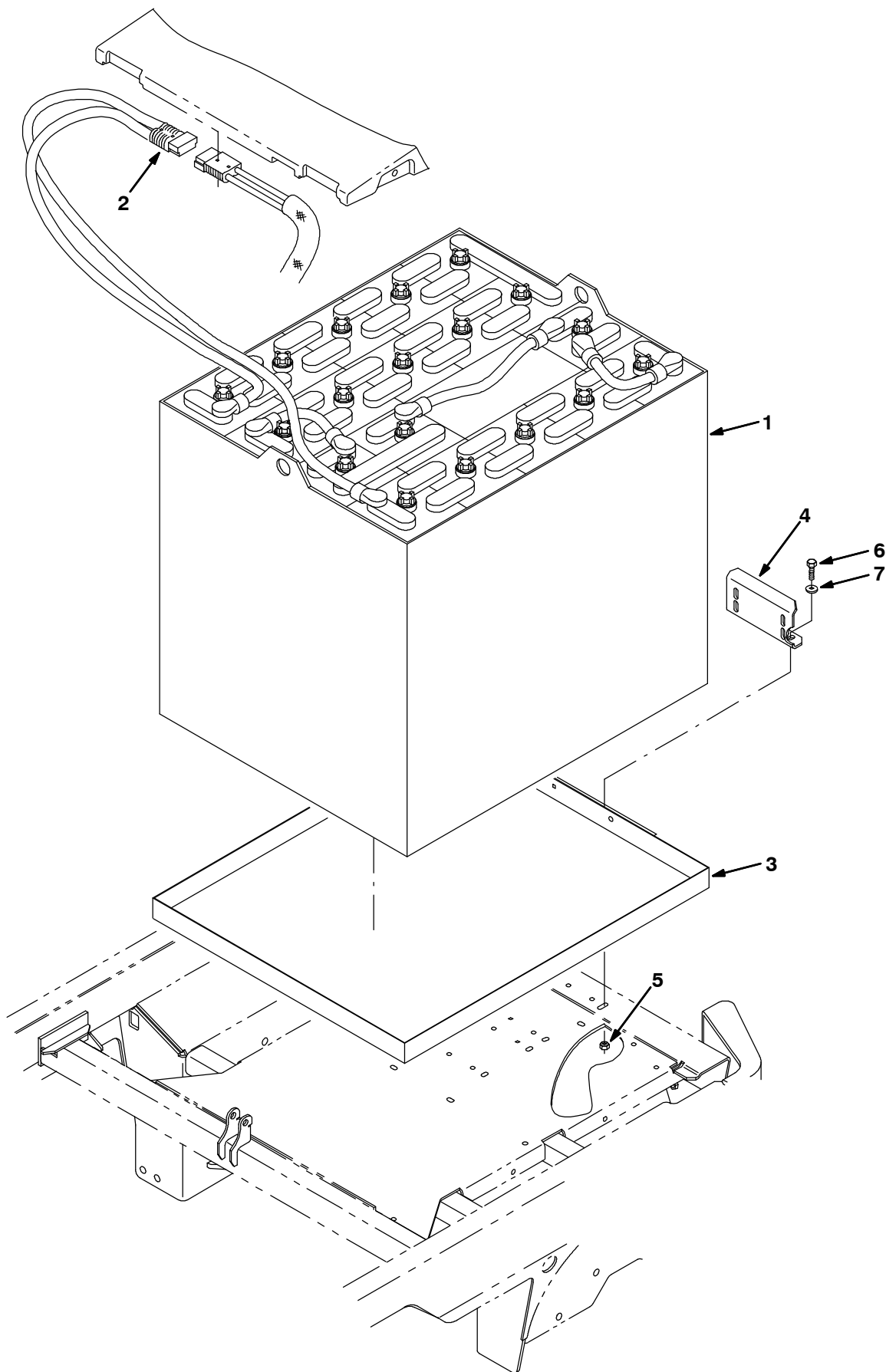
Fig. 59 - Battery Kit, 750AH Wet



**Fig. 59 - Battery Kit, 750AH Wet**

	<b>Ref.</b>	<b>Tennant Part No.</b>	<b>Machine Serial Number</b>	<b>Description</b>	<b>Qty.</b>
▽		386936	(000000-	) Kit, Ci, Battery, 36vdc, 750ah, Wet	1
▲▽	1	386336	(000000-	) Battery, 36vdc 750ah Wet	1
▲▲	2	01726	(000000-	) Connector, Anderson, 350A, Gray	1
▲	3	387622	(000000-	) Tray Wldt, Battery, 500ah, 750ah	1
▲	4	386575	(000000-	) Spacer, Battery, Rear	1
▲	5	08713	(000000-	) Nut, Hex, Lock, M08 X 1.25,NI, Ss	2
▲	6	09740	(000000-	) Screw, Hex, M08 X 1.25 X 20, Ss	2
▲	7	01685	(000000-	) Washer, Flt, .31 Ss	2

Fig. 60 - Battery Kit, 1000AH Wet

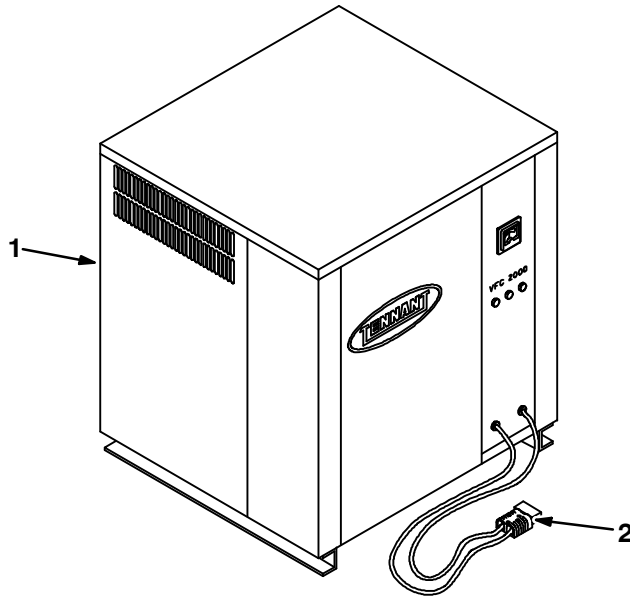


**Fig. 60 - Battery Kit, 1000AH Wet**

	<b>Ref.</b>	<b>Tennant Part No.</b>	<b>Machine Serial Number</b>	<b>Description</b>	<b>Qty.</b>
▽		386939	(000000-	) Kit, Ci, Battery, 36vdc, 1000Ah, Wet	1
▲▽	1	386337	(000000-	) Battery, 36vdc 1000Ah Wet	1
▲▲	2	01726	(000000-	) Connector, Anderson, 350A, Gray	1
▲	3	387623	(000000-	) Tray Wldt, Battery, 1000ah	1
▲	4	386575	(000000-	) Spacer, Battery, Rear	1
▲	6	09740	(000000-	) Screw, Hex, M08 X 1.25 X 20, Ss	6
▲	7	01685	(000000-	) Washer, Flt, .31 Ss	6
▲	5	08713	(000000-	) Nut, Hex, Lock, M08 X 1.25,NI, Ss	6

# OPTIONS

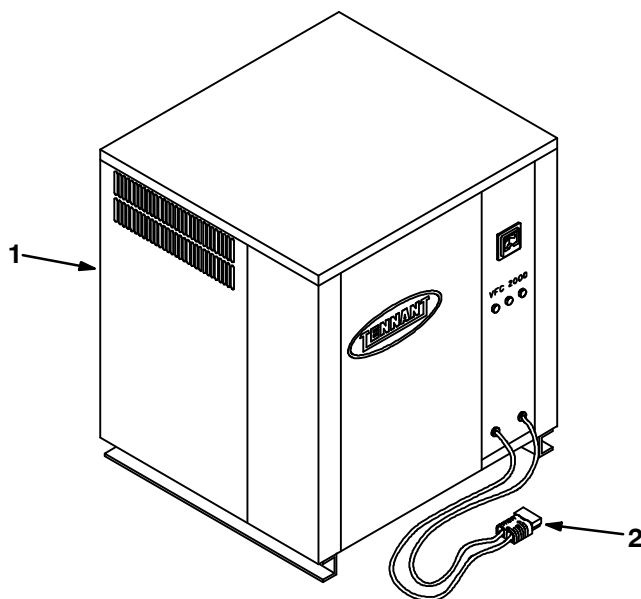
Fig. 61 - Battery Charger Group, 120A, 36V, 60Hz 1Ph (500Ah Batteries)



06051 - NA

	Ref.	Tenant Part No.	Machine Serial Number	Description	Qty.
▽	1	398285	(000000-	) Charger, 36V/120A 60H/1Ph 480V	1
▲	2	01726	(000000-	) Connector, Andersn 350A, Gray	1

Fig. 62 - Battery Charger Group, 120A, 36V, 60Hz 3Ph (500Ah Batteries)

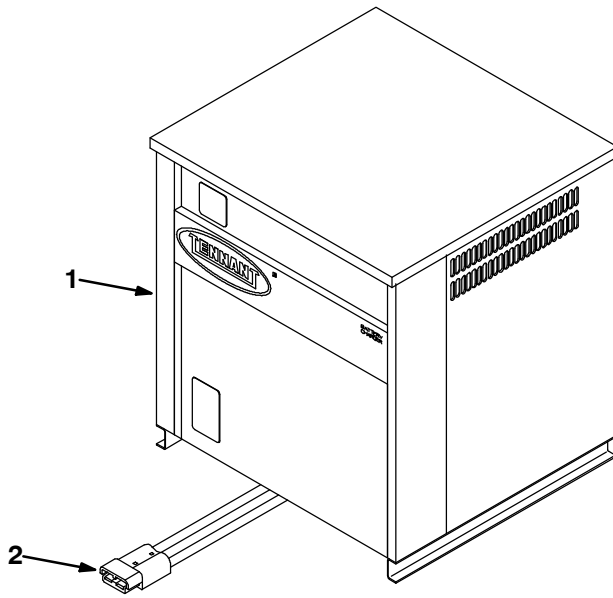


06051 - NA

	Ref.	Tennant Part No.	Machine Serial Number	Description	Qty.
▽	1	398288	(000000-	) Charger, 36V/120A 60H/3Ph 480V	1
▲	2	01726	(000000-	) Connector, Andersn 350A,Gray	1

# OPTIONS

Fig. 63 - Battery Charger Group, 150A, 36V, 60Hz (750Ah Batteries)

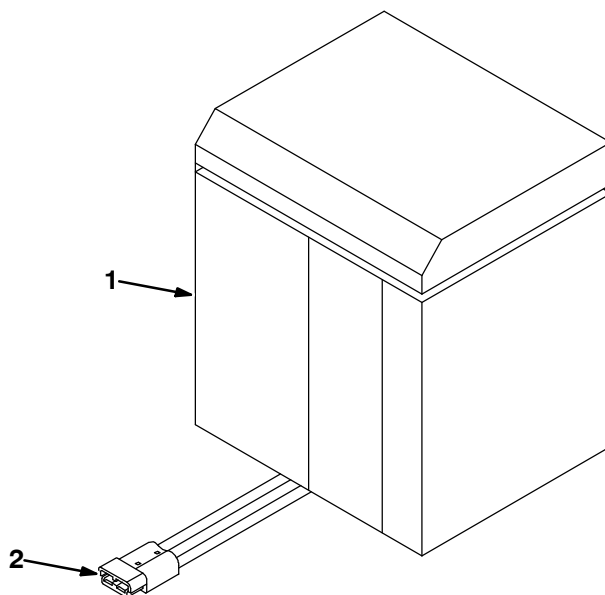


353369 - NA

	Ref.	Tennant Part No.	Machine Serial Number	Description	Qty.
▽	1	398292	(000000-	) Charger, 36V/150A 60Hz	1
▲	2	01726	(000000-	) Connector, Anderson, 350A, Gray	1



Fig. 64 - Battery Charger Group, 93A, 36V, 60Hz 1Ph (600Ah Batteries)

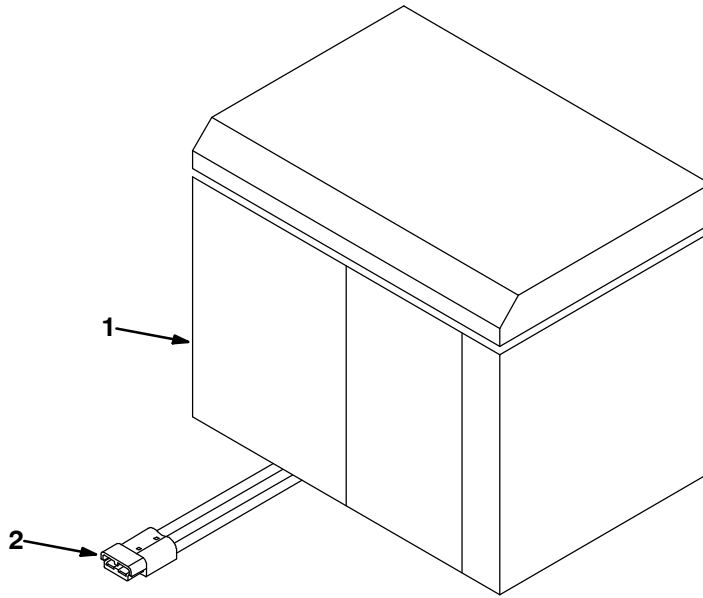


353369 - NA

	Ref.	Tennant Part No.	Machine Serial Number	Description	Qty.
▽	1	386338	(000000-	) Charger, 36V/93A 60Hz, 1Ph, Sealed	1
▲	2	01726	(000000-	) Connector, Anderson, 350A, Gray	1

# OPTIONS

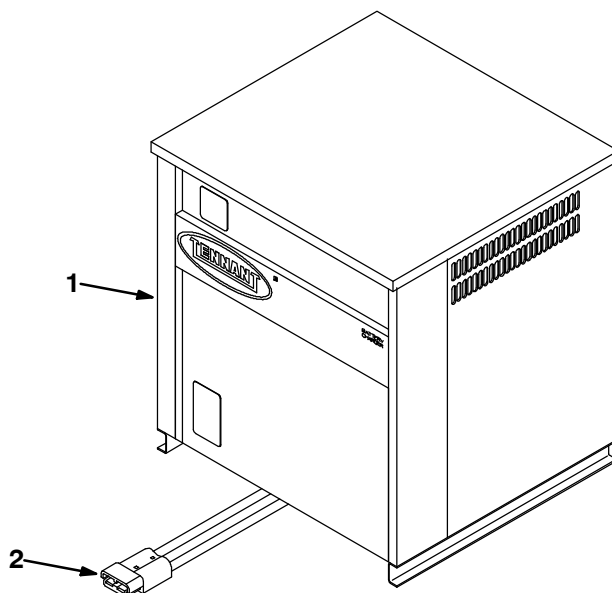
**Fig. 65 - Battery Charger Group, 93A, 36V, 60Hz 3Ph (600Ah Batteries)**



353369 - NA

	Ref.	Tennant Part No.	Machine Serial Number	Description	Qty.
▽	1	386344	(000000-	) Charger, 36V/93A 60Hz, 3Ph, Sealed	1
▲	2	01726	(000000-	) Connector, Anderson, 350A, Gray	1

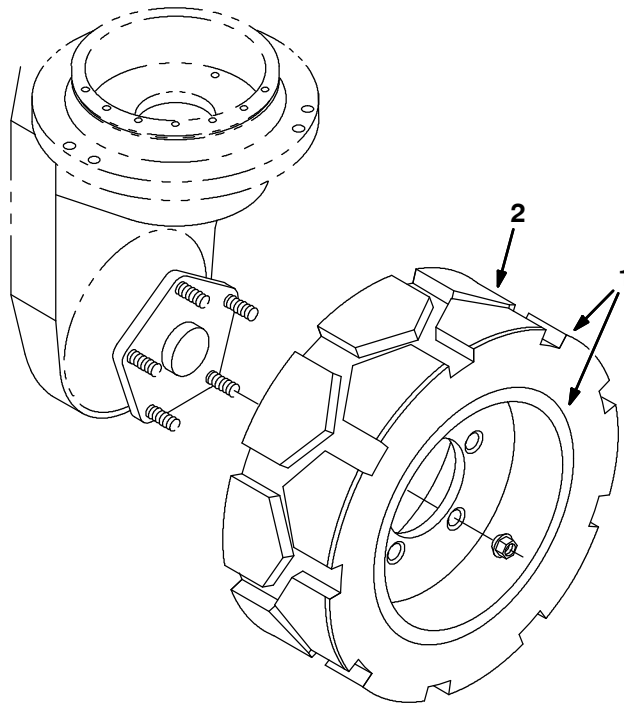
Fig. 66 - Battery Charger Group, 210A, 36V, 60Hz, 3Ph (1000 Ah Batteries)



353369 - 8300, NA

	Ref.	Tennant Part No.	Machine Serial Number	Description	Qty.
▽	1	398291	(000000-	) Charger, 36V, 210A, 60Hz, 3Ph	1
▲	2	01726	(000000-	) Connector, Anderson, 350A, Gray	1

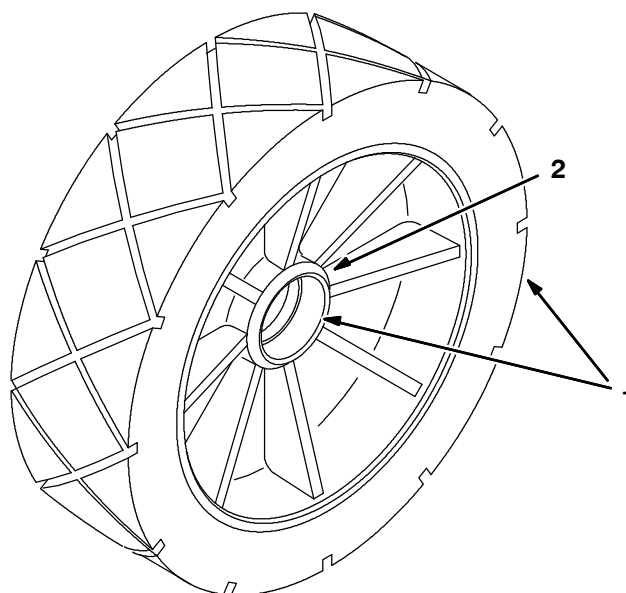
**Fig. 67 - Tire, Non-Mark, Non-Skid, Front Drive**



353308-1 - NA

	<b>Ref.</b>	<b>Tennant Part No.</b>	<b>Machine Serial Number</b>	<b>Description</b>	<b>Qty.</b>
▽	1	48591	(000000- )	Tire Assy, Solid, 16.3x6.0 5.7bc/5bolt	1
▲	2	48589	(000000- )	Tire, Non-Skid 16.25x6x11.25	1

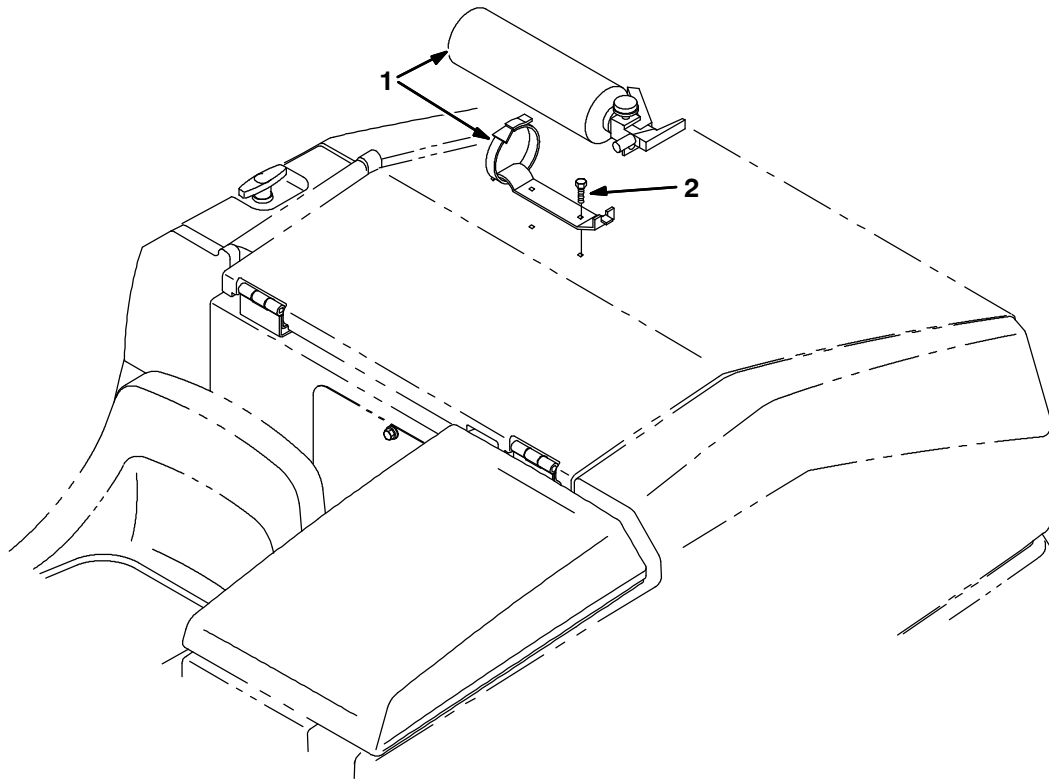
Fig. 68 - Non-Mark, Non-Skid Tire, Rear



353369 - NA

	Ref.	Tennant Part No.	Machine Serial Number	Description	Qty.
▽	1	387015	(000000-	) Tire Assy, 16 X 5 X 12.12 Non-Skid	2
▲	2	51338	(000000-	) Bearing, Cup, 2.56D 0.55W	1

**Fig. 69 - Fire Extinguisher Kit**



353282 - NA

Ref.	Tennant Part No.	Machine Serial Number	Description	Qty.
▽	387457	(000000-	) Kit, Cl, Extinguisher, Fire, [7300/8300]	1
▲▽	1 25312	(000000-	) Extinguisher, Fire	1
▲▲	2 360973	(000000-	) Screw, Pan, #12-16 x 0.50, F/Plstc	2

**Fig. 70 - Documentation Group**

07501 - 8300, NA

<b>Ref.</b>	<b>Tennant Part No.</b>	<b>Machine Serial Number</b>	<b>Description</b>	<b>Qty.</b>
	330630	(000000-	) Manual Pkg, (8300 Ele Na)	1
	330631	(000000-	) Manual, Fiche, (8300 Ele)	1
	330635	(000000-	) Manual, Service, (8300 Ele Na)	1
	330632	(000000-	) Manual, Oprtr, (8300 Ele Es Na)	1
	330633	(000000-	) Manual, Oprtr, (8300 Ele Fr Na)	1
	387496	(000000-	) Video, Operator, Vhs, Ntsc [8300]	1
	1041885	(000000-	) Video, Oprtr, Training, Dvd [8300]	1
	9006257	(000000-	) Media, Cd-Rom, Training [ec-H2O TENNANT]	1





## SECTION 4

Contents	Page
Fig. 1 - Electric Motor Breakdown, 17363	4-2
Fig. 2 - Electric Motor Breakdown, 398520	4-4
Fig. 3 - Electric Motor Breakdown, 222409	4-6
Fig. 4 - Electric Motor Breakdown, 374201	4-7
Fig. 5 - Electric Motor Breakdown, 383709	4-8
Fig. 6 - Electric Motor Breakdown, 386050	4-9
Fig. 7 - Electric Motor Breakdown, 386679	4-10
Fig. 8 - Electric Motor Breakdown, 386811	4-11
Fig. 9 - Electric Motor Breakdown, 386687	4-12
Fig. 10 - Water Pump Breakdown, 387321	4-13
Fig. 11 - Metering Solution Pump Breakdown, 386364	4-14
Fig. 12 - Hydraulic Powerunit Breakdown, 368704	4-15
Fig. 13 - Hydraulic Motor Breakdown, 386703	4-16
Fig. 14 - Hydraulic Solenoid Valve Breakdown, 386705	4-17
Fig. 15 - Hydraulic Solenoid Valve Breakdown, 1049212	4-18
Fig. 16 - Steering Control Valve Breakdown, 373495	4-19
Fig. 17 - Electric Motor Breakdown, 387585	4-20
Fig. 18 - ec-H2O Solution Pump Breakdown, 1005866	4-21
Fig. 19 - ec-H2O Module Assembly Breakdown, 9006270	4-22
Fig. 20 - FaST Injector Assebmly Breakdown, 9006118	4-24

Fig. 1 - Electric Motor Breakdown, 17363

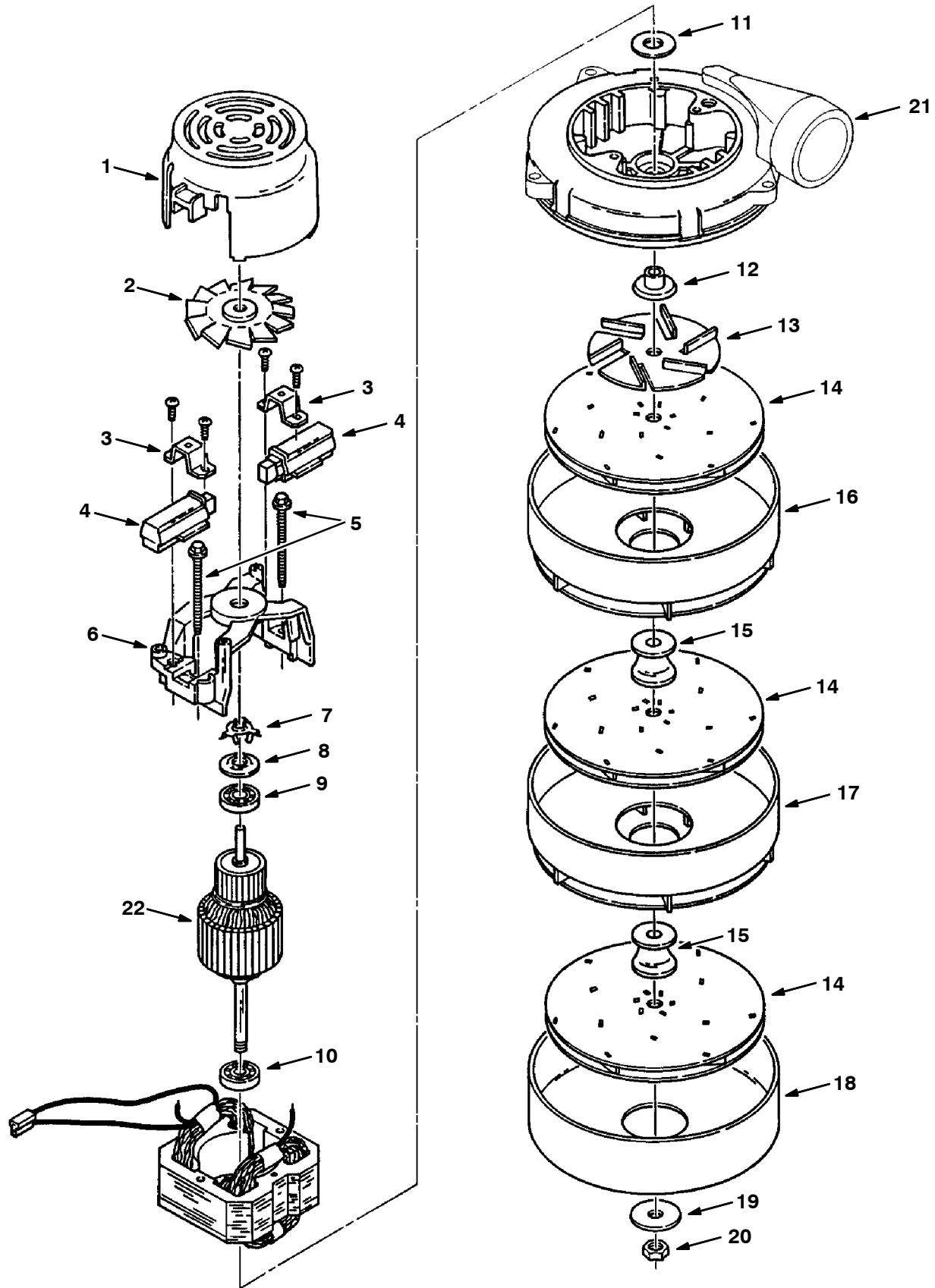


Fig. 1 - Electric Motor Breakdown, 17363

Ref.	Tenant Part No.	Machine Serial Number	Description	Qty.
▽	17363	(000000-	) Fan vacuum, 36v	1
▲	1 37926	(000000-	) Housing	1
▲	2 61298	(000000-	) Fan	1
▲	3 01982	(000000-	) Clamp	2
▲	4 11756	(000000-	) Brush mechanism	2
▲	5 01969	(000000-	) Screw	2
▲	6 01983	(000000-	) Comm. bracket	1
▲	7 01856	(000000-	) Spring, load	1
▲	8 37909	(000000-	) Disc	1
▲	9 01842	(000000-	) Bearing	1
▲	10 01837	(000000-	) Bearing	1
▲	11 37912	(000000-	) Washer, fl neo, 10.8x22x1.5	1
▲	12 18627	(000000-	) Spacer	1
▲	13 01971	(000000-	) Fan	1
▲	14 18628	(000000-	) Fan, rotating	3
▲	15 18630	(000000-	) Spacer	2
▲	16 61300	(000000-	) Fan, stationary	1
▲	17 61297	(000000-	) Fan, stationary	1
▲	18 61301	(000000-	) Shell	1
▲	19 378983	(000000-	) Washer	1
▲	20 37929	(000000-	) Nut	1
▲	10925	(000000-	) Connector, 2 conductor	1
▲	10926	(000000-	) Terminal, female	2
▲	21 60386	(000000-	) Bracket, far End	1
▲	22 21765	(000000-	) Armature	1

Fig. 2 - Electric Motor Breakdown, 398520

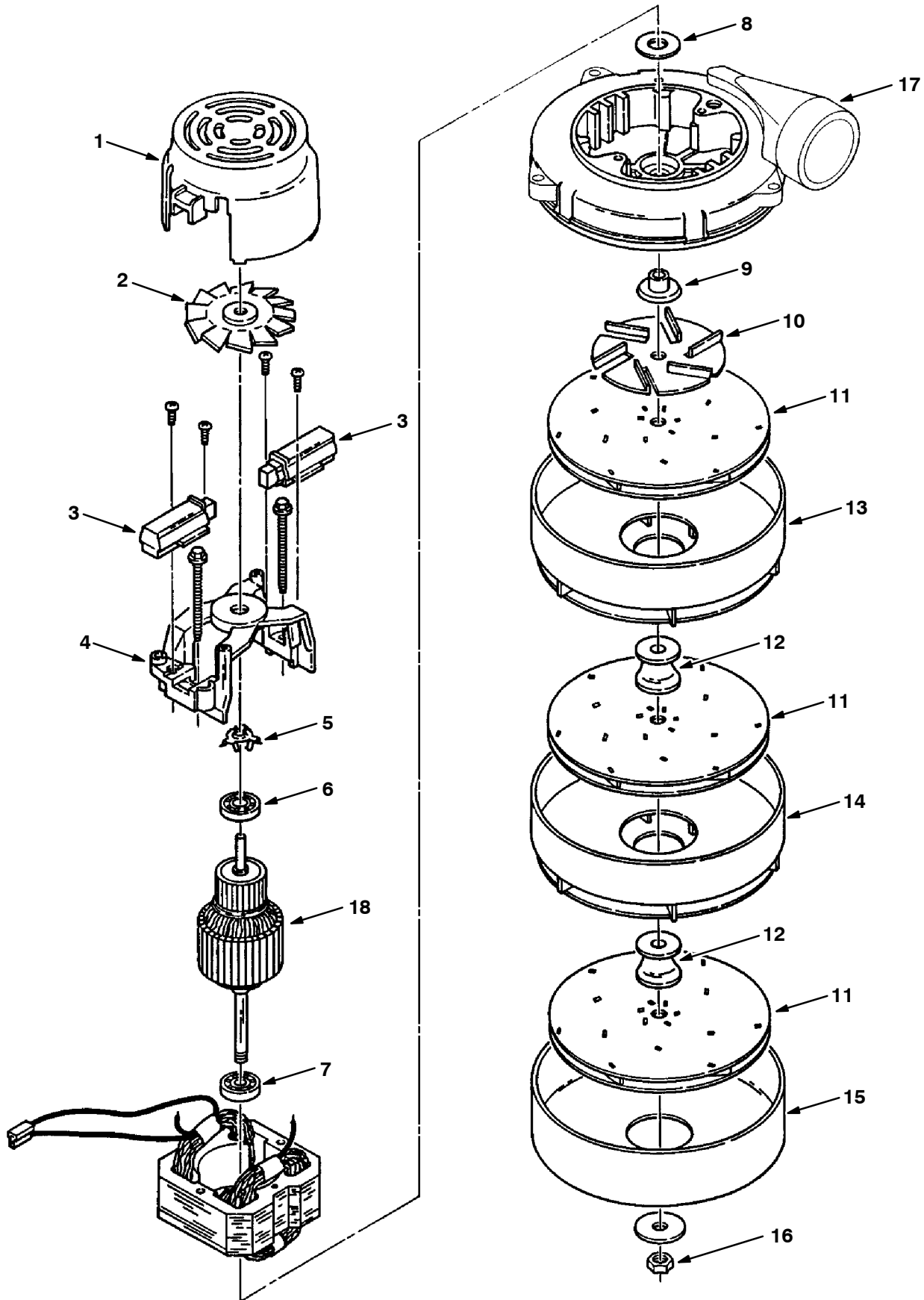
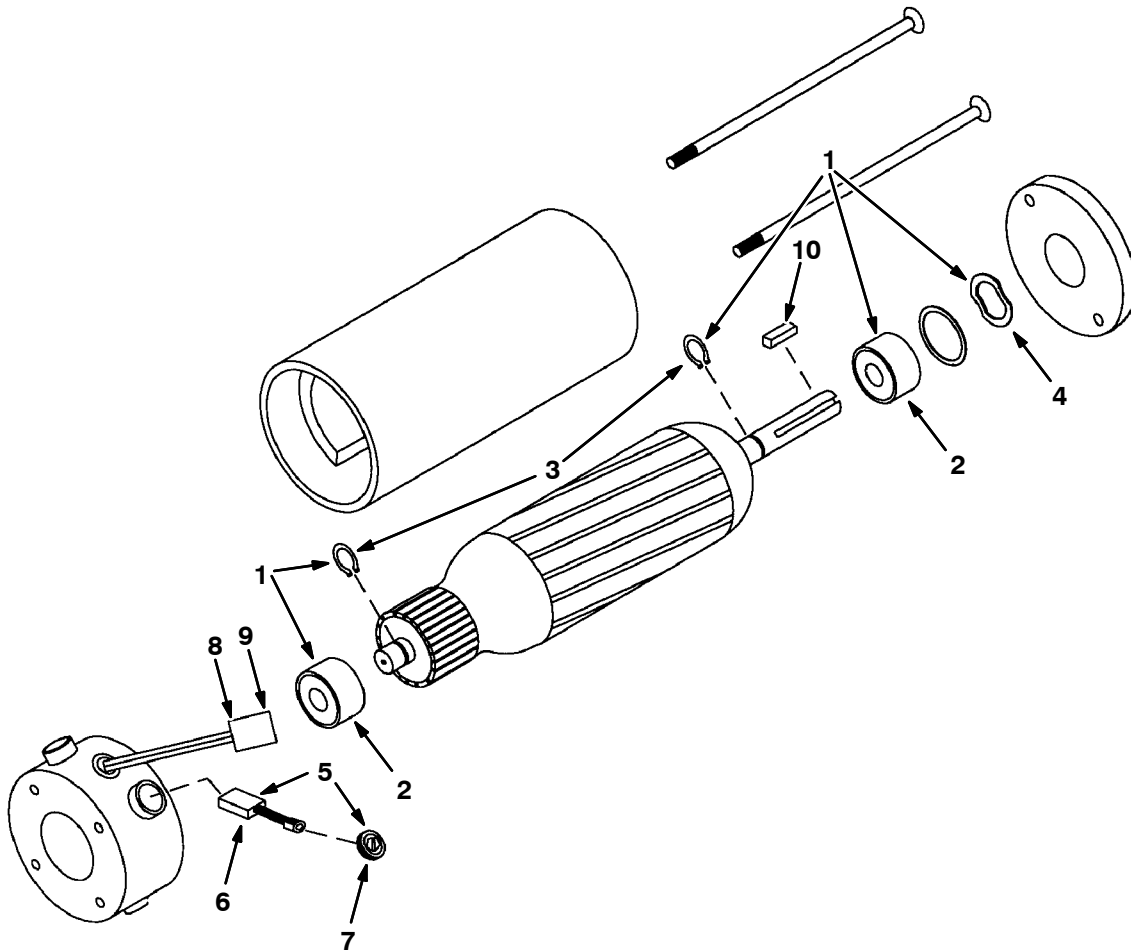


Fig. 2 - Electric Motor Breakdown, 398520

	Ref.	Tennant Part No.	Manufacturer Serial Number	Description	Qty.
▽		398520	(000000-	) Fan, Vacuum	1
▲	1	398511	(000000-	) Housing	1
▲	2	398512	(000000-	) Fan	1
▲	3	398513	(000000-	) Brush Mechanism	2
▲	4	398514	(000000-	) Comm. Bracket	1
▲	5	01856	(000000-	) Spring	1
▲	6	398515	(000000-	) Bearing	1
▲	7	01837	(000000-	) Bearing	1
▲	8	37912	(000000-	) Washer, Neo.	1
▲	9	398516	(000000-	) Spacer	1
▲	10	01971	(000000-	) Fan	1
▲	11	18628	(000000-	) Vacuum Fan	3
▲	12	398517	(000000-	) Spacer	2
▲	13	61300	(000000-	) Stationary Fan	1
▲	14	61297	(000000-	) Stationary Fan	1
▲	15	398518	(000000-	) Shell	1
▲	16	37929	(000000-	) Nut	1
▲	17	60386	(000000-	) Bracket, Fan End	1
▲	18	398519	(000000-	) Armature	1
▲		223264	(000000-	) Seal, Fan	1
▲		10925	(000000-	) Connector, 2 Conductor	1
▲		10926	(000000-	) Terminal, Female	2

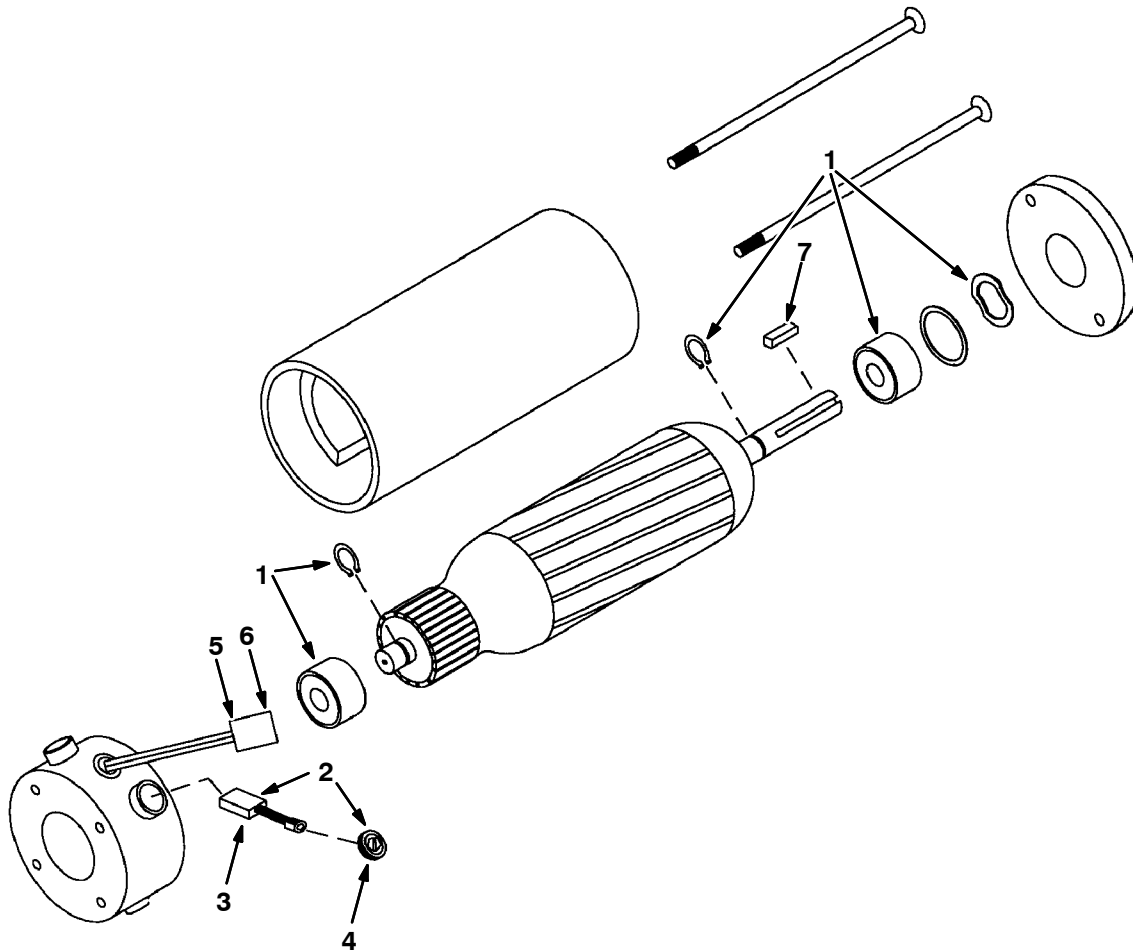
**Fig. 3 - Electric Motor Breakdown, 222409**



10426

Ref.	Tennant Part No.	Manufacturer Serial Number	Description	Qty.
▽	222409	(000000-	) Motor Assy,EE Vac Fan	1
▲▽	1 222623	(000000-	) Bearing Kit	1
▲▲	2 222635	(000000-	) Bearing	2
▲▲	3 222637	(000000-	) Snap Ring	2
▲▲	4 222638	(000000-	) Wavy Washer	1
▲▽	5 222625	(000000-	) Brush Kit	1
▲▲	6 222627	(000000-	) Brush&Spring Assy	4
▲▲	7 222629	(000000-	) Brush Holder Cap	4
▲	8 10925	(000000-	) Connector, 2 Conductor	1
▲	9 24537	(000000-	) Terminal, Female	2
▲	10 00912	(000000-	) Key, Square	1

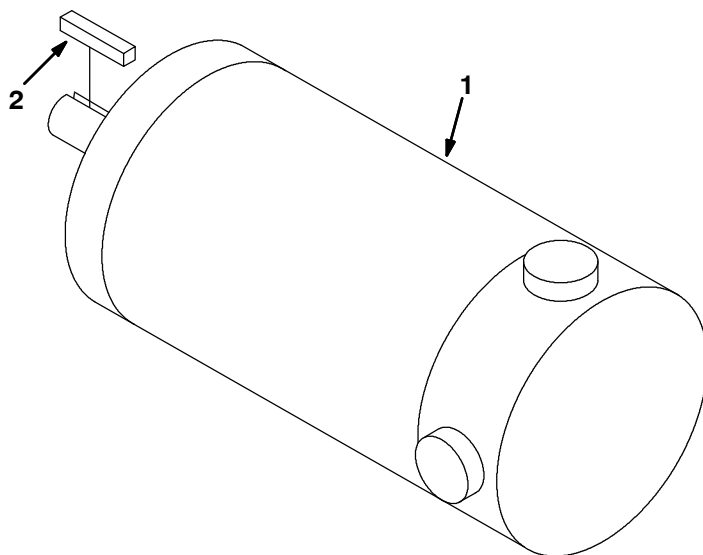
**Fig. 4 - Electric Motor Breakdown, 374201**



10426

Ref.	Tennant Part No.	Manufacturer Serial Number	Description	Qty.	
▽	374201	(000000-	) Motor Assy,EE Vac Fan	1	
▲	1	375176	(000000-	) Bearing Kit	1
▲▽	2	222625	(000000-	) Brush Kit	1
▲▲	3	222627	(000000-	) Brush&Spring Assy	4
▲▲	4	222629	(000000-	) Brush Holder Cap	4
▲	5	10925	(000000-	) Connector, 2 Conductor	1
▲	6	24537	(000000-	) Terminal, Female	2
▲	7	00912	(000000-	) Key, Square	1

**Fig. 5 - Electric Motor Breakdown, 383709**

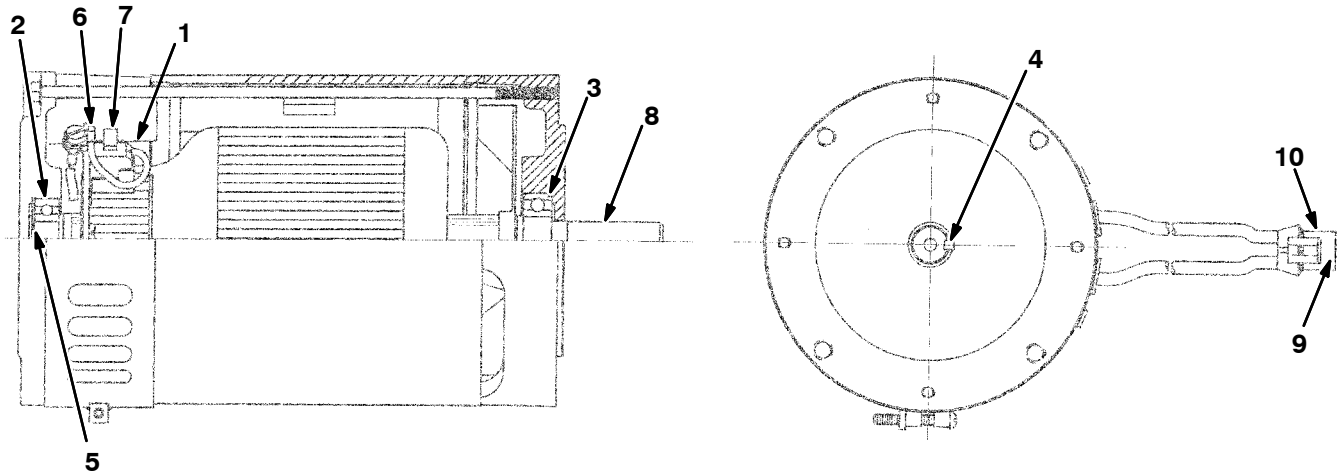


383107

	<b>Ref.</b>	<b>Tennant Part No.</b>	<b>Manufacturer Serial Number</b>	<b>Description</b>	<b>Qty.</b>
▽	1	383709	(000000-	) Motor Assy	1
▲▽		384207	(000000-	) Bearing Kit	1
▲▲		384256	(000000-	) Bearing	2
▲▲		222637	(000000-	) Snap Ring	2
▲		384257	(000000-	) Brush	2
▲		384258	(000000-	) Screw, 6-32	2
▲		384259	(000000-	) Spring, Retaining, Brush	2
▲	2	00912	(000000-	) Key, Square	1

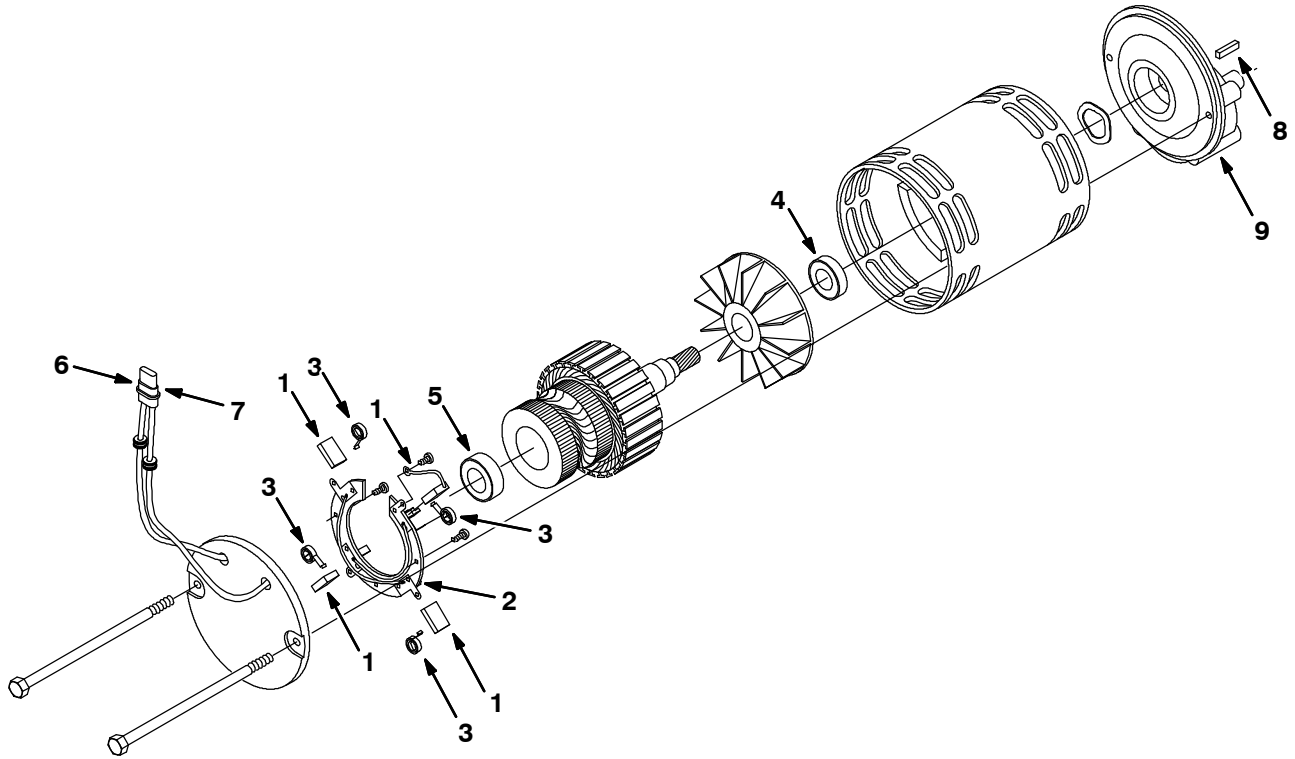


**Fig. 6 - Electric Motor Breakdown, 386050**



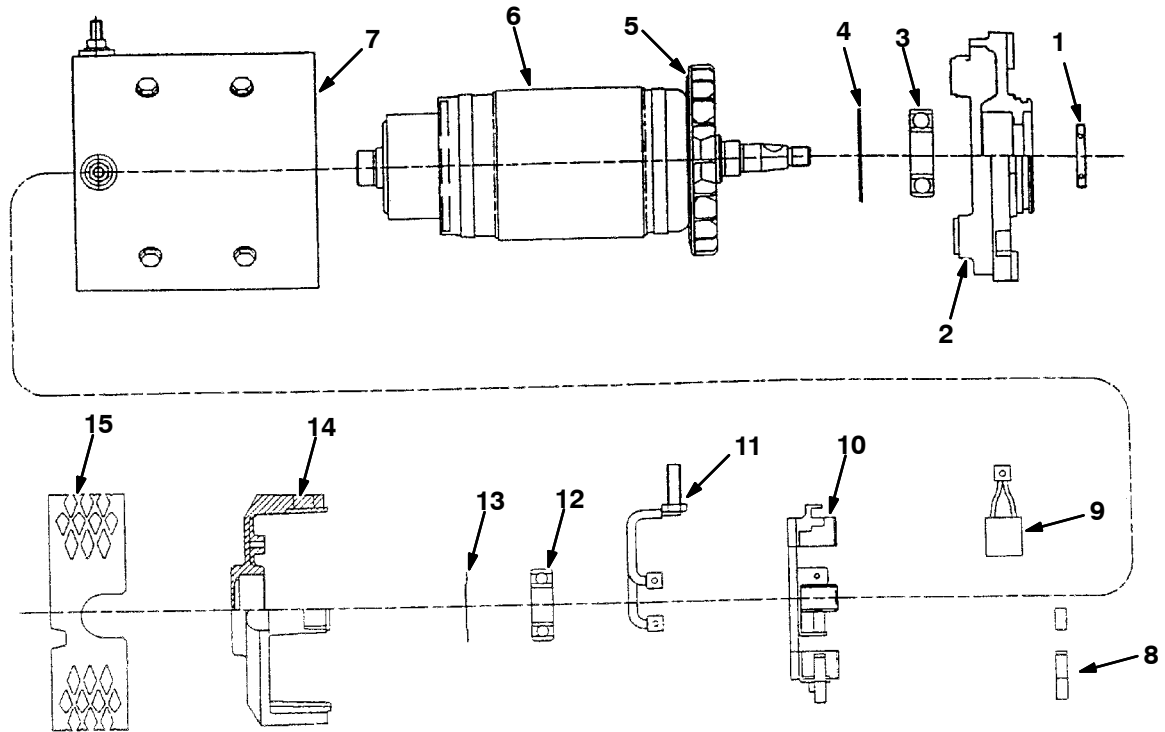
Ref.	Tennant Part No.	Machine Serial Number	Description	Qty.
▽	386050	(000000-	) Motor, Ele, 36 Vdc 1500 Rpm 1.5 Hp	
▲	1 41367	(000000-	) Brush	4
▲	2 41368	(000000-	) Bearing	1
▲	3 41371	(000000-	) Bearing	1
▲	4 00918	(000000-	) Key, Sq, 0.19 X 0.19, 01.25L	1
▲	5 387250	(000000-	) Spring, Bearing	1
▲	6 21800	(000000-	) Ring, Brush	1
▲	7 60189	(000000-	) Spring	4
▲	8 387251	(000000-	) Armature Assy, Complt	1
▲	9 24537	(000000-	) Terminal, [Metripk630], Fem 10	2
▲	10 10925	(000000-	) Connector, 2-Conductor	1

**Fig. 7 - Electric Motor Breakdown, 386679**



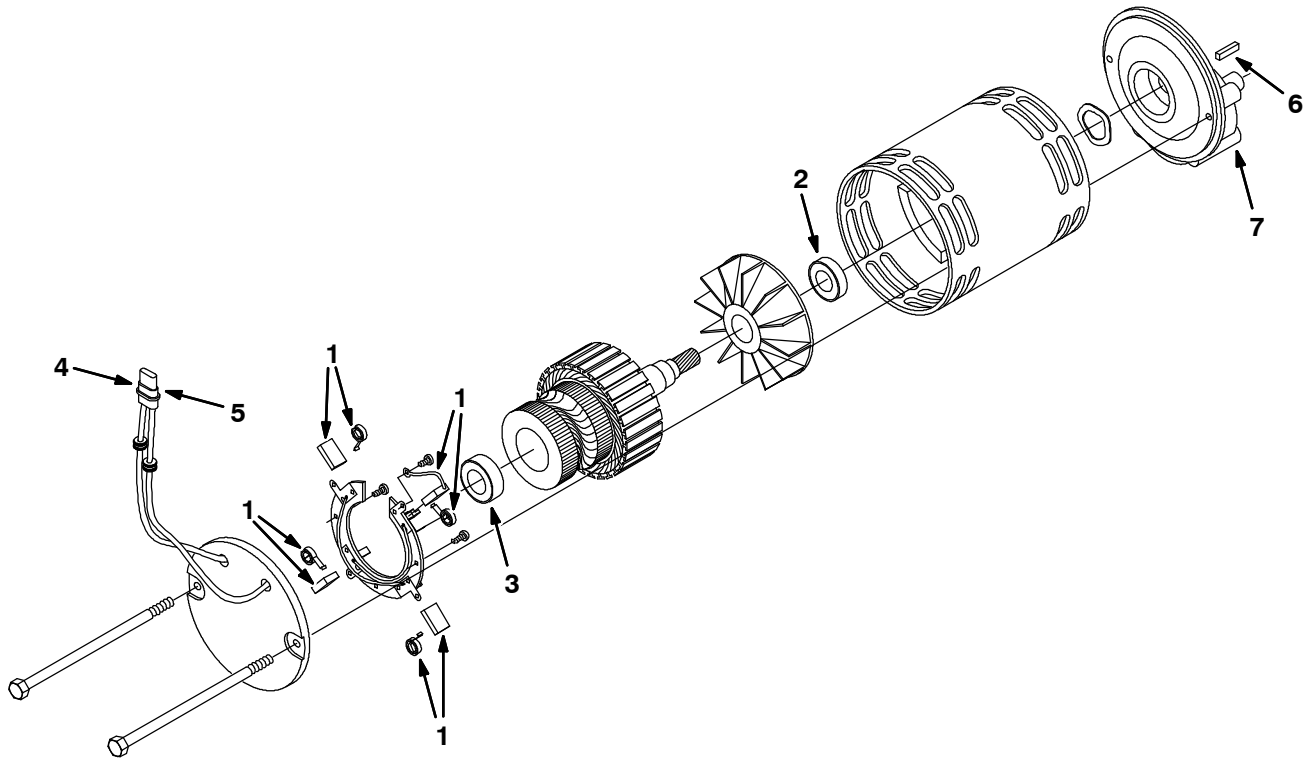
Ref.	Tennant Part No.	Machine Serial Number	Description	Qty.
▽	386679	(000000-	) Motor, Gear, Ele, 1.5Hp, 36Vdc, 300Rpm	
▲	1 387371	(000000-	) Brush Kit	1
▲▽	2 387373	(000000-	) Brush Holder Assy	1
▲▲	3 387374	(000000-	) Spring, Brush	4
▲	4 41371	(000000-	) Bearing	1
▲	5 41368	(000000-	) Bearing	1
▲	6 10925	(000000-	) Connector Body	1
▲	7 24537	(000000-	) Terminal	2
▲	8 00928	(000000-	) Key Square 0.25 X 0.25, 01.00L	1
▲	9 387372	(000000-	) Gearbox, Motor	1

**Fig. 8 - Electric Motor Breakdown, 386811**



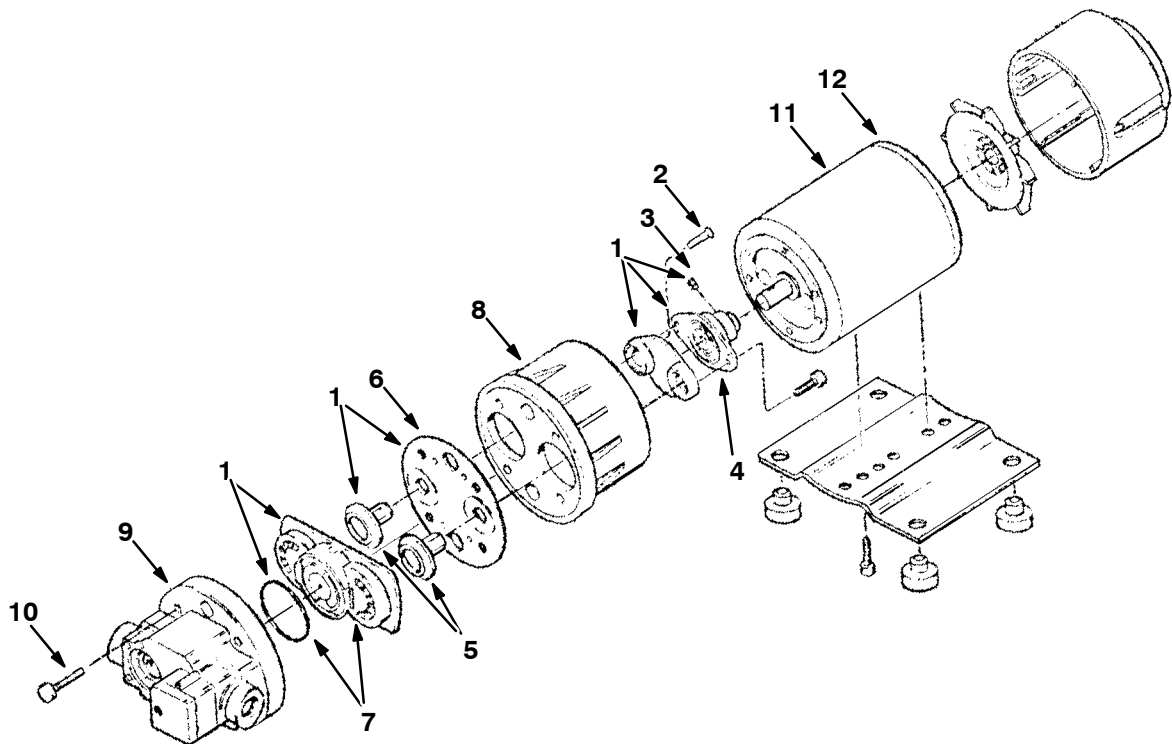
Ref.	Tenant Part No.	Machine Serial Number	Description	Qty.
▽	386811	(000000-	) Motor, Ele, Traction	
▲	1 48753	(000000-	) Seal	1
▲	2 387354	(000000-	) Head, Drive End	1
▲	3 48754	(000000-	) Bearing	1
▲	4 387355	(000000-	) Ring, Retaining	1
▲	5 361966	(000000-	) Armature Fan	1
▲	6 387356	(000000-	) Armature and Fan Assembly	1
▲	7 387357	(000000-	) Frame and Field Assembly	1
▲	8 48755	(000000-	) Spring, Brush	1
▲	9 385742	(000000-	) Brush, Motor, Ele	4
▲	10 223677	(000000-	) Brush Palte	1
▲	11 387358	(000000-	) Wire Assy, Brush	1
▲	12 48758	(000000-	) Bearing	1
▲	13 361971	(000000-	) H-016 Wavy Washer	1
▲	14 387359	(000000-	) Head, Commutator End	1
▲	15 361973	(000000-	) Headband	1

**Fig. 9 - Electric Motor Breakdown, 386687**



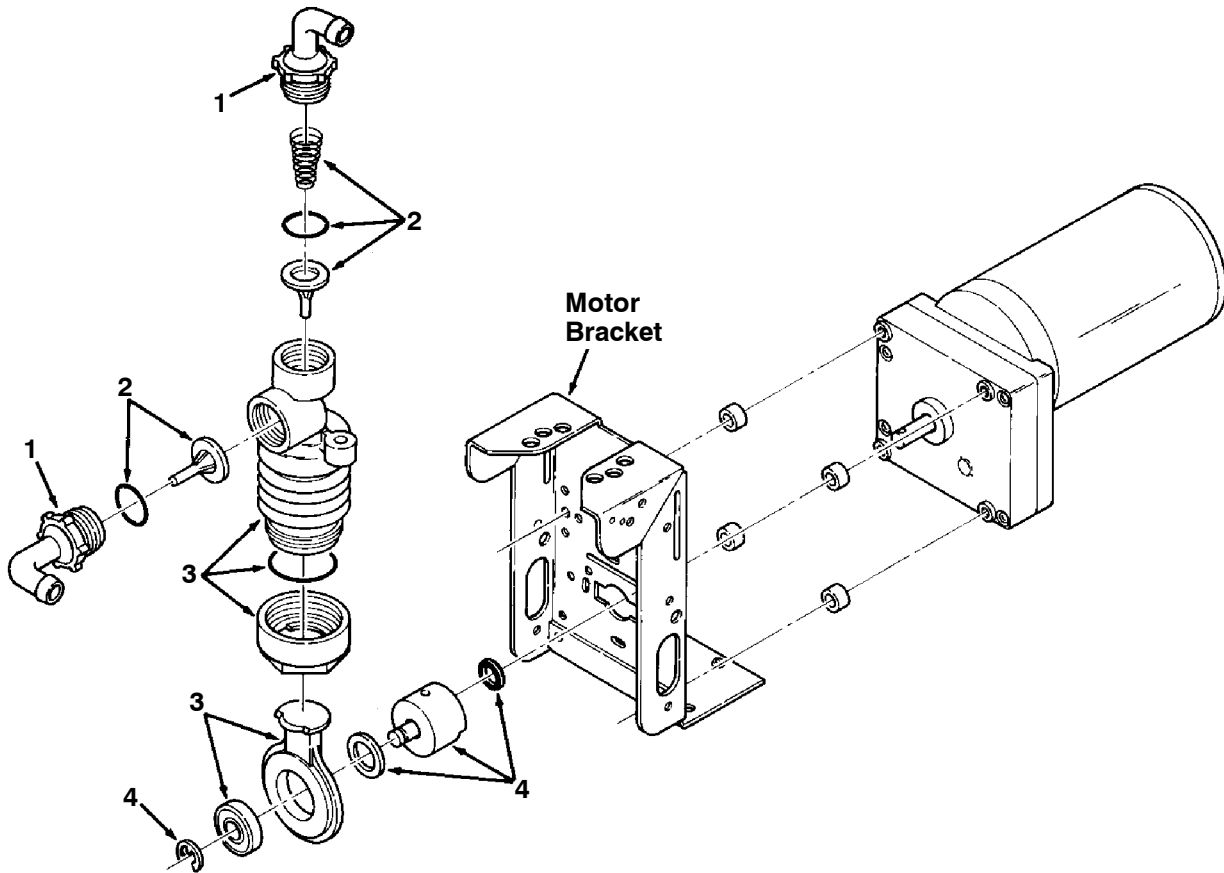
Ref.	Tennant Part No.	Manufacturer Serial Number	Description	Qty.
▽	386687	(000000-	) Motor, Gear, 1.0Hp 36V	1
▲	1	222606	(000000-) Brush Kit	1
▲	2	222618	(000000-) Bearing	1
▲	3	222617	(000000-) Bearing	1
▲	4	10925	(000000-) Connector Body	1
▲	5	24537	(000000-) Terminal	2
▲	6	00928	(000000-) Key Square 0.25 0.25 01.00 Lg	1
▲	7	374005	(000000-) Gearbox, Motor	1

**Fig. 10 - Water Pump Breakdown, 387321**



Ref.	Tennant Part No.	Machine Serial Number	Description	Qty.
▽	387321	(000000- )	Pump kit, Power Wand	1
▲	1 65678	(000000- )	Seal kit	1
▲	2 65667	(000000- )	Screw	1
▲	3 65668	(000000- )	Screw	1
▲	4 370923	(000000- )	Cam/bearing\Diaphragm Kit	1
▲	5 65671	(000000- )	Piston	1
▲	6 65672	(000000- )	Diaphragm kit	1
▲	7 65673	(000000- )	Check valve assy	1
▲	8 65670	(000000- )	Bearing cover	1
▲	9 65674	(000000- )	Switch assy	1
▲	10 65675	(000000- )	Pump screw	1
▲	11 65676	(000000- )	Motor	1
▲	12 65677	(000000- )	Brush/rectifier Assy	1
▲	78950	(000000- )	Connector assy	2
▲	78951	(000000- )	Terminal female	2
▲	10917	(000000- )	Seal connector	2

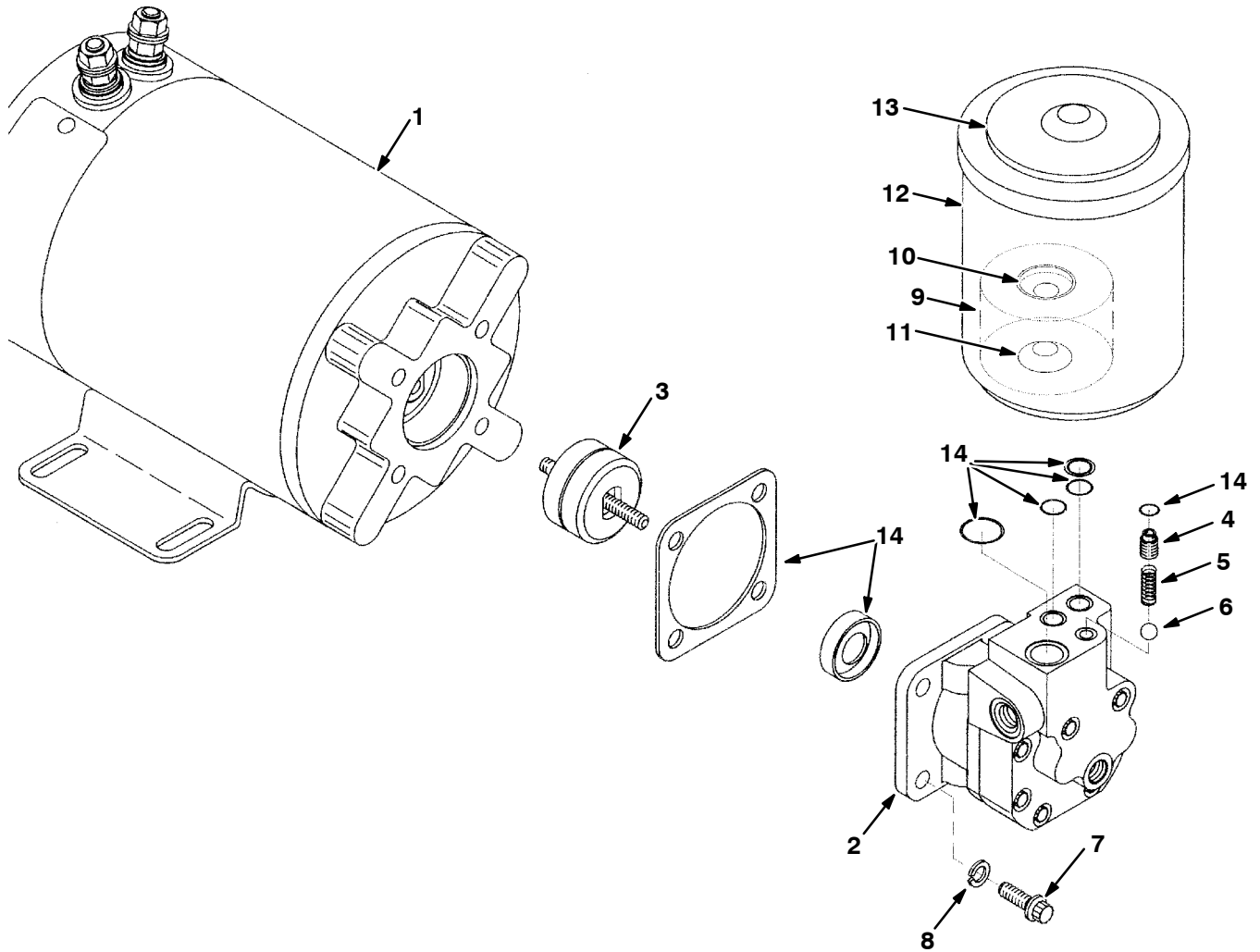
**Fig. 11 - Metering Solution Pump Breakdown, 386364**



00112 - ALL

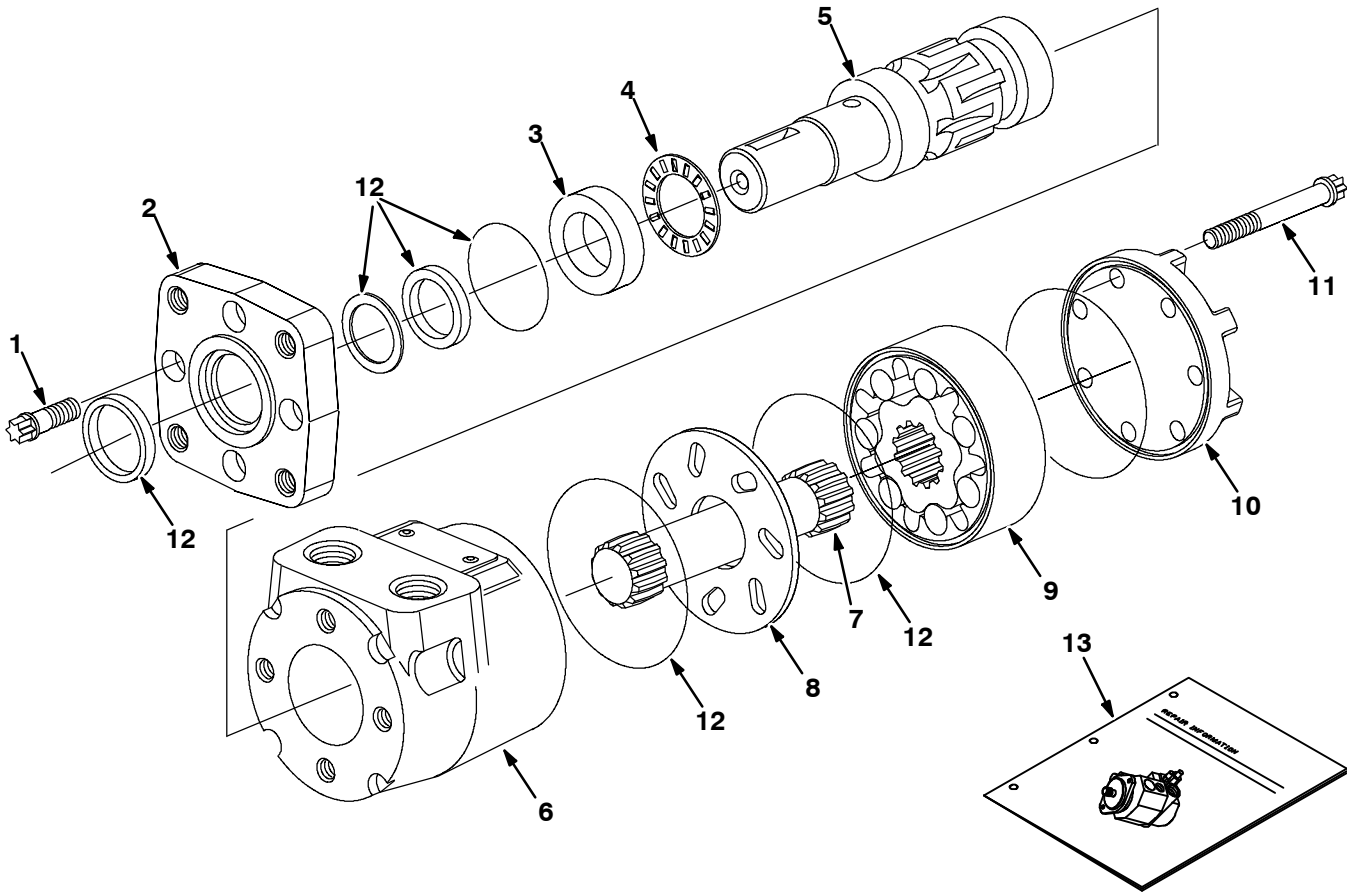
Ref.	Tennant Part No.	Manufacturer Serial Number	Description	Qty.
▽	386364	(000000-	) Pump, Metering Solution	1
▲	1 63923	(000000-	) Connector Kit, Tubing	1
▲	2 21659	(000000-	) Valve Kit, Pump	1
▲	3 21661	(000000-	) Replacement Kit, Bellows	1
▲	4 02430	(000000-	) Crank Replacement Kit	1

**Fig. 12 - Hydraulic Powerunit Breakdown, 368704**



Ref.	Tennant Part No.	Machine Serial Number	Description	Qty.
▽	386704	(000000-	) Powerunit, Hyd, 36Vdc	1
▲	1 387597	(000000-	) Motor, Elect	1
▲	2 387598	(000000-	) Pump assy	1
▲	3 387599	(000000-	) Coupling, Flexible	1
▲	4 387600	(000000-	) Screw, Adjuster	1
▲	5 387607	(000000-	) Spring	1
▲	6 387608	(000000-	) Ball, Check	1
▲	7 387609	(000000-	) Screw, Mtg	4
▲	8 387610	(000000-	) Washer	4
▲	9 387602	(000000-	) Element, Fltr	1
▲	10 387603	(000000-	) Seal, Cup, Upper	1
▲	11 387604	(000000-	) Seal, Cup, Lower	1
▲	12 387605	(000000-	) Reservoir	1
▲	13 387606	(000000-	) Cover, Reservoir	1
▲	14 387601	(000000-	) Kit, Seal	1

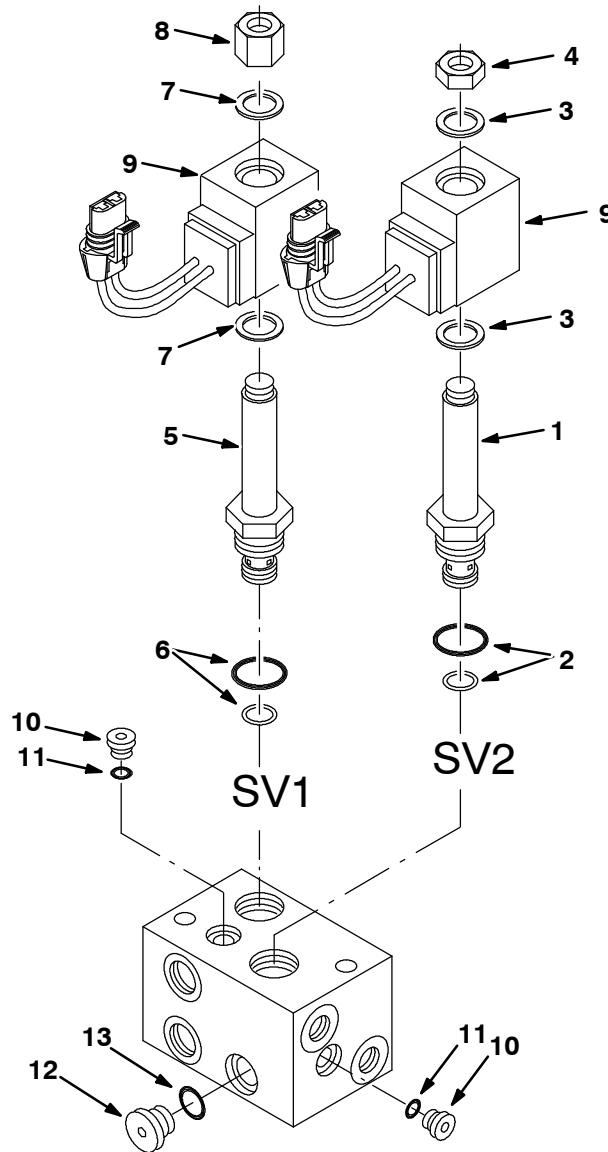
**Fig. 13 - Hydraulic Motor Breakdown, 386703**



Ref.	Tenant Part No.	Machine Serial Number	Description	Qty.	
▽	386703	(000000-	) Motor, Hyd	1	
▲	1	37555	(000000-	) Screw	4
▲	2	763504	(000000-	) Flange	1
▲	3	16695	(000000-	) Race Thrust	1
▲	4	45628	(000000-	) Bearing, Thrust	1
▲	5	763508	(000000-	) Shaft, Output	1
▲	6	22655	(000000-	) Housing	1
▲	7	373344	(000000-	) Drive, Main Cl	1
▲	8	22658	(000000-	) Spacer	1
▲	9	373343	(000000-	) Geroler S/A Cl	1
▲	10	373422	(000000-	) Cap, End	1
▲	11	21958	(000000-	) Cap, Screw Cl	7
▲	12	373423	(000000-	) Kit, Seal, Motor	1
▲	13	22661	(000000-	) Instruction, Repair	1

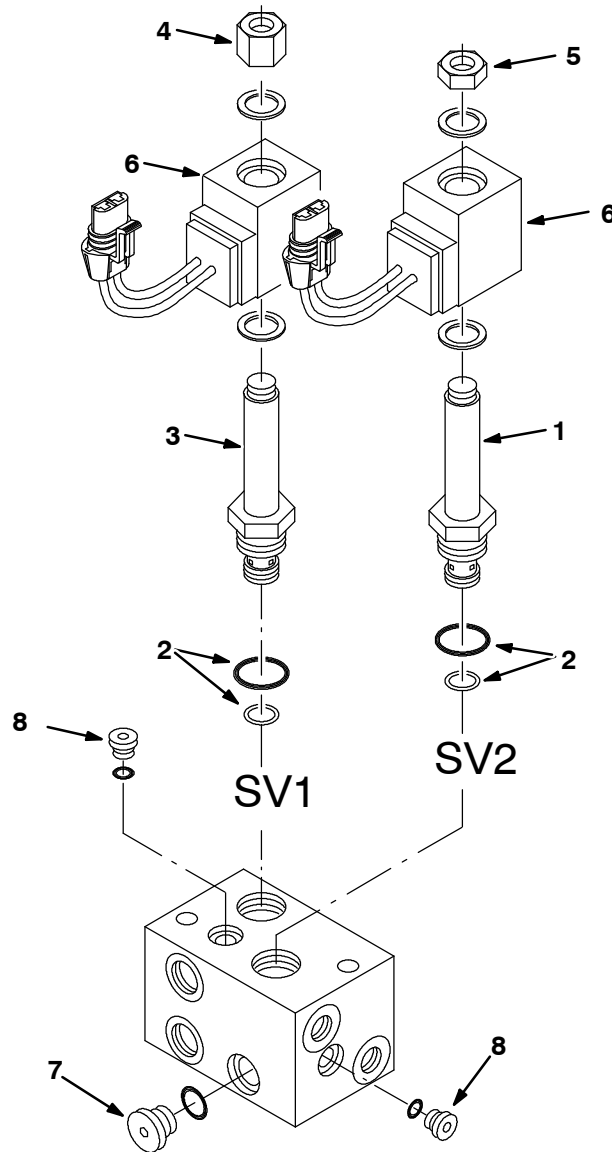


Fig. 14 - Hydraulic Solenoid Valve Breakdown, 386705



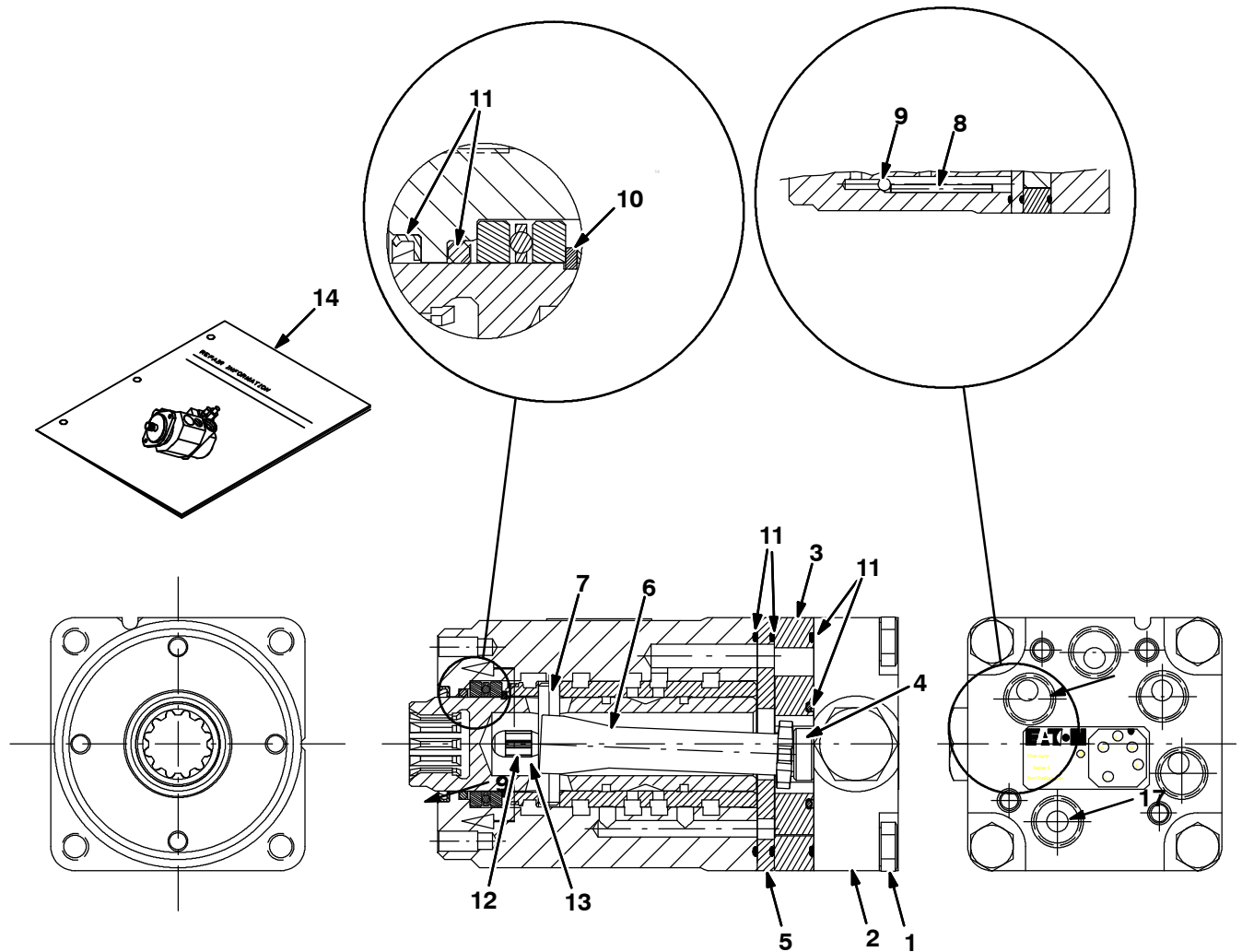
Ref.	Tennant Part No.	Machine Serial Number	Description	Qty.
▽	386705	(000000-	) Valve, Hyd, Solenoid	1
▲▽	1 79716	(000000-	) Valve Stem	1
▲▲	2 79711	(000000-	) Kit, Seal, Hyd, Valve	1
▲▲	3 79740	(000000-	) Kit, Seal, Hyd, Valve	1
▲▲	4 79728	(000000-	) Nut	1
▲▽	5 79739	(000000-	) Valve, Stem	1
▲▲	6 79711	(000000-	) Kit, Seal, Hyd, Valve	1
▲▲	7 79740	(000000-	) Kit, Seal, Hyd, Valve	1
▲▲	8 79731	(000000-	) Nut	1
▲	9 373421	(000000-	) Coil 36v	2
▲▽	10 13902	(000000-	) Plug, O-Ring	2
▲▲	11 77001	(000000-	) Seal, O-Ring,	1
▲▽	12 74098	(000000-	) Plug, O-Ring	1
▲▲	13 77003	(000000-	) Seal, O-Ring, .072 X .35id	1

**Fig. 15 - Hydraulic Solenoid Valve Breakdown, 1049212**



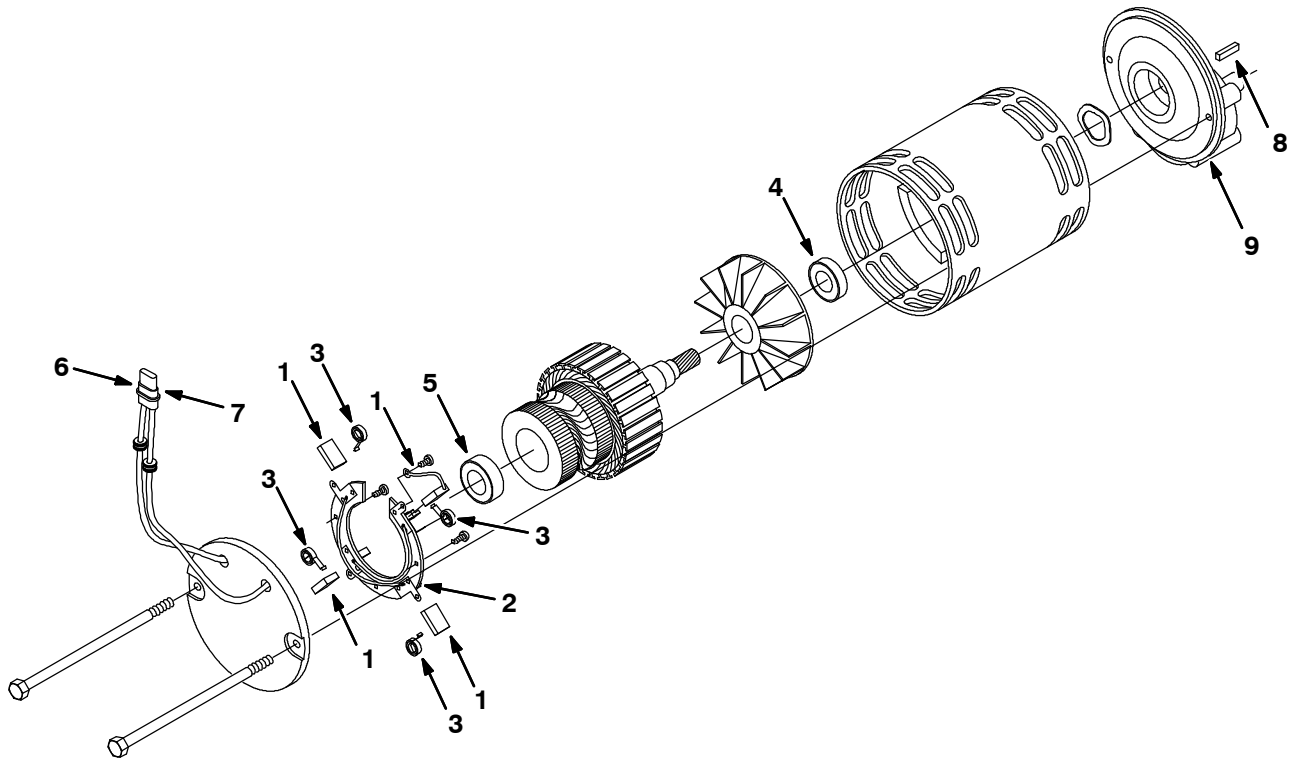
Ref.	Tennant Part No.	Machine Serial Number	Description	Qty.	
▽	1049212	(000000-	) Valve, Cntrl, Hyd, Solenoid, 36vdc 06gpm	1	
▲	1	1050812	(000000-	) Stem, Valve, Hyd	1
▲	2	1050780	(000000-	) Seal Kit, Cartridge	1
▲	3	1052230	(000000-	) Stem, Valve, Hyd	1
▲	4	1050811	(000000-	) Nut, Valve, Cartridge	1
▲	5	1051078	(000000-	) Nut, Valve, Cartridge	1
▲	6	1052515	(000000-	) Solenoid, Valve, Hyd, 36vdc	2
▲	7	1050873	(000000-	) Fitting, Plug, Om06, Valve	1
▲	8	1050869	(000000-	) Fitting, Plug, Om04, Valve	2

Fig. 16 - Steering Control Valve Breakdown, 373495



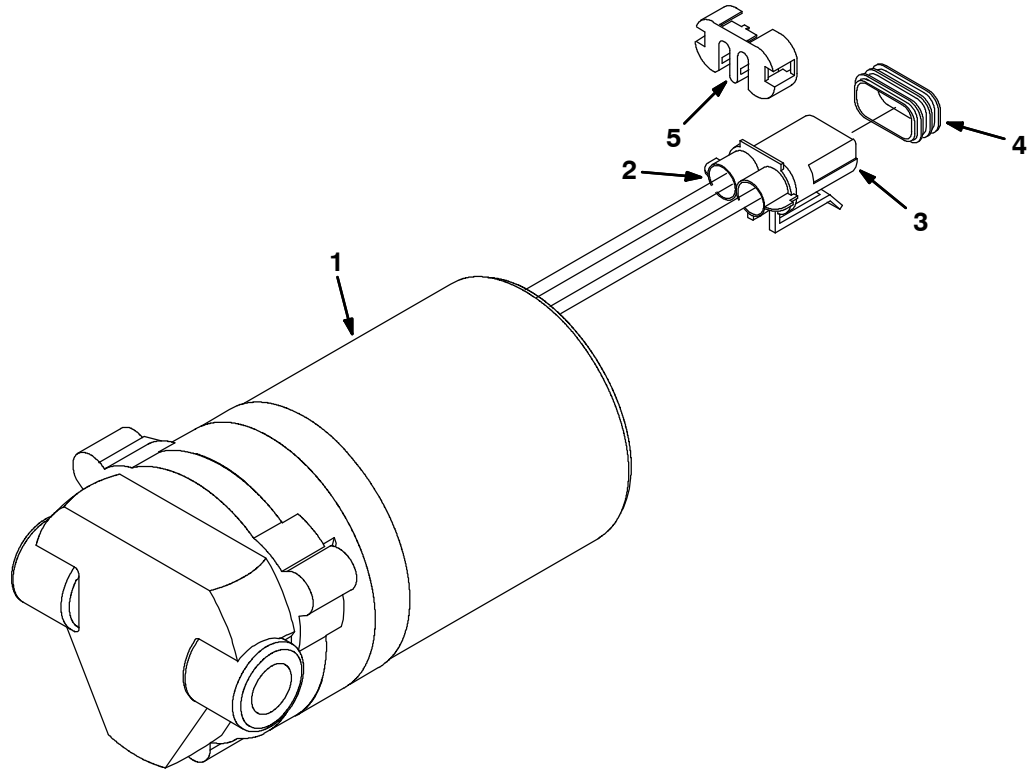
Ref.	Tennant Part No.	Machine Serial Number	Description	Qty.
▽	373495	(000000-	) Steer-Control, Hyd	4
▲	1 373567	(000000-	) Screw, Cap	1
▲	2 373568	(000000-	) Cap, End	1
▲	3 373569	(000000-	) Geroter	1
▲	4 373570	(000000-	) Spacer	1
▲	5 373571	(000000-	) Plate, Wear	1
▲	6 74231	(000000-	) Drive, Valve, Strg	1
▲	7 74232	(000000-	) Pin, Valve, Strg	1
▲	8 373572	(000000-	) Pin	1
▲	9 74114	(000000-	) Ball, Check, Strg Valve	1
▲	10 74243	(000000-	) Ring, Retainer, Valve, Strg	1
▲	11 74244	(000000-	) Kit, Seal, Hyd, Valve, Strg	1
▲	12 74196	(000000-	) Kit, Spring, Valve, Strg	1
▲	13 21935	(000000-	) Bearing Kit	1
▲	14 74245	(000000-	) Instruction, Repair, Valve, Strg	1

**Fig. 17 - Electric Motor Breakdown, 387585**



Ref.	Tennant Part No.	Machine Serial Number	Description	Qty.
▽	387585	(000000-	) Motor, Gear, Ele, 1.5Hp, 36Vdc, 300Rpm	
▲	1 387589	(000000-	) Brush	4
▲	2 387590	(000000-	) Brush, Board, Assy	1
▲	3 387592	(000000-	) Spring, Brush	4
▲	4 387587	(000000-	) Bearing	1
▲	5 387588	(000000-	) Bearing	1
▲	6 10925	(000000-	) Connector Body	1
▲	7 24537	(000000-	) Terminal	2
▲	8 00928	(000000-	) Key Square 0.25 X 0.25, 01.00L	1
▲	9 374005	(000000-	) Gearbox, Motor	1

**Fig. 18 - ec-H2O Solution Pump Breakdown, 1005866**



- ALL

	<b>Ref.</b>	<b>Part No.</b>	<b>Serial Number</b>	<b>Description</b>	<b>Qty.</b>
∇		1005866	(000000-	) Pump, Soltn, Ele, 36vdc	1
▲	1	391433	(000000-	) Head Kit, Pump, Water, Repair	1
▲	2	78950	(000000-	) Connector, Fem, 2cav, Mp280 Sealed	1
▲	3	78951	(000000-	) Terminal, Fem, Mp280, Sealed, 18-16ga	1
▲	4	10917	(000000-	) Seal, Wire, 14/16ga [Wp / Mp280 Sealed]	1
▲	5	78952	(000000-	) Lock, Secondary, 2cav, Mp280 Sealed	1

**Fig. 19 - ec-H2O Module Assembly Breakdown, 9006270**

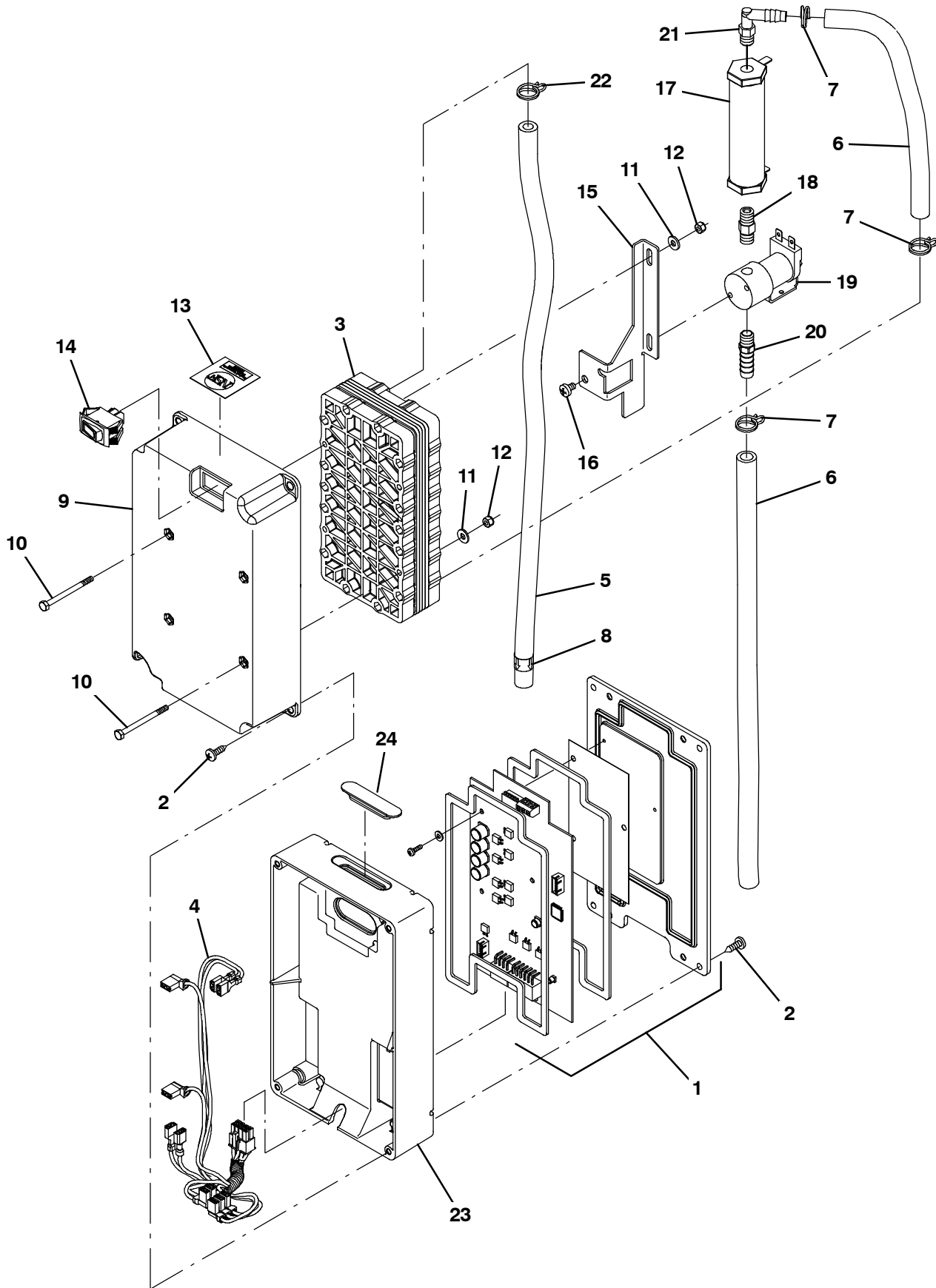
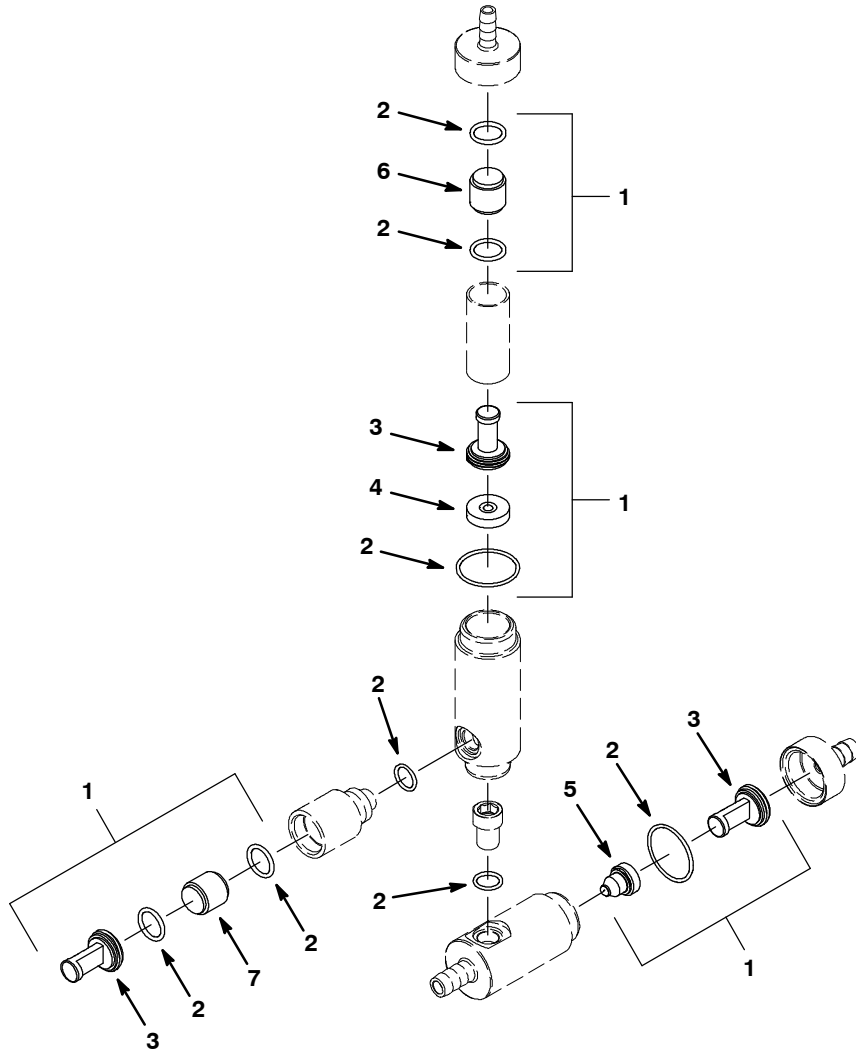


Fig. 19 - ec-H2O Module Assembly Breakdown, 9006270

Ref.	Part No.	Serial Number	Description	Qty.
▽	9006270	(000000-	) Module Kit, Replmt [Ec-H2o]	1
▲	1 9006159	(000000-	) Controller Kit, Replmt [Ec-H2o]	1
▲	2 1018155	(000000-	) Screw, Pan, Phl, M5 X 0.80 X 16, Tcut,Ss	8
▲▽	9006325	(000000-	) Ec-H2o Kit, Module C, Plumbing	1
▲▲	3 1050767	(000000-	) Electrode, 5 Plate, High Flow	1
▲▲	4 1049489	(000000-	) Harness, Main,Controlboard[Ec-H2o 5cell]	1
▲▲	5 1014971	(000000-	) Hose, Afmkt, Pvc, Brd, 0.38id, 01ft, Clr	1
▲▲	6 9006268	(000000-	) Hose, Pvc, Brd, 0.31id 0.53od, 2ft, Clr	1
▲▲	7 1053464	(000000-	) Clamp, Hose, Wir, .56 - .56, Yel	3
▲▲	8 1049637	(000000-	) Label, Direction [Ec-H2o]	1
▲▲	9 1021219	(000000-	) Assy, Rod-End, .50	1
▲▲	10 32509	(000000-	) Screw, Hex, M4 X 0.70 X 50, Ss	4
▲▲	11 41579	(000000-	) Washer, Flat, 08, Ss	4
▲▲	12 33932	(000000-	) Nut, Hex, Lock, M4 X 0.70, NI, Ss	4
▲▲	13 1046041	(000000-	) Label, Module [Nsf, Ec-H2o]	1
▲▲	14 1044393	(000000-	) Switch, Rocker, Spst, Mom	1
▲▲	15 1048741	(000000-	) Bracket, Valve, Large	1
▲▲	16 578856	(000000-	) Screw, Flt, Phl, 10-32 X 0.31	2
▲▲	17 1038159	(000000-	) Electrode, Cylindrical	1
▲▲	18 1045030	(000000-	) Fitting, Brs, Str, Pm02/Pm02	1
▲▲	19 1048643	(000000-	) Valve, Solenoid, 0.25" Orifice, 24vdc	1
▲▲	20 1005375	(000000-	) Fitting, Plstc, Str, Bm06/Pm02, Nyl	1
▲▲	21 1051268	(000000-	) Fitting, Plstc, E90, Bm05/Pm02, Nyl	1
▲▲	22 607775	(000000-	) Clamp, Hose, Wir, .63 - .66, Blk	1
▲	23 1037032	(000000-	) Housing, Bottom	1
▲	24 1050431	(000000-	) Grommet, Blind	1

**Fig. 20 - FaST Injector Assembly Breakdown, 9006118**



354649

Ref.	Part No.	Serial Number	Description	Qty.	
▽	9006118	(000000-	) FaST Kit, Injector, Ci [7300/8300]	1	
▲▽	1	9006119	(000000-	) FaST Kit, Ci [Inj Rebl, 7300/8300]	1
▲▲	2	9003008	(000000-	) Fast Kit, Ci, Injector Seals [Fast li+]	1
▲▲	3	9003009	(000000-	) Fast Kit, Ci, Injector Filters[Fast li+]	1
▲▲	4	1050342	(000000-	) Plate Assy, Orifice, 0.010ld, Purple	1
▲▲	5	1050336	(000000-	) Plug, Orifice, 0.052, Ss [FaST II+]	1
▲▲	6	1030444	(000000-	) Valve, Check, 0002psi [Fast li+]	1
▲▲	7	1030441	(000000-	) Valve, Check, 0005psi [Fast li+]	1



# SECTION 5

**CONTENTS**

**PAGE**

PART NUMBER TO PAGE NUMBER CROSS REFERENCE LIST ..... 5-2  
PART DESCRIPTION TO PAGE NUMBER CROSS REFERENCE LIST ..... 5-12

# CROSS REFERENCE

## PART NUMBER TO PAGE NUMBER CROSS REFERENCE LIST

Part Number	Page Number	Part Number	Page Number	Part Number	Page Number
00500-10	2-93	01842	4-3	07786	2-61, 2-63, 2-73, 2-85,
00910	2-77	01856	4-3, 4-5		3-33, 3-37, 3-49, 3-51,
00911	2-77, 3-41, 3-59	01969	4-3		3-67, 3-69
00912	2-77, 2-93, 3-41, 3-59, 4-6, 4-7, 4-8	01971	4-3, 4-5	07787	2-79
00918	3-41, 3-59, 4-9	01982	4-3	07789	2-112, 3-81
00926	2-87	01983	4-3	07790	2-87, 2-103, 2-105, 3-9
00928	4-10, 4-12, 4-20	02076	2-25		
00954	2-93	02129	3-111	07791	2-11, 2-25, 2-73, 2-83, 2-95, 3-5, 3-7, 3-19
01316	3-75	02430	4-14	07792	2-65, 3-87, 3-89
01516	2-65	02850	2-15, 2-35, 2-103, 3-77, 3-101	07800	2-85
01683	2-23, 2-39, 2-41, 2-43, 2-45, 2-49, 2-101, 2-103, 2-105, 3-79, 3-81, 3-111	02931	2-65	07805	3-111
01684	2-7, 2-9, 2-11, 2-15, 2-41, 2-49, 2-59, 2-61, 2-63, 2-67, 2-69, 2-73, 2-107, 2-109, 3-19, 3-31, 3-33, 3-37, 3-41, 3-43, 3-45, 3-47, 3-49, 3-51, 3-53, 3-55, 3-59, 3-61, 3-63, 3-65, 3-67, 3-69, 3-71, 3-73, 3-75, 3-87, 3-89, 3-99, 3-107	02938	2-105	08085	3-49, 3-51, 3-67, 3-69
		02942	2-73, 3-41, 3-59	08175	2-81
		03495	2-69, 3-105, 3-107	08178	2-15, 2-67, 2-69, 3-107
		04414	2-69, 3-105, 3-107	08179	2-89, 3-105
		04417	2-65, 2-67	08182	2-23, 2-49, 2-53, 2-59, 2-75, 3-25, 3-31, 3-39, 3-47, 3-57
		04733-10	2-67		
		04733-2	2-73, 3-19	08236	2-83
		04843	2-41, 2-49, 2-59, 3-31, 3-47, 3-65	08346	2-53, 3-25, 3-39, 3-57
		05686	2-65	08708	2-13, 2-17, 2-19, 2-23, 2-73, 2-83, 2-93, 2-103, 2-105, 2-112, 3-9
01685	2-15, 2-21, 2-27, 2-31, 2-43, 2-49, 2-51, 2-55, 2-57, 2-59, 2-61, 2-63, 2-67, 2-69, 2-73, 3-19, 3-23, 3-25, 3-27, 3-29, 3-31, 3-33, 3-37, 3-43, 3-45, 3-47, 3-57, 3-61, 3-63, 3-65, 3-75, 3-77, 3-93, 3-99, 3-101, 3-105, 3-107, 3-111, 3-115, 3-117, 3-119, 3-121	06279	2-49, 2-53, 2-67, 3-25, 3-31, 3-39, 3-57		
		06415	2-83	08709	2-11, 2-13, 2-23, 2-27, 2-35, 2-41, 2-71, 2-73, 2-77, 2-79, 2-81, 2-83, 2-85, 2-87, 2-95, 2-101, 2-107, 2-109, 3-19, 3-43, 3-45, 3-61, 3-63, 3-81
		06474A	2-23	08711	2-19, 2-29, 2-73, 2-89, 3-19, 3-25
		06549	2-17, 2-39, 2-79, 2-83, 2-91, 2-103, 2-105, 3-41, 3-59	08712	2-41, 2-53, 2-55, 2-57, 2-59, 2-61, 2-63, 2-67, 2-77, 2-79, 3-27, 3-29, 3-31, 3-33, 3-37, 3-43, 3-45, 3-47, 3-53, 3-55, 3-61, 3-63, 3-65, 3-71, 3-73, 3-75, 3-99, 3-111
		06925	2-105	08713	2-27, 2-31, 2-49, 2-51, 2-61, 2-63, 2-67, 2-69, 2-85, 3-23, 3-25, 3-31, 3-33, 3-35, 3-37, 3-39, 3-57, 3-65, 3-77, 3-93, 3-99, 3-105, 3-107, 3-111, 3-113, 3-115, 3-117, 3-119, 3-121
		06931	2-23, 2-105		
		06942	2-19, 2-33, 2-35, 2-39, 2-83, 2-87, 2-103, 2-105, 2-111	08714	2-51, 2-65, 2-67, 2-85, 3-11, 3-23, 3-25, 3-41, 3-57, 3-59
01686	2-31, 2-43, 2-51, 2-53, 2-59, 2-61, 2-63, 2-65, 2-67, 2-73, 3-11, 3-13, 3-19, 3-23, 3-25, 3-31, 3-33, 3-37, 3-39, 3-41, 3-47, 3-49, 3-51, 3-57, 3-59, 3-65, 3-67, 3-69, 3-105	06943	2-11, 2-13, 2-27, 2-47, 2-77, 2-81, 2-87, 2-93, 3-9	08716	2-53, 2-59, 2-61, 2-63, 2-67, 2-73, 3-31, 3-33, 3-37, 3-47, 3-53, 3-55, 3-65, 3-71, 3-73
		06944	2-23, 2-83		
		06945	2-112	09007	2-17, 2-41, 3-75, 3-99
		06946	2-19, 2-103, 2-105		
		06949	3-9		
		06955	2-27, 2-83		
		06958	2-95		
		06960	2-19		
		06961	3-13, 3-15		
01690	2-13	06963	2-23		
01692	3-49, 3-67	06964	2-85		
01713	2-11, 2-103, 2-105, 2-107, 2-109	06965	2-85		
01714	2-23, 2-81	06969	2-29, 3-25		
01715	2-103, 2-105, 2-107, 2-109	06971	2-89		
01726	3-115, 3-117, 3-119, 3-121, 3-122, 3-123, 3-124, 3-125, 3-126, 3-127	06974	2-73, 2-89, 3-19		
01760	3-111	06977	2-77, 2-79		
01837	4-3, 4-5	07112	2-19, 2-89		
		07259	2-87		
		07450	2-65, 2-67, 2-75		
		07471	3-45, 3-63		
		07514	2-105, 2-107, 2-109		

# CROSS REFERENCE

Part Number	Page Number	Part Number	Page Number	Part Number	Page Number
09010	2-15, 2-35, 2-51, 2-65, 2-67, 3-23, 3-25, 3-39, 3-57, 3-75, 3-99, 3-105	1006400	2-39	1017368	2-9
09011	2-31, 3-77	1006401	3-29	1017386	3-81
09023	2-61, 2-63, 3-33, 3-37, 3-93, 3-111	1006447	2-33	1017413	2-37, 2-39, 2-57, 3-29, 3-45, 3-63, 3-81
09026	2-27, 2-85	1006472	2-73	1017415	2-37, 2-39, 3-81
09028	2-51, 2-85, 3-11, 3-13, 3-23, 3-25, 3-57	1007107	3-111	1017441	2-73, 3-19
09030	2-25	1007129	3-111	1017802	2-73, 3-19
09088	2-29	1007337	2-105	1018155	4-23
09162	2-76	1007344	2-105	1019285	2-43, 3-77
09198	2-7, 2-9, 3-41, 3-59, 3-111	1007349	2-105	1019344	3-108, 3-109
09206	2-35, 3-77	1007353	2-105	1021219	4-23
09228	3-101	1007486	3-25, 3-57	1021878	2-35, 2-39
09244	2-83, 2-101, 2-112	1007632	2-61, 3-33	1022465	3-109
09252	2-33	1008211	2-35	1022558	3-109
09291	2-75, 3-21, 3-41, 3-59	1008275	3-19	1022564	3-108
09294	2-25	1010325	2-140	1022565	3-108
09480	2-73, 3-19	1010614	2-33	1023676	2-29
09718	3-25, 3-39, 3-57	1010655	2-33	1023677	2-29
09738	3-41, 3-59	1010658	2-33	1024009	2-35
09739	2-45, 2-49, 3-39, 3-57, 3-79, 3-111	1010660	2-33	1028580	2-112
09740	2-11, 2-15, 2-43, 2-73, 2-85, 3-25, 3-57, 3-111, 3-113, 3-115, 3-117, 3-119, 3-121	1010661	2-33	1028581	2-33, 2-39
09741	2-69, 2-79, 3-49, 3-51, 3-67, 3-69, 3-105, 3-107	1010668	2-39, 3-45, 3-63	1030441	4-24
09744	3-49, 3-51, 3-55, 3-67, 3-69, 3-73, 3-87, 3-89	1010713	2-33	1030444	4-24
09746	2-79	1010791	2-33, 2-35	1031699	2-31, 2-45, 3-79, 3-93
09767	2-69, 3-105, 3-107	1010797	2-35	1031700	3-87, 3-89
09770	2-73, 3-19	1010832	3-63	1034891	2-23
09774	3-49, 3-51, 3-67, 3-69	1010835	2-33	1035794	2-39
1001062	3-41, 3-59	1010836	2-33	10362	2-93
1001099	2-53, 3-25, 3-39, 3-57	1010871	2-35	1036903	2-99
1002464	3-35, 3-55, 3-73	1011170	2-35	1037032	4-23
1002789	2-37	1011276	2-112, 2-113	1037346	3-81
1002898	2-35, 2-39	1011403	2-33, 2-35, 2-37, 2-39, 2-57, 3-45, 3-63	1037822	2-3, 2-4, 2-43
1002899	2-35, 2-39	1011411	3-81	1038159	4-23
1005026	2-4	1011412	3-81	1039190	2-69, 3-107
1005086	2-37	1011521	2-33, 2-39, 2-55, 3-29, 3-45, 3-63	1039617	2-47
1005133	3-35, 3-55, 3-73	1011713	3-41, 3-59	1040467	3-81
1005135	3-35, 3-55, 3-73	1011835	2-37	1040868	3-83
1005255	2-35	10120	2-29	1041797	2-47
1005302	2-37, 2-39, 3-81	1012528	2-55, 2-57, 3-27, 3-29	1041822	3-83
1005304	2-37	1013857	2-33	1041885	3-131
1005375	3-81, 4-23	1013866	2-35	1042499	2-9
1005404	2-73	1014056	2-35	1042504	2-9
1005416	2-112	1014082	2-35	1042513	2-23
1005435	2-35, 2-39	1014875	3-63	1042514	2-23
1005457	2-73	1014971	4-23	1043866	3-81
1005508	2-33	1014976	3-81	1044393	4-23
1005523	2-73	1014986	2-35, 2-39	1045030	4-23
1005552	2-37	1014987	2-35	1045426	2-91
1005866	2-33, 3-81, 4-21	1015045	2-57, 3-29, 3-45, 3-63	1045633	2-39
		1015048	3-29, 3-45, 3-63	1046041	4-23
		1015090	3-45	1046173	3-81
		1015096	2-140	10464	3-41, 3-59
		1015097	3-45	1048643	4-23
		1015558	2-55, 2-57, 3-27	1048741	4-23
		1017015	2-35	1048932	2-21
		1017022	2-35	1048955	2-21
		1017255	3-81	1049092	2-21
		1017288	2-140, 2-141	1049212	2-95, 4-18
		1017289	2-140	1049254	2-39
				1049259	2-39

# CROSS REFERENCE

Part Number	Page Number	Part Number	Page Number	Part Number	Page Number
1049269	3-87, 3-89	12274	2-105	16914	2-55, 2-57, 3-27, 3-43, 3-61
1049489	4-23	12309	2-69, 3-105, 3-107	16931	2-11, 2-13, 2-25, 2-35, 2-75, 2-77, 2-79, 2-81, 2-83, 2-89, 2-91, 2-93, 2-95, 2-101, 2-107, 2-109, 3-21
1049637	4-23	12312	2-39, 2-77, 2-79, 2-103, 2-105, 2-113, 3-81	16949	3-49, 3-51, 3-67, 3-69
1050003	3-83	12316	2-45, 3-79	17188	3-81
1050193	3-25, 3-39, 3-57	12317	2-65, 2-67, 3-41, 3-59	17260	2-7
1050195	2-53	12323	3-93	17261	2-7
1050336	4-24	12333	2-61, 2-63, 3-33, 3-37	17262	2-7
1050342	4-24	12459	2-11, 2-49	17263	2-7
1050431	3-81, 4-23	12540	2-25	17363	2-47, 4-3
1050664	3-85	13248	2-21, 2-47, 2-49, 3-39, 3-57	17404	2-61, 2-63, 3-33, 3-37, 3-49, 3-51, 3-67, 3-69
1050767	4-23	13292	2-43, 2-47, 3-77	17461	2-89
1050771	2-39	13513	2-23	18627	4-3
1050780	4-18	13902	4-17	18628	4-3, 4-5
1050805	2-39	14150	2-25	18630	4-3
1050811	4-18	14242	2-29	19064	2-35, 3-101, 3-103
1050812	4-18	14296	2-25	19065	2-91
1050869	4-18	14432	3-55, 3-73	19066	2-17, 2-33, 2-83, 2-103, 2-105, 2-107, 2-109, 2-113, 3-5, 3-9
1050873	4-18	14455	2-49	19312	2-103, 2-105
1051030	2-7, 2-9	14523	2-53	19314	2-103
1051078	4-18	14524	2-53, 3-25, 3-39, 3-57	19320	2-101
1051268	4-23	14555	2-65	19577	2-77
1052017	3-81	14595-1	2-81	19903	3-87, 3-89
1052230	4-18	14601	2-23	20802	2-13
1052515	4-18	14605	2-81	20806	2-67
1052588	2-141	14725	2-59, 3-31, 3-47, 3-65	20807	3-27
1052683	3-81	14838	2-7, 2-9	20810	2-31
1052726	3-81	14864	2-45, 3-79	20833	2-3, 2-4, 2-65
1052755	3-83	14877	3-75, 3-77	20932	3-87, 3-89
1052832	3-81	14880	2-45, 3-79	20944	3-93
1053078	3-81	14953	2-7	20950	3-93
1053464	4-23	14967	2-7	20951	3-93
1054657	3-85	150016	3-81	20952	3-93
1055254	3-81	150208	3-97	21601	2-69, 3-105, 3-107
1055255	3-81	15023	2-51, 3-23, 3-39, 3-57	21602	2-69, 3-105, 3-107
1055336	3-81	150511	3-81	21603	2-69, 3-105, 3-107
1055883	3-83	150525	2-35	21606	2-69, 3-105, 3-107
1056331	3-83	150540	2-39	21659	4-14
1056416	3-81	150709	2-39	21661	4-14
1056944	3-83	150713	2-39	21765	4-3
10575	3-75	15539	2-7, 2-9	21800	4-9
10632-12	3-5, 3-7, 3-9	15648	2-49, 2-75, 2-85, 3-21	21935	4-19
10632-13	2-17, 2-27	15675	2-21, 2-43, 2-47, 3-43, 3-45, 3-61, 3-63, 3-75	21958	4-16
10632-14	2-101	15678	2-55, 2-57, 2-73, 2-77, 2-79, 3-19, 3-27, 3-29, 3-41, 3-43, 3-45, 3-59, 3-61, 3-63, 3-75	222066	2-85
10632-17	2-101	15840	2-111	222117	3-101
10632-19	2-35	15846	2-107	222159	2-23
10632	2-23	16356	2-55	222196	2-75, 3-21
10912	2-47	16455	2-87	222277	2-59, 3-31, 3-47, 3-65
10917	4-13, 4-21	16695	4-16	222290	2-17, 2-105, 2-140, 2-141, 3-83
10925	4-3, 4-5, 4-6, 4-7, 4-9, 4-10, 4-12, 4-20	16735	2-11, 2-25, 2-39, 2-41, 3-81	222409	2-93, 4-6
10926	4-3, 4-5	16816	2-65	222460	2-27
11329	2-19, 2-73, 2-77, 2-87	16879	2-17	222470	2-79
11398	2-73, 3-19				
11399	2-4, 2-31, 2-55, 3-35, 3-43, 3-45, 3-55, 3-61, 3-63, 3-73				
11756	4-3				
12138	2-79				
12273	2-31, 2-43, 2-55, 2-57, 2-77, 3-27, 3-29, 3-101				

# CROSS REFERENCE

Part Number	Page Number	Part Number	Page Number	Part Number	Page Number
222496	2-85	25735	2-61, 2-63, 3-33, 3-37, 3-49, 3-51, 3-67, 3-69	32746	2-7, 2-9
222497	2-69, 3-105, 3-107	25887	2-77, 2-79	32815	2-107, 2-109
222505	2-59, 3-31, 3-47, 3-65	26103	2-85	32940	2-81
222534	2-17	26156	2-41	32969	2-29
222539	2-75, 3-21	26315	2-29	32978	2-91
222556	2-59, 3-31, 3-47, 3-65	26395-1	2-49	32980	2-11, 2-23, 2-103, 2-105, 3-9
222606	4-12	26395-2	3-5, 3-9	32981	2-23
222617	4-12	26426	3-81	32982	2-103, 2-105, 2-107
222618	4-12	26428	2-85, 3-41, 3-59	32983	2-21, 3-17
222623	4-6	27880	2-41	32984	2-35, 2-103, 2-105, 2-107, 2-109
222625	4-6, 4-7	27928	2-17	32988	2-107, 2-109
222627	4-6, 4-7	27980	2-61, 3-33	330630	3-131
222629	4-6, 4-7	28622	3-9	330631	3-131
222635	4-6	29557	2-53, 3-25, 3-39, 3-57	330632	3-131
222637	4-6, 4-8	29558	2-61	330633	3-131
222638	4-6	29568	3-33	330635	3-131
222788	3-55, 3-73	29584	2-59, 3-31, 3-47, 3-65	33295	3-75
222822	2-43, 3-77	30013	2-71, 3-21	33401	2-93
22297	2-47	30241	2-9	33807	3-75
223044	2-83	30324	2-79	33924	2-85
223054	2-67	30533	3-15	33925	3-49, 3-51, 3-67, 3-69
223078	2-21	31647	2-107, 2-109	33930	2-59, 2-107, 2-109, 3-31, 3-47, 3-65
223090	2-23	32124	2-51, 3-23	33932	3-41, 3-59, 3-93, 3-111, 4-23
223094	2-23	32129	2-93	33948	2-67
223239	2-23	32483	2-17, 2-47, 2-77, 2-83, 2-87, 2-91, 2-103, 2-105, 2-107, 2-111, 3-9, 3-35, 3-55, 3-73	34195	2-51, 3-23
223264	2-3, 2-4, 2-5, 2-47, 4-5	32485	2-23, 2-75, 2-77, 3-21	35836	2-79, 3-41, 3-59
223320	2-23	32486	2-19, 2-23, 2-29, 2-73, 2-75, 2-77, 2-79, 2-81, 2-89, 3-9, 3-19, 3-21, 3-25	35973	2-77, 2-79
223470	2-71, 3-21	32490	2-23, 2-27, 2-33, 2-35, 2-55, 2-57, 2-77, 2-83, 2-91, 2-103, 2-105, 2-107, 2-109, 3-27, 3-29, 3-81	360181	2-93
223499	2-31	32491	2-11, 2-13, 2-25, 2-35, 2-39, 2-41, 2-71, 2-73, 2-75, 2-77, 2-79, 2-81, 2-83, 2-85, 2-89, 2-91, 2-93, 2-95, 2-101, 2-103, 2-105, 3-17, 3-19, 3-21, 3-25	360352	3-81
223515	3-27			360357	2-73, 3-19
223528	2-31			360369	2-21
223595	3-17			360370	2-21
223599	2-13			360491	2-85
223600	2-23			360518	2-83
223601	2-23			360520	2-17, 3-5, 3-7
223677	4-11			360686	2-3, 2-5, 2-93
223699	2-55			360768	2-87
22655	4-16			360801	2-15, 2-39, 2-43, 2-73, 3-19
22658	4-16			360824	2-91
22661	4-16			360826	2-91
23456	2-31, 3-87, 3-89			360943	3-5, 3-9, 3-77, 3-103
24105	3-75			360973	3-130
24198	3-39, 3-57			360980	2-25
24199	2-49, 3-111			361043	2-99
24254	2-53, 3-25			361076	2-17
24299	2-7, 2-9			361144	2-17
24358	2-45, 3-79, 3-93			361339	2-11, 3-35, 3-55, 3-73
24537	4-6, 4-7, 4-9, 4-10, 4-12, 4-20			361966	4-11
24543	3-77			361971	4-11
24544	2-31, 3-75			361973	4-11
24555	2-69, 3-105, 3-107			363087	2-75, 3-21
24698	3-81			363113	3-25, 3-39, 3-57
24929	2-33			363120	2-59, 3-31, 3-47, 3-65
25014	2-75, 3-21			363151	2-67
25312	3-130			363152	2-59, 3-47
25537	2-21				
25538	2-111				
25620	2-35				
		32501	2-45, 3-79		
		32508	2-45, 3-79		
		32509	4-23		
		32525	2-93		
		32613	2-45, 3-79		
		32614	2-45, 3-79		
		32669	2-45, 3-79		
		32716	2-65, 2-89, 3-105		
		32731	2-85		

# CROSS REFERENCE

Part Number	Page Number	Part Number	Page Number	Part Number	Page Number
363162	3-105	373568	4-19	385726	2-23
363236	2-59	373569	4-19	385742	4-11
363237	2-59, 3-47, 3-65	373570	4-19	385750	2-43
363238	3-31	373571	4-19	385935	2-7, 2-9
363301	3-105	373572	4-19	385936	2-7, 2-9
363385	2-25	374005	4-12, 4-20	385938	2-5, 2-79
363453	2-41	374183	2-79	386024	2-3
363468	3-41, 3-59	374185	2-79	386025	2-3
363617	2-93	374201	2-93, 4-7	386026	2-4
363796	2-3	374204	2-111	386027	2-4
363827	2-83	375176	4-7	386031	2-49
363856	2-71	375213	2-3, 2-4, 2-91	386040	3-47, 3-65
363981	2-81	375301	3-41, 3-59	386043	2-59, 3-31
364085	2-83	375302	2-43, 3-77	386048	2-59, 3-31, 3-47, 3-65
364404	2-59, 3-31, 3-47, 3-65	375308	3-77	386049	2-49
364545	3-75	375322	3-75	386050	3-41, 3-59, 4-9
364587	2-87	375411	2-21	386053	2-4, 3-41, 3-59
364614	2-53, 2-65, 3-105	375426	3-77	386058	3-41, 3-59
364631	2-55, 2-57, 3-27, 3-29	375427	3-77	386062	2-77, 3-41, 3-59
364669	3-93	375429	2-43	386063	3-41, 3-59
364672	2-87	375431	2-31, 3-91	386066	3-41, 3-59
364858	2-59, 3-31, 3-47, 3-65	37555	4-16	386067	2-77, 3-41, 3-59
364895	3-43, 3-61	377084	2-112, 2-113, 3-83	386070	3-39, 3-57
364896	3-43, 3-61	377341	3-111	386071	3-39, 3-57
364899	3-43, 3-61	377349	2-45	386072	3-41, 3-59
365032	3-7	377364	2-51, 3-23	386080	3-41, 3-59
365033	3-7	377398	3-41, 3-59	386081	2-53, 3-25, 3-39, 3-57
365093	2-31	378805	2-77	386088	2-61, 2-63, 3-33, 3-37, 3-49, 3-51, 3-67, 3-69
365096	2-31	378951	2-7	386099	3-39
365156	2-51, 3-23, 3-39, 3-57	378976	2-51, 3-23	386108	2-43
365164	2-55, 2-57	378983	4-3	386109	2-31, 2-43
365180	2-53, 3-25, 3-39, 3-57	37909	4-3	386116	2-41
365252	2-11	37912	4-3, 4-5	386119	2-41
36593	2-93	379120	2-87	386127	2-101
36643	2-77	379202	2-79	386128	2-101
367404	2-83	379217	2-27	386129	2-17
367452	2-85	37926	4-3	386130	2-142
369415	3-111	37929	4-3, 4-5	386149	2-19
369702	2-11	379891	2-91	386150	2-19
369766	2-43, 3-77	381867	2-99	386157	2-11
369795	2-73, 3-19	382452	3-93	386159	2-11
369796	2-73, 3-19	382991	3-77	386160	2-31, 2-43
369865	3-75	383709	2-77, 4-8	386162	2-31
370080	2-7	383720	2-113	386163	3-93
370090	2-7	383721	2-101, 2-112	386200	2-11
370092	2-9	383722	2-101, 3-5, 3-7	386201	2-15
370094	2-7	383723	2-101	386202	2-15
370095	2-9	383724	2-101	386204	2-19
370100	2-69, 3-105, 3-107	383725	2-101	386209	2-19
370156	2-105	383727	2-101	386214	2-19
370923	4-13	383728	2-101	386215	2-19
371905	3-87, 3-89	383835	2-91	386216	2-19
373343	4-16	384207	4-8	386217	2-19
373344	4-16	384256	4-8	38622	3-9
373421	4-17	384257	4-8	386222	2-31
373422	4-16	384258	4-8	386223	2-3, 2-4, 2-43
373423	4-16	384259	4-8	386224	2-31
373495	2-19, 4-19	385666	3-75	386228	2-21
373496	2-19	385682	3-27	386229	2-27
373567	4-19	385685	2-43, 3-77		

# CROSS REFERENCE

Part Number	Page Number	Part Number	Page Number	Part Number	Page Number
386230	2-7	386361	2-77	386555	2-89
386231	2-9	386364	3-93, 4-14	386558	2-25
386234	2-69, 3-105, 3-107	386367	2-29	386563	2-101, 2-111
386240	2-7	386370	2-29	386565	2-13
386241	2-9	386375	2-27	386566	2-83
386250	2-7	386378	2-29	386569	2-87
386251	2-9	386379	2-29	386570	2-83
386252	2-65	386380	2-51	386573	3-117
386256	2-65	386387	2-3, 2-4, 2-51	386574	3-117
386257	3-41, 3-59	386388	2-3, 2-4, 2-51	386575	3-115, 3-117, 3-119,
386260	2-3, 2-4, 2-61, 2-63,	386390	2-61, 2-63, 3-33, 3-37		3-121
	3-33, 3-37, 3-49, 3-51,	386391	2-61, 2-63, 3-33, 3-37	386577	2-81
	3-67, 3-69	386392	3-75, 3-99	386578	2-81
386262	2-63, 3-37, 3-51, 3-69	386393	3-99	386579	2-81
386263	2-61, 3-33, 3-49, 3-67	386394	3-75	386581	2-85
386264	2-69, 3-105, 3-107	386395	3-93	386591	2-85
386266	2-69, 3-107	386413	2-15	386598	2-87
386267	2-3, 2-4, 2-43	386414	2-43	386599	2-87
386268	3-49, 3-67	386415	3-11	386600	2-139
386269	3-49, 3-67	386416	3-11	386601	2-139
386274	3-41, 3-59	386417	3-11	386605	3-7
386275	3-51, 3-69	386419	2-31	386606	3-9
386276	3-51, 3-69	386420	2-31	386607	3-111
386279	2-67	386421	2-31	386608	3-101
386282	3-55	386423	2-45, 3-79	386609	3-5
386283	2-3, 2-4, 2-69, 3-107	386424	2-43	386610	2-107, 2-109
386284	2-3, 2-4, 2-69, 3-107	386425	2-43	386617	2-85
386285	2-69, 3-107	386426	2-79	386621	2-85
386286	2-69, 3-107	386428	2-79	386625	2-85
386290	2-69, 3-107	386429	2-41	386626	2-3, 2-5, 2-85
386298	2-69, 3-105, 3-107	386432	3-93	386628	2-81
386299	2-69, 3-107	386433	2-15	386629	2-81
386303	2-103, 2-105	386437	2-15	386632	3-113
386307	2-111	386444	2-43	386634	2-15
386308	2-111	386445	2-43	386642	3-13
386311	2-17	386450	2-11	386643	2-31
386320	2-31	386458	2-25	386646	3-21
386321	2-47	386459	2-25	386652	3-77
386323	2-3, 2-4, 2-5, 2-47	386461	2-15	386656	2-75, 3-21
386324	2-31	386462	3-93	386657	2-75, 3-21
386325	2-43	386463	2-91	386658	2-75, 3-21
386330	2-43	386475	2-11	386659	2-75, 3-21
386333	2-142	386482	3-93	386660	2-75, 3-21
386334	3-117	386490	3-43, 3-45, 3-61, 3-63	386661	2-73
386335	3-115	386493	3-39, 3-57	386662	3-19
386336	3-119	386495	3-49	386663	2-73, 3-19
386337	3-121	386496	3-51, 3-69	386664	2-73, 3-19
386338	3-125	386500	3-55, 3-73	386666	2-73, 3-19
386344	3-126	386503	3-55, 3-73	386668	3-19
386346	2-17	386504	3-55, 3-73	386675	3-115
386348	2-103, 2-105	386507	3-49, 3-51, 3-67, 3-69	386676	3-115
386349	2-47	386510	3-55, 3-73	386679	2-51, 4-10
386351	2-41	386513	3-73	386686	2-93
386352	2-77	386514	2-5, 3-35, 3-55, 3-73	386687	2-51, 4-12
386353	2-77	386518	3-35, 3-55, 3-73	386687AM	3-23
386354	2-77	386520	3-105	386689	2-87
386355	2-76	386536	2-87	386690	2-87
386356	2-61, 2-63, 3-33, 3-37	386539	2-89	386694	2-87
386359	2-77	386540	2-87	386696	2-87
386360	2-76	386554	2-89	386701	2-19

# CROSS REFERENCE

Part Number	Page Number	Part Number	Page Number	Part Number	Page Number
386702	2-19	386924	2-17	387073	2-13
386703	2-19, 4-16	386932	3-115	387074	2-13
386704	2-95, 4-15	386934	3-117	387075	2-13
386705	2-95, 4-17	386936	3-119	387076	2-13
386711	2-99	386939	3-121	387077	2-13
386752	2-83	386952	3-111	387078	2-13
386753	3-21	386953	3-111	387080	3-25, 3-57
386757	2-11	386954	3-111	387081	2-93
386761	2-15	386958	3-15	387082	2-93
386767	2-13	386961	2-49	387084	2-71
386769	2-13	386962	2-87	387085	3-21
386774	2-13	386963	3-17	387087	2-11
386777	2-13	386968	3-111	387090	2-71
386783	2-89	386969	2-81	387095	2-83
386784	2-89	386970	2-83	387097	2-49
386785	2-43	386971	2-83	387109	3-77
386801	2-87	386972	2-81	387111	2-85
386804	2-107, 2-109	386973	2-15	387113	2-76
386806	2-111	386979	2-13	387119	2-77
386808	2-17, 2-91	386981	2-3	387120	2-79
386809	2-17, 2-91	386982	2-3	387126	3-89
386810	2-103, 2-105	386983	3-13	387127	3-87
386811	2-25, 4-11	386984	3-13	387138	2-11
386816	3-23	386985	2-49	387144	2-89
386825	2-3, 3-23	386986	2-61, 2-63, 3-33, 3-35, 3-37, 3-49, 3-51, 3-67, 3-69	387151	2-75, 3-21
386826	2-3, 3-23			387152	2-79
386827	3-25, 3-57			387153	2-77
386828	2-3, 2-5, 2-85	386987	2-61, 2-63, 3-33, 3-35, 3-37, 3-49, 3-51, 3-67, 3-69	387157	3-5
386829	2-3, 2-5, 2-85			387158	3-9
386833	2-3, 2-4, 3-105			387159	3-77
386834	2-3, 2-4, 3-105	386988	2-49	387160	3-77
386835	3-105	386989	2-91	387161	3-77
386836	3-105	386993	2-15	387162	3-25
386841	3-41, 3-59	386995	2-15	387201	2-45
386842	3-41, 3-59	386997	2-89	387208	3-9
386844	3-39, 3-57	386998	2-89	387213	3-87
386847	2-67, 3-105	386999	2-89	387221	3-87
386860	2-69, 3-107	387000	3-113	387225	3-77
386861	3-105	387003	3-91	387226	3-77
386865	3-39, 3-57	387010	2-29	387230	3-25
386868	3-49, 3-51, 3-67, 3-69	387014	2-3, 2-29	387233	2-85
386874	3-57	387015	3-129	387234	2-85
386875	3-13	387019	2-83	387235	2-85
386876	3-25, 3-57	387023	2-3, 2-4	387236	3-77
386890	2-79	387027	3-111	387237	2-69, 3-105, 3-107
386891	2-77	387032	2-142	387245	3-25, 3-57
386894	2-79	387035	2-25	387250	4-9
386897	2-77	387036	2-89	387251	4-9
386900	2-79	387040	2-11	387253	3-53, 3-55
386905	2-73, 3-19	387041	2-11	387254	3-71, 3-73
386908	2-83	387043	3-111	387256	2-5, 3-35, 3-55, 3-73
386909	2-75, 3-21	387045	3-77	387257	2-69, 3-107
386910	2-73	387049	3-93	387258	3-105
386911	2-11	387050	3-101	387262	3-103
386915	2-27	387055	2-3, 2-79	387266	3-77
386919	2-91	387059	2-3, 2-77	387268	2-85
386920	2-111	387061	2-31, 3-77	387271	3-67
386921	2-111	387068	2-142	387274	2-85
386922	2-111	387071	2-13	387275	2-85
386923	2-11	387072	2-13	387279	2-89



# CROSS REFERENCE

Part Number	Page Number	Part Number	Page Number	Part Number	Page Number
387281	2-99	387426	2-67	387609	4-15
387282	2-99	387429	2-67	387610	4-15
387283	2-91	387430	2-67	387615	2-43
387284	2-91	387431	3-105	387622	3-119
387294	2-3, 2-4, 2-51	387432	2-67	387623	3-121
387295	2-83	387433	2-69, 3-105, 3-107	387634	2-101
387296	2-85	387435	3-105	387636	2-101
387300	3-7	387436	3-105	387637	2-101
387301	3-5	387438	2-69, 3-105, 3-107	387639	2-105
387302	2-139	387441	3-111	387640	2-101
387317	3-21	387442	2-81	387641	2-109
387319	2-83	387446	3-105	387648	2-105
387320	2-77, 2-79	387447	3-105	387654	2-11
387321	3-99, 4-13	387448	2-69, 3-107	387656	2-27
387335	2-87	387452	2-103, 2-105	387659	2-25
387340	3-75	387453	2-101	387660	2-3, 2-25
387344	3-9	387454	2-19	387671	3-53
387345	2-87	387457	3-130	387672	3-71
387346	2-25	387467	3-79	387684	2-31
387347	2-87	387468	2-71, 3-21	387686	2-43
387348	2-15	387470	2-79	387700	2-23
387349	2-93	387472	2-87	39005	2-27, 2-29, 2-53, 2-59, 2-67, 2-73, 2-75, 3-19, 3-21, 3-25, 3-31, 3-39, 3-47, 3-57, 3-65
387351	2-95	387476	2-71	390879	2-75, 3-21
387354	4-11	387477	2-81	390880	2-65
387355	4-11	387478	3-21	390992	2-81
387356	4-11	387483	3-89	391433	4-21
387357	4-11	387496	3-131	391451	2-31
387358	4-11	387498	2-83	391953	2-17
387359	4-11	387499	2-47	39277	2-11, 2-73, 2-83, 2-93, 3-5, 3-7, 3-19
387361	2-11	387500	2-69, 3-105, 3-107	39278	2-81, 2-87
387371	4-10	387507	2-4	39281	2-79
387372	4-10	387509	3-35	39283	2-83
387373	4-10	387516	3-35	39284	2-23, 2-79, 3-87, 3-89
387374	4-10	387517	2-5, 3-35, 3-55, 3-73	39308	2-23, 2-59, 3-31, 3-47, 3-65
387376	2-93	387520	2-142	39309	2-89
387380	2-41	387525	2-142	39311	2-107, 2-109
387382	2-41	387529	2-111	39312	2-23, 2-79
387383	2-91	387542	2-91	39323	3-41, 3-59
387384	2-91	387543	2-91	39338	2-93
387385	2-91	387545	2-4, 3-35	39348	2-107, 2-109
387386	2-91	387546	2-4, 3-35	39349	2-27, 2-71, 2-77, 2-79, 2-103, 2-105, 3-5, 3-7, 3-21, 3-111
387387	2-93	387585	2-51, 4-20	39350	2-83
387392	2-23	387587	4-20	39527	2-77
387393	2-19	387588	4-20	39717	2-23
387397	2-85	387589	4-20	397916	2-9
387398	2-85	387590	4-20	397920	2-7
387399	2-85	387592	4-20	397976	2-9
387400	2-85	387593	2-43	39807	3-9
387402	2-79	387597	4-15	398285	3-122
387403	2-77	387598	4-15	398288	3-123
387404	2-91	387599	4-15	398291	3-127
387405	2-75, 3-21	387600	4-15	398292	3-124
387406	2-5, 2-83	387601	4-15	398468	2-33
387407	2-5, 2-83	387602	4-15		
387408	2-5, 2-93	387603	4-15		
387413	2-5, 2-83	387604	4-15		
387422	3-101	387605	4-15		
387423	2-139	387606	4-15		
387424	2-139	387607	4-15		
387425	2-41	387608	4-15		

# CROSS REFERENCE

Part Number	Page Number	Part Number	Page Number	Part Number	Page Number
398501	3-75	45595	2-111	57248	2-39
398511	4-5	45628	4-16	57379	2-31
398512	4-5	45888	2-87	57598	2-73, 3-19
398513	4-5	46390	3-41, 3-59	578060000	3-97
398514	4-5	46390AM	2-76, 2-79	578061000	3-97
398515	4-5	46563	2-27	578063000	3-97
398516	4-5	48589	3-128	578064000	3-97
398517	4-5	48591	3-128	578066000	3-97
398518	4-5	48609	3-95, 3-103	578071000	3-95
398519	4-5	48610	2-57, 3-29, 3-45, 3-63, 3-99	578072000	3-95
398520	2-47, 4-5	48732	3-41, 3-59	578074000	3-97
398526	2-112, 2-113, 3-9	48733	3-87, 3-89	578077000	3-97
398802	3-35	48734	3-87, 3-89	578078000	3-97
40566	2-55, 2-57, 3-27, 3-29, 3-43, 3-45, 3-61, 3-63	48753	4-11	578091000	3-97
40607	2-47	48754	4-11	578094000	3-97
40678-1	2-55, 2-57, 2-87, 3-81	48755	4-11	578123000	3-97
40814	2-53, 3-25, 3-39, 3-57	48758	4-11	578124000	3-97
41178	2-13, 2-79	49142	3-27	578125000	3-97
41186	2-51, 3-23	49177	2-21	578126000	3-97
41187	2-25	49263	2-51, 3-23	578143000	3-97
41305	3-49, 3-51, 3-67, 3-69	49266	2-21, 2-55, 2-57, 2-83, 2-91, 3-5, 3-9, 3-27, 3-29, 3-77, 3-101	578154000	3-97
41315	3-43, 3-61	49694	3-25, 3-57	578155000	3-97
41341	2-75, 3-21	49697	2-15, 2-91	578160000	3-95
41342	2-81, 2-103, 2-105	49740	2-31	578161000	3-97
41345	2-11, 2-25	49745	2-31	578164000	3-97
41359	2-81, 2-83, 2-107	49800	2-15	578214000	3-97
41360	2-77	49826	3-45, 3-63, 3-77	578228000	3-97
41367	4-9	49914	2-75, 3-21	578276000	3-95
41368	4-9, 4-10	50388	2-77, 2-79	578318000	3-95
41371	4-9, 4-10	51103	2-81	578439	3-97
41401	2-111	51109	2-27	578820000	3-95
41410	3-75	51225	2-49	578821000	3-97
41421	2-45, 3-79	51338	3-129	578856	4-23
41430	2-23, 3-13, 3-15	51338AM	2-29	579112	3-97
41451	2-45, 3-79	51339	2-29	57984	2-19
41454	2-45, 3-79	51414	2-83	58327	2-3, 2-5, 2-77
41561	2-93	51528	2-75, 3-21	58359	2-87
41579	2-7, 2-9, 3-93, 4-23	51534	2-67	58494	2-59, 3-31, 3-47, 3-65
41619	2-49, 2-69, 3-105, 3-107	51564	2-89	59009	2-27
41702	2-103, 2-105	51727	2-81	59542	2-87
42011	2-41	51813	3-105	59661	3-51, 3-69
42120-1	2-87	53268	2-33	59840	2-87
42133A	2-31	53466	2-35	59940	2-19
43290	2-49	53782	2-67	60189	4-9
43454	3-83	54333	2-33, 2-35, 2-37, 2-39, 2-55, 2-57, 3-27, 3-29, 3-45, 3-63, 3-81, 3-99	602036000	3-97
43500	2-67	54390	2-29	60278	2-139
43555	2-33	54577	2-29	603103000	2-111
43844	3-81, 3-93	54620	2-89	60386	4-3, 4-5
43957	2-25	54743	2-15	607775	4-23
44078	2-17	54995	2-87	61297	4-3, 4-5
44681-1	3-5, 3-7	55685	2-19	61298	4-3
44681-2	3-5, 3-7	56185	2-19	61300	4-3, 4-5
44681	3-5, 3-7	56398	2-19	61301	4-3
44906	3-19	56690	2-19, 2-95	613735	2-35
44961	2-55, 2-57, 3-27, 3-29	56992	2-87	61791	2-25
45272	3-5, 3-7			621478	3-41, 3-59
45283	3-5, 3-7			630164	3-81
45391	3-9			63147	2-59, 3-47
				63184	3-99
				63244-1	3-75

# CROSS REFERENCE

Part Number	Page Number	Part Number	Page Number	Part Number	Page Number
63244-2	3-27, 3-75	71607	2-61, 2-63, 3-33, 3-37, 3-49, 3-51, 3-67, 3-69	78553	2-17
63248-1	2-9	71658	2-67	78740	2-31
63248-2	2-9	72164	3-9	78842	2-31
63248-3	2-9	72171	3-9	78950	4-13, 4-21
63248-4	2-9	72172	3-9	78951	4-13, 4-21
63416	2-31, 3-77	72174	3-9	78952	4-21
63430	3-103	72174	3-9	78979	2-65
63448	3-103	72439	3-49, 3-67	79217	2-65
63451	3-103	72897	2-87	79273-1	2-37, 2-39, 3-81, 3-99
63740	2-109	72898	2-87	79273-2	2-31, 3-75
63810	2-55, 2-57, 3-27, 3-29, 3-75, 3-77	72899	2-87	79273-4	2-55, 2-57, 3-27, 3-45, 3-63
63923	4-14	72946	2-53, 3-25, 3-31, 3-39, 3-57	79320	2-3, 2-4, 2-5, 2-45, 3-79
63987-1	2-55, 2-57, 3-27, 3-29	72950	3-27	79350	2-41
64425	2-61, 2-63, 2-67, 3-33, 3-37, 3-49, 3-51, 3-67, 3-69	72968	2-51, 3-23, 3-101, 3-103	79497	3-75
64489	2-75, 3-21	73077	2-87	79572	3-45, 3-63
64533	2-13, 2-71	73467	3-93	79711	4-17
64743	2-37, 2-39, 3-81	73468	3-75	79716	4-17
64778	2-37, 2-39, 3-45, 3-63, 3-81	73474	2-55, 2-57, 3-27, 3-43, 3-61	79728	4-17
65340	3-97	73475	3-75	79731	4-17
65341	3-95	74027	2-83	79739	4-17
65342	3-99	74098	4-17	79740	4-17
65580	3-101, 3-103	74114	4-19	80127	2-73, 3-19
65581	3-99	74142	2-19	80235	2-81
65582	3-97	74196	4-19	80487	2-81
65610	3-97	74231	4-19	80491	2-61, 2-63, 3-33, 3-37
65665	2-17	74232	4-19	81710	2-77
65667	4-13	74243	4-19	81751	2-73
65668	4-13	74244	4-19	81767	3-19
65670	4-13	74245	4-19	81771	3-59
65671	4-13	74454	2-93	81818	2-79, 3-41
65672	4-13	74455	2-23, 3-87, 3-89	81919	2-73, 3-19
65673	4-13	75611	2-31, 2-45, 3-75	81922	2-103, 2-105
65674	4-13	75635	3-87, 3-89	81952	2-65
65675	4-13	75939	2-111	82829	2-15, 3-81
65676	4-13	76062	2-103, 2-105	82839	2-23
65677	4-13	76316	2-95	83052	3-41, 3-59
65678	4-13	763504	4-16	83733	2-29
66211	2-29	763508	4-16	83874	2-69, 3-105, 3-107
66213	2-3, 2-4, 2-29	76570	2-71, 2-79, 2-85, 3-21, 3-81	84028	2-55, 2-57, 3-27, 3-29, 3-43, 3-45, 3-61, 3-63
67004	3-77, 3-101, 3-103	76653	2-61, 2-63, 3-33, 3-37	84057	3-99
67767	2-11, 2-59, 3-27, 3-29, 3-31, 3-47, 3-65	77001	4-17	84593	2-65
68106	2-91	77003	4-17	86333	2-75
69234	3-43, 3-45, 3-61, 3-63, 3-77	77003	4-17	86375	2-103
69582	2-27	77097	2-87, 2-95	86393	2-107
69785	2-31	77227	2-65	86508	3-75
70158	2-29	77228	2-65	86636	2-31, 3-93
70161	2-29	77270	3-31, 3-65	86759	2-61, 2-63, 3-33, 3-35, 3-37, 3-49, 3-51, 3-67, 3-69
70709	2-19	77272	2-65	86767	3-103
70717	2-89	77275	3-39, 3-57	86824	3-27
70756	3-49, 3-67	77276	3-39, 3-57	86860	2-27, 2-73, 3-19
71026	2-103	77277	3-39, 3-57	86866	2-61, 2-63, 3-33, 3-35, 3-37
71100	2-67, 3-105	77334	3-27, 3-29	87147	2-87
71101	2-3, 2-4, 2-67	77347	2-31, 2-43	87172	2-73, 3-19
71529	2-107	77488	2-67	87173	3-81
		77605	2-79		
		78122	3-99		
		78398	3-45, 3-63, 3-75		

## CROSS REFERENCE

<b>Part Number</b>	<b>Page Number</b>
87244	3-55, 3-73
87299	2-93
87308	2-91
87346	2-11
87349	2-103, 2-105
87355	2-25
87419	2-7, 2-9
87482	2-103
87483	2-103, 2-107
87507	2-103
87546	2-91
87709	3-5, 3-7
87725	2-23
87750	2-25
87816	2-61, 2-63, 3-33, 3-37, 3-49, 3-51, 3-67, 3-69
87838	2-93
87839	2-25
87840	2-25
87841	2-25
87849	2-25
87948	2-11
87949	2-11
9001397	3-108
9001398	3-109
9002022	2-39
9003008	4-24
9003009	4-24
9006118	2-39, 4-24
9006119	4-24
9006159	4-23
9006210	3-81
9006257	3-131
9006268	4-23
9006270	4-23
9006325	4-23

## PART DESCRIPTION TO PAGE NUMBER CROSS REFERENCE LIST

A	B	
Actuator, 36Vdc, 01.8 Stroke 300Lb, 3-21	Bag, Power, 3-101, 3-103	Block, Adj, 2-75, 3-21
Actuator, 36vdc, 01.8stroke 300lb, 2-75	Ball, Check, Strg Valve, 4-19	Bolt, Carriage, .38-16 X 2.00, 2-77
Actuator, 36vdc, 02.1stroke 500lb, 2-67	Ball, Check, 4-15	Bolt, Eye, M10x1.5 X 2.0 X .28 Eye, 2-67, 3-105
Actuator, 36vdc, 02.7stroke 500lb, 2-59, 3-47	Balljoint, .25-28 Fem/.25-28mal, 2-23	Bolt, Eye, M8 X 1.25, 2.75l, 2-61, 2-63, 3-33, 3-37, 3-49, 3-51, 3-67, 3-69
Actuator, 36vdc, 05.0stroke 600lb, 2-81	Bar Assy, Spray [7300/8300], 3-63	Bolt, Shld, .38DX0.38, .31-18, 3-111
Actuator, 36vdc, 7.0stroke, 700lb, 2-49	Bar Wldt, Battery, R/O, 3-111	Bolt, 2-25
Actuator, Mount, 2-81	Bar Wldt, Flap, Lh, 2-85	Boot, 90deg .50d .57d X .84, 2-25
Actuator, Rollout, 2-89	Bar Wldt, Flap, Rh, 2-85	Boot, Circuitbreaker, 3-81
Adapter, Brush, 2-73, 3-19	Bar Wldt, Retainer, Sqge, Rear, 2-69, 3-105, 3-107	Boot, Protector, Circuitbreaker, 2-101
Adaptor, Brush, 2-7, 2-9	Bar, 2-31, 2-43	Box, Accelerator, 2-23
Adaptor, 3-97	Battery Kit, Wet, 36vdc 0500ah, Ci, 3-115	Box, Circuitboard, 2-111
Alarm Assy, Backup, 12-48vdc 82-102dba, 3-9	Battery, 36vdc 1000Ah Wet, 3-121	Brace, Hppr, External, 2-83
Alarm, 9-48vdc, 95 Db(A) [Ec-H20], 3-81	Battery, 36vdc 750ah Wet, 3-119	Brace, Hppr, Internal, 2-83
Alarm, Warning, 10-48vdc, 2-17	Battery, 36vdc, 600ah, Sealed, 3-117	Bracket Wldt [7300/8300 FaST], 2-35
Angle, 1.00 0.75 .12t 00.8l Hr, 3-33	Battery, Wet, 36vdc 0500ah, 3-115	Bracket Wldt [7300/8300-FaST], 2-35
Angle, Battery, R/O, 3-111	Bearing Assy, 2-93	Bracket Wldt [7300/8300 Fast li+], 2-39
Angle, Bumper, Mtg, Lh, 3-21	Bearing cover, 4-13	Bracket Wldt, Module, 3-81
Angle, Bumper, Mtg, Rh, 2-83	Bearing Kit, 4-6, 4-7, 4-8, 4-19	Bracket Wldt, Mtg, Fan, 2-47
Angle, Cable, Keeper, 2-81	Bearing, Ball, 0.59b 1.26d 0.35w, 2-77	Bracket Wldt, Mtg, Guard, Side Brush, 2-73
Angle, Cable, Keeper, 2-81	Bearing, Ball, 0.67b 1.57d 0.47w, 2-93	Bracket Wldt, Mtg, Motor, [8300], 2-73
Angle, Mtg, Es, 3-75, 3-99	Bearing, Ball, 0.79b 1.85d 0.55w, 2-76, 2-79, 3-41, 3-59	Bracket Wldt, Mtg, Spring, 2-61, 3-33
Angle, Mtg, Fltr Shaker, 2-91	Bearing, Ball, 1.00b 2.00d 0.50w, 2-87	Bracket Wldt, Pivot, 2-65
Angle, Mtg, Front, 2-85	Bearing, Cone, 1.38b 0.71w, 2-29	Bracket Wldt, Steering, Tilt, 2-19
Angle, Mtg, Pump, Detergent, 3-93	Bearing, Cup, 2.56D 0.55W, 3-129	Bracket Wldt, Tank, 2-43
Angle, Rh, 2-11	Bearing, Cup, 2.56d 0.55w, 2-29	Bracket Wldt, 2-41
Angle, Wand, Clean-Out, 3-77	Bearing, Flange, 2-19	Bracket, Adaptor, Mtg, Kick In, Frame, 3-25, 3-57
Angle, 2-81, 2-83, 2-93, 2-95, 3-43, 3-45, 3-53, 3-55, 3-61, 3-63, 3-71, 3-73	Bearing, Needle, 0.25b 0.88d 0.50w, 3-111	Bracket, Bearing, Mtg, 2-79
Arm Assy, Flap, Lower, 2-85	Bearing, Self Align, 1.25b 2.00d, 2-87	Bracket, Bearing, 2-79
Arm Wldt, Brush (Replaced by 374186), 2-79	Bearing, Sleeve, 0.62od, 2-85	Bracket, Bumper, 2-83
Arm Wldt, Brush, Idler, 2-79	Bearing, Sleeve, 1.25id, 2-87	Bracket, Cable Cntrl, 2-41
Arm Wldt, Brush, 2-76, 2-77, 2-79	Bearing, Sleeve, 1.75id, 2-87	Bracket, Cntrl, Water, 2-41
Arm Wldt, Flap, 2-85	Bearing, Thrust, 0.66b 1.25d 0.06w, 2-65, 2-67, 2-75	Bracket, Component, 3-81
Arm Wldt, Front, Lh, 3-51, 3-69	Bearing, Thrust, 0.75b 1.25d 0.06w, 2-67	Bracket, Fan End, 4-5
Arm Wldt, Front, Rh, 3-49, 3-67	Bearing, Thrust, 2-27, 2-73, 3-19, 4-16	Bracket, far End, 4-3
Arm Wldt, Lift, Hopper, W/ Label, [8300], 2-87	Bearing, W/ Collar, 0.75b 1.85d 1.06w, 2-77, 2-79	Bracket, Full, 2-31, 3-77
Arm Wldt, Lift, Scrub Head, [7300], 2-49	Bearing, 2-25, 4-3, 4-5, 4-6, 4-8, 4-9, 4-10, 4-11, 4-12, 4-20	Bracket, Guard, 2-41
Arm Wldt, Pivot, Side, [7300/8300], 2-59, 3-31, 3-47, 3-65	Bellcrank, Head Lift, 2-49	Bracket, Hopper, Lh, 2-87
Arm Wldt, Rear, Lh, 3-51, 3-69	Belt, Drive (Cylindrical Brush), 3-41, 3-59	Bracket, Hopper, Rh, 2-87
Arm Wldt, Rear, Rh, 3-49, 3-67	Belt, Drive, 2-4	Bracket, Latch, Door, 2-11
Arm Wldt, 2-67, 2-89	Belt, V, [3v] 33.5l, 2-3, 2-5, 2-93	Bracket, Lh, 2-11
Arm, Cntrl, Throttle, Electronic, 2-23	Belt, V, [Hc41] 41.0l, 2-3, 2-5, 2-77	Bracket, Motor, Mtg, 2-73, 3-19
Arm, Latch, 3-49, 3-51, 3-67, 3-69	Belt, V, 2-77	Bracket, Mtg [Fast li+], 2-39
Arm, Mtg, Side Sqge Frame, Ele, 2-61, 2-63, 3-33, 3-37	Blade Assy, Sqge, Side, 2-4, 3-35	Bracket, Mtg, Circuitbreaker, [Hi-Mag], 2-101
Arm, Safety W/ Label, [8300], 2-87	Blade Kit, Sqge, Ure, [Mp1000], 3-108	Bracket, Mtg, Controller, Sgl, 2-105
Arm, 2-85	Blade Kit, Sqge, Ure, [Mp1200], 3-109	Bracket, Mtg, Es, 3-75
Armature and Fan Assembly, 4-11	Blade, Sqge, Front 48.0l, 2-3, 2-4, 3-105	Bracket, Mtg, Pump, Detgt [7300/8300], 2-35
Armature Assy, Complt, 4-9	Blade, Sqge, Front, Mp1000, Tile, 2-69, 3-107	Bracket, Mtg, Relay, 2-105
Armature Fan, 4-11	Blade, Sqge, Front, Mp1200, Tile, 3-105	Bracket, Mtg, Tank, 2-31, 2-43
Armature, 4-3, 4-5	Blade, Sqge, Front, 2-3, 2-4, 2-69, 3-107, 3-108, 3-109	Bracket, Mtg, Valve, Solenoid, 2-33
Assy, Rod-End, .50, 4-23	Blade, Sqge, Rear 48.0l, 2-3, 2-4, 3-105	Bracket, Mtg, 2-11, 3-5, 3-9, 3-97
Axle, Wand, 3-97	Blade, Sqge, Rear, 2-3, 2-4, 2-69, 3-107, 3-108, 3-109	Bracket, Panel, 2-25
	Blade, Squeegee, 2-4, 3-35, 3-97	Bracket, Pivot, 2-75, 3-21
		Bracket, Power Wand, 3-99
		Bracket, Protector, Float Switch, 2-43, 3-77
		Bracket, Retainer, Filter, 2-43

## CROSS REFERENCE

- Bracket, Retainer, Spring, 2-7, 2-9  
Bracket, Retaining, Filter, 2-43  
Bracket, Retaining, Tank, Detgt, 3-93  
Bracket, Retaining, 2-43  
Bracket, Rh, 2-11  
Bracket, Sppt, Auto Fill, 3-75  
Bracket, Spray Bar, 40" [7300/8300], 3-45  
Bracket, Spray Bar, 48" [7300/8300], 3-63  
Bracket, Stop, Frame, 2-51, 3-23  
Bracket, Switch, 2-83  
Bracket, Tube, Tee, 3-35, 3-55, 3-73  
Bracket, Valve, Large, 4-23  
Bracket, 2-15, 2-75, 2-93, 3-21, 3-25, 3-97  
Brake Assy, 2-29  
Brake Repair Kit, 2-29  
Brake Shoes, 2-29  
Brush, 4-20  
Brush Assy, Disk, Scb, 16.0 D, Pyp, 2-9  
Brush Assy, Disk, Scb, 16.0D, Nylon, 2-9  
Brush Assy, Disk, Scb, 16.0D, Super Abrasive, 2-9  
Brush Assy, Disk, Scb, 20.0 D, Nyl, 2-7  
Brush Assy, Disk, Scb, 20.0 D, Pyp, 2-7  
Brush Assy, Disk, Scb, 20.0 D, Super Abr, 2-7  
Brush Holder Assy, 4-10  
Brush Holder Cap, 4-6, 4-7  
Brush Kit, 4-6, 4-7, 4-10, 4-12  
Brush Mechanism, 4-5  
Brush mechanism, 4-3  
Brush Palte, 4-11  
Brush, Block, Scrub, Ab, 3-97  
Brush, Block, Scrub, Poly, 3-97  
Brush, Board, Assy, 4-20  
Brush, Carbon, 3-41, 3-59  
Brush, Conveyor, Cyl, 35l, 4sr, 2-5  
Brush, Disk, Swp, 19.0D, Pyp (Option), 2-7, 2-9  
Brush, Motor, Ele, 4-11  
Brush, Scrub, 39l, 20sr, Nyl, Spl, 2-7  
Brush, Scrub, 39l, 20sr, Pyp, Spl, 2-7  
Brush, Scrub, 39l, 20sr, Super Abr, Spl, 2-7  
Brush, Scrub, 47l, 20sr, Nyl, Spl, 2-9  
Brush, Scrub, 47l, 20sr, Pyp, Spl, 2-9  
Brush, Scrub, 47l, 20sr, Super Abr, Spl, 2-9  
Brush, Swp, 36l, 6dr, Spl, 2-7, 2-9  
Brush, Swp, 36L, Window, Pp, Spl, 2-7, 2-9  
Brush&Spring Assy, 4-6, 4-7  
Brush/rectifier Assy, 4-13  
Brush, 4-8, 4-9  
Brushholder, Motor, Ele, 2-73, 3-19  
Bumper Wldt, Lh, 2-83, 3-21  
Bumper Wldt, Rh, 2-83  
Bumper Wldt, 2-83, 3-21  
Bumper, Neo, 1.5d .63t .31h, 2-53, 2-65, 3-105  
Bumper, Poly-E, 2-69, 3-105, 3-107  
Bumper, Posi Drain, Recvy Side, 3-87, 3-89  
Bumper, Pye, 2-51, 3-23, 3-39, 3-57  
Bumper, Rbr, 1.00d 0.38t .25-20, 2-13  
Bumper, Rbr, 1.19d .72l, 2-49  
Bumper, Rbr, 2.0d 0.75t .38-16, 3-49, 3-67  
Bumper, Rear, Lh, 3-11  
Bumper, Rear, Rh, 3-11  
Bumper, Side, Scb Head, Wide, 3-25, 3-57  
Bumper, Sqge, 2-69, 3-105, 3-107  
Bumper, 3-39, 3-57  
Busbar, .06 0.6w 2.5l 2/.28h, 2-103, 2-107  
Busbar, Fuse, .6 0.6w 0.8h 2.0l, 2-103  
Bushing Assy, Flng, 2 Hole, 0.50b, 2-19  
Bushing Assy, Flng, 4 Hole, 1.57b, Stl, 2-93  
Bushing, Flng, 0.50b 0.59d 0.38l, 2-49, 2-75, 2-85  
Bushing, Flng, 0.63b 0.72d 0.25l, 2-41, 2-49, 2-59, 3-31, 3-47, 3-65  
Bushing, Flng, 0.63b 0.75d 0.38l, 2-61, 2-63, 3-33, 3-37, 3-49, 3-51, 3-67, 3-69  
Bushing, Flng, 1.00b 1.13d 0.38l, 2-29  
Bushing, Flng, 1.50B 0.59D 0.38L, 3-21  
Bushing, Flng, 1.50b 1.65d 1.00l, 2-89  
Bushing, Light, Led, 3-83  
Bushing, Sleeve, 0.37b 0.50d 0.50l, 2-27  
Bushing, Sleeve, 0.50b 0.59d 0.25l, Bnz, 2-85  
Bushing, Sleeve, 0.63b 0.72d 0.25l, 2-85  
Bushing, Sleeve, 0.63b 0.72d 0.38l, 2-61, 2-63, 3-33, 3-37, 3-49, 3-51, 3-67, 3-69  
Bushing, Sleeve, 0.88b 1.00d 0.75l, Bnz, 2-87  
Bushing, Taper Lock, 2-19  
Button, Plug, 0.50H .03-.12 [Black Nyl], 2-87  
Button, Plug, 1.1 X 1.1h, Black, Plstc, 2-17
- C**
- Cable, .12d, 13.3l, .2clevis/.2clevis, 2-3, 2-4, 2-67  
Cable, .13d, 10.0l, .51eye /.51eye, 2-73, 3-19  
Cable, .13d, 15.5l, .50eye /.50eye, 2-59, 3-31, 3-47, 3-65  
Cable, Brush, Lift, 2-81  
Cable, Flap, Lift, 2-81  
Cable, Pull, 2-27  
Cable, Push Pull, 2-41  
Cable, Ribbon, 34 Conductor, 2-17  
Cable, Safety, Battery, 3-111  
Cam, Front, 3-41, 3-59  
Cam, Rear, 2-69, 3-41, 3-59, 3-105, 3-107  
Cam/bearing/Diaphragm Kit, 4-13  
Cam, 2-69, 3-105, 3-107  
Cap Assy, 3-87  
Cap, Brush, Motor, Ele, 2-73, 3-19  
Cap, Brush, 3-19  
Cap, Dust, 3-87, 3-89  
Cap, End, 4-16, 4-19  
Cap, Hub 2.567 Hole, 2-29  
Cap, Neoprene Black, 2-67, 3-27  
Cap, Plastic, 2-31  
Cap, Screw Cl, 4-16  
Cap, Tank, Drain, 2.25 Thread Pye, 2-45, 3-79  
Cap, Tank, Drain, 3.85 Thread Pye, 2-45, 3-79  
Cap, Tank, Drain, 6.17 Thread Pye, 2-31, 3-87, 3-89  
Cap, Tank, 2-45, 3-79, 3-93  
Cap, Tube, 2-19  
Cap, Vyl, .234id .750l .04, 2-15  
Capacitor, Plug [.01 Uf, 200v], 3-83  
Caster Kit, Sqge, Replmt, 2-65  
Chain, Arm, 2-89  
Chain, Coil, Str, #210, 09.0l 07 Link, 2-67  
Chain, Drive, 2-89  
Chain, Roller, #40 X 109 Pitches, 2-19  
Chain, Sash, #35, 07.2l 13 Link, 3-87, 3-89  
Channel Wldt, Steering, 2-11  
Channel Wldt, 2-65, 2-69, 2-85, 3-105, 3-107  
Channel, Battery, R/O, 3-111  
Channel, Harness, 2-43  
Channel, Spring, 2-67  
Channel, Stop, Lh, 3-105  
Channel, Stop, Rh, 3-105  
Channel, 2-31, 2-43, 2-75, 3-21  
Charger, 36V, 210A, 60Hz, 3Ph, 3-127  
Charger, 36V/120A 60H/1Ph 480V, 3-122  
Charger, 36V/120A 60H/3Ph 480V, 3-123  
Charger, 36V/150A 60Hz, 3-124  
Charger, 36V/93A 60Hz, 1Ph, Sealed, 3-125  
Charger, 36V/93A 60Hz, 3Ph, Sealed, 3-126  
Check valve assy, 4-13  
Chrome Pltd Cam Shaft, 2-29  
Circuitboard, Assy, [7300/8300], 2-111  
Circuitboard, Pedal, 2-23  
Circuitboard, Sweeper, [8300], 2-111  
Circuitbreaker, 10.0a, 2-101, 2-112  
Circuitbreaker, 15.0a, 2-101  
Circuitbreaker, 20.0a, 2-101  
Circuitbreaker, 25.0a, 2-101  
Circuitbreaker, 40.0a (Power Steering Option), 2-101  
Circuitbreaker, 50.0a (Center Brush Option), 2-101  
Circuitbreaker, 05.0A, Resetable, 2-113  
Circuitbreaker, 15.0 A, 3-5, 3-7  
Circuitbreaker, 2.0a, Resetable, 3-81  
Circuitbreaker, 20.0a [Resetable], 2-101  
Circuitbreaker, 30.0a, Resetable, 2-101  
Circuitbreaker, 40a, (Max Prot 1000 Disk W/Std Motor), 2-101  
Circuitbreaker, 40a, (Max Prot 1200 Disk), 2-101  
Circuitbreaker, 45a, (Max Prot 1000 Cylindrical), 2-101  
Circuitbreaker, 45a, (Max Prot 1000 Disk W/Hd Motor), 2-101  
Circuitbreaker, 45a, (Max Prot 1200 Cylindrical), 2-101

Circuitbreaker, 50.0a, 2-101  
 Circuitbreaker, 30.0a, 2-101  
 Clamp Wldt, Front 48.0l, 3-105  
 Clamp Wldt, Front, 2-69, 3-107  
 Clamp Wldt, Rear 48.0l, 3-105  
 Clamp Wldt, Rear, 2-69, 3-107  
 Clamp, Cable, Stl, 0.38d X 0.38w, 1h, 3-5, 3-9  
 Clamp, Cable, Stl, 0.56d X 0.38w, 1h, 2-49  
 Clamp, Cable, Stl, 0.63d X 0.75w, 1h, 2-15  
 Clamp, Cable, Stl, 0.63d X 0.75w, 1hole, 3-81  
 Clamp, Cable, Stl, 0.69d X 0.62w, 1h, 2-11, 2-59, 3-27, 3-29, 3-31, 3-47, 3-65  
 Clamp, Cable, Stl, 0.75d X 0.75w, 1h, 3-45, 3-63  
 Clamp, Cable, Stl, 0.88d X 0.62w, 1h, 2-55, 2-57, 2-87  
 Clamp, Cable, Stl, 0.88d X 0.62w, 1hole, 3-81  
 Clamp, Cable, Stl, 1.00d X 0.62w, 1h, 3-43, 3-45, 3-61, 3-63, 3-77  
 Clamp, Cable, Stl, 1.50d X 1.00w, 1h, 2-35  
 Clamp, Hose .40 - .42 2 Wire, 2-35  
 Clamp, Hose, Plstc, 1.60d X 0.62w, 2-45, 3-79  
 Clamp, Hose, Wir, .52 - .56, Yel, 4-23  
 Clamp, Hose, Wir, .63 - .66, Blk, 4-23  
 Clamp, Hose, Wormdrive, 0.25-0.62d, .31w, 3-81  
 Clamp, Hose, Wormdrive, 0.25-0.62d, 3-93  
 Clamp, Hose, Wormdrive, 0.31-0.88d, .31w, 2-39, 2-55, 3-81  
 Clamp, Hose, Wormdrive, 0.31-0.88d, 2-33, 2-35, 2-37, 2-57, 3-27, 3-29, 3-45, 3-63, 3-99  
 Clamp, Hose, Wormdrive, 0.50-1.06d, 3-27  
 Clamp, Hose, Wormdrive, 0.56-1.06d, .56w, 2-55, 2-57, 3-27, 3-29, 3-77  
 Clamp, Hose, Wormdrive, 0.56-1.06d, 3-75  
 Clamp, Hose, Wormdrive, 0.81-1.50d, 2-4, 2-31, 2-55, 3-35, 3-43, 3-45, 3-55, 3-61, 3-63, 3-73  
 Clamp, Hose, Wormdrive, 1.56-2.50d, 2-47  
 Clamp, Hose, Wormdrive, 1.62-3.50d, 2-33  
 Clamp, Hose, Wormdrive, 1.81-2.75d, 3-55, 3-73  
 Clamp, Hose, Wormdrive, 2.50-3.50d, .50w, 3-81  
 Clamp, Hose, 3-95, 3-97  
 Clamp, Ribbon Cable, Hold-Down, 2-17, 2-91  
 Clamp, Ribbon Cable, 2-17, 2-91  
 Clamp, 4-3  
 Clevis, Adj, 0.19pin, #10-32, 2-41  
 Clevis, Adj, 0.25pin, .25-28, 2-81  
 Clevis, Adj, 0.38pin, 0.31-24, Lh, Pl, 2-29

Clevis, Adj, 0.38pin, 0.31-24, Pl, 2-29  
 Clevis, Adj, 1.12pin, 1.00-14, 2-81  
 Clip, Finger Grip, 3-77, 3-101, 3-103  
 Clip, Motor, Ele, 2-73, 3-19  
 Clip, Spring, Prop Arm, 2-87, 3-55, 3-73  
 Clip, Sprocket, 2-25  
 Clip, Sqge, 3-49, 3-51, 3-69  
 Coil 36v, 4-17  
 Collar Wldt, 2-77, 3-41, 3-59  
 Column, Steering (Replaced by 387653), 2-19  
 Column, Steering, #14.0L .81D 36Tooth, 2-19  
 Comm. Bracket, 4-5  
 Comm. bracket, 4-3  
 Connector assy, 4-13  
 Connector Body, 4-10, 4-12, 4-20  
 Connector Kit, Tubing, 4-14  
 Connector, 2 Conductor, 4-5, 4-6, 4-7  
 Connector, 2 conductor, 4-3  
 Connector, 2-Conductor, 4-9  
 Connector, 350a, Gray [Anderson], 3-115  
 Connector, Andersn 350A, Gray, 3-122, 3-123  
 Connector, Anderson, 350A, Gray, 3-117, 3-119, 3-121, 3-124, 3-125, 3-126, 3-127  
 Connector, Fem, 2cav, Mp280 Sealed, 4-21  
 Contact, Switch, 2-17  
 Contactor, 36vdc, [Spno], 2-103  
 Contactor, 36vdc, 100a, Spst, 2-105  
 Contactor, 36vdc, 200a, Dpdt, 2-105  
 Contactor, 36vdc, 200a, Spst, 2-105  
 Contactor, 36vdc, Spdt, 2-103  
 Contactor, 36vdc, 2-103  
 Controller Kit, Replmt [Ec-H2o], 4-23  
 Controller, Motor, 36vdc, 1205, 2-103  
 Controller, Motor, 36vdc400A, 2-105  
 Conveyor, Cyl, 35L, 4Sr, Pp, 2-79  
 Coupling Body, Qf, Pm08, 2-37  
 Coupling Insert, Qm, Bm08, 2-37  
 Coupling, Fem, W/ Valve, .25 Brb, 2-35  
 Coupling, Flexible, 4-15  
 Coupling, Mal, .25 Npt, 2-35  
 Cover Wldt, Top, 2-13  
 Cover Wldt, 2-15  
 Cover, Chain, 2-89  
 Cover, Controlbox, 2-101  
 Cover, Drive, 3-41, 3-59  
 Cover, Hopper, 2-91  
 Cover, Idler, 3-41, 3-59  
 Cover, Insert, 2-45, 3-79  
 Cover, Rear, 2-15  
 Cover, Reservoir, 4-15  
 Cover, Tank, Solution, 2-31  
 Cover, Tank, Top, 2-15  
 Cover, Tank, 2-31, 3-93  
 Cover, Vac Fan, W/ Label, [8300], 2-93  
 Cover, 2-111  
 Cradle Wldt, Battery, 3-113  
 Crank Replacement Kit, 4-14  
 Cuff, Swivel, 3-95

Cup Holder, 2-13  
 Cup Wldt, Skid, 2-11  
 Cylinder, Hyd, 2.0b, . L, 12.00strk, 2500, 2-87

**D**

Detergent Pkg, 2 Liter, Sgl, 365, 2-35  
 Detergent Pkg, 2 Liter, Sgl, 665, 2-35  
 Detergent Pkg, 4 Liter, Sgl [Tco 665], 2-35  
 Device, Centering, 2-7, 2-9  
 Diaphragm kit, 4-13  
 Diode, Ele, Plug, 2-17, 2-105, 2-140, 2-141, 3-83  
 Disc, 4-3  
 Disk, Pad Drive, W/ Face, 20d, 2-7  
 Disk, Pad Driver, W/Face, 16D, 2-9  
 Door Wldt, Side, 2-13  
 Door, Brush, Lh, 2-71, 3-21  
 Door, Brush, Rh, 2-71  
 Door, Brush, 2-77, 2-79  
 Drive, Main Ci, 4-16  
 Drive, Valve, Strg, 4-19  
 Driver Assy, Pad, 16D, 2-9  
 Driver Assy, Pad, 20.0D, 2-7  
 Drum, Cable, Lift, 2-67  
 Duct, Vinyl 3.5l, 2-75  
 Duct, Vyl, 0.40 X 0.75 .25d 23.0l, 3-7  
 Duct, Vyl, 0.40 X 0.75 .25d 48.0l, 3-7

**E**

Ear, 2-89  
 Ec-H2o Kit, Module C, Plumbing, 4-23  
 Electrode, 5 Plate, High Flow, 4-23  
 Electrode, Cylindrical, 4-23  
 Element, Fltr, 4-15  
 Extinguisher, Fire, 3-130

**F**

Fan Assy, Vacuum (See Breakdown) (Replaced by 398520), 2-47  
 Fan Assy, Vacuum (See Breakdown), 2-47  
 Fan vacuum, 36v, 4-3  
 Fan, rotating, 4-3  
 Fan, stationary, 4-3  
 Fan, Vacuum, 5.7D, 036Vdc, 3 Stage, 2-47  
 Fan, Vacuum, 4-5  
 Fan, 4-3, 4-5  
 Fast 665 4 Ltr, Detergent, 2-39  
 Fast 965 4 Ltr, Detergent, 2-39  
 FaST Kit, Ci [Inj Reblnd, 7300/8300], 4-24  
 Fast Kit, Ci, Injector Filters[Fast li+], 4-24  
 Fast Kit, Ci, Injector Seals [Fast li+], 4-24  
 Fast Kit, Injector, Ci [7300/8300] (See Breakdowns), 2-39  
 FaST Kit, Injector, Ci [7300/8300], 4-24  
 Filter Assy, Air, Molded Ure, 2-35  
 Filter, Foam, 2-37  
 Filter, In-Line, Pf06/Pf06 080mesh 02.6l, 2-39, 3-81

## CROSS REFERENCE

- Filter, Inline, Pf06/Pf06, 80 Mesh, 2-37  
Filter, Panl, Dust, 2.0 X 06.1 X 07.6, 2-3, 2-4, 2-43  
Filter, Pkg, Dust, Panl, 81plts, 2-3, 2-4  
Filter, Soltn, 20mesh, Pf16 3.1d 02.3l, 2-31  
Fitting 1/8mx1/4h Barb Brs, 2-35  
Fitting Assy, Cap, 0.067b, Pf04, 2-33  
Fitting Assy, Cap, 0.086b, Pf04, 2-33  
Fitting Assy, Qdc, Pf04, 3-81  
Fitting, Brs, E90, Cf03/Pf02, 2-35  
Fitting, Brs, E90, Pm04/Bm08, 2-33  
Fitting, Brs, Qdc, Bm12/Qf08, 3-75  
Fitting, Brs, Qdc, Pm04/Qf06, 3-99  
Fitting, Brs, Str, Pf04/Pf04 Bkhd, 3-99  
Fitting, Brs, Str, Bm06/Pf02, Spcl, 3-81  
Fitting, Brs, Str, Bm06/Pf04, 3-81  
Fitting, Brs, Str, Pf02/Pm06, 3-81  
Fitting, Brs, Str, Pm02/Bm03, 2-47  
Fitting, Brs, Str, Pm02/Pm02, 4-23  
Fitting, Brs, Str, Pm04/Pm04, 2-33  
Fitting, Brs, Str, Pm04/Pm06, 2-33  
Fitting, Brs, Tee, Pf04/Pf04/Pm04, 2-33  
Fitting, Brs, Tee, Pf04/Pm04/Pf04, 2-33  
Fitting, Brs, Tee, Pf02/Pf02/Pm02, Run, 3-81  
Fitting, Brs, Tee, Pm04/Pf04/Pf04, Run, 2-39  
Fitting, Coupler, Hose, Shank, Fem, 3-87, 3-89  
Fitting, Elbow, 3-97  
Fitting, Grease, E90 Pm04 .75L, 3-25, 3-39, 3-57  
Fitting, Grease, Str Pm04 .47l, 2-87  
Fitting, Grease, 2-25  
Fitting, Hose, Barbed, .25npt Mal, 3-97  
Fitting, Hyd, E90, Jm04/Om04, 2-87, 2-95  
Fitting, Hyd, Rst, Jm04/.047, 2-87  
Fitting, Hyd, Str, Jm04/Om06, 2-19  
Fitting, Hyd, Str, Jm04/Om10, 2-19  
Fitting, Hyd, Str, Jm06/Om06, 2-19, 2-95  
Fitting, Hyd, Tee, Jm06/Jm06/Om06, 2-95  
Fitting, Nyl, Qdc, E90, Bm06/ Qm10, 2-39  
Fitting, Nyl, Qdc, E90, Bm08/ Qm10, 2-39  
Fitting, Plstc, [90 Bm03/Pm02], 2-43  
Fitting, Plstc, Bkhd, Pf12/Pf12, 2-45  
Fitting, Plstc, Bkhd, Pf16/Pf16, 2-31  
Fitting, Plstc, Cap, Pf04, 2-35  
Fitting, Plstc, Cap, Pf08, 2-55, 2-57, 3-27  
Fitting, Plstc, E45, Pf12/Pf12, 3-75  
Fitting, Plstc, E90, 06bm/06bm, 3-93  
Fitting, Plstc, E90, 16bm/16pm, 2-31  
Fitting, Plstc, E90, Bm04/Pm04 Nyl, 2-35  
Fitting, Plstc, E90, Bm05/Pm02, Nyl, 4-23  
Fitting, Plstc, E90, Bm06/Pm04, Nyl, 2-39  
Fitting, Plstc, E90, Bm08/Bm08, 2-55, 2-57, 3-27, 3-29  
Fitting, Plstc, E90, Bm08/Pm04 Nyl, 2-33  
Fitting, Plstc, E90, Bm08/Pm04, 3-99  
Fitting, Plstc, E90, Bm08/Pm06, 2-37, 2-39, 3-45, 3-63, 3-81  
Fitting, Plstc, E90, Bm08/Pm08, 3-75  
Fitting, Plstc, E90, Bm10/Pm12, 3-75  
Fitting, Plstc, E90, Bm12/Bm12, 2-55, 2-57, 3-27, 3-29, 3-43, 3-45, 3-61, 3-63  
Fitting, Plstc, E90, Bm12/Pf12, 3-77  
Fitting, Plstc, E90, Bm12/Pm08, 3-27, 3-75  
Fitting, Plstc, E90, Bm12/Pm12, 3-75, 3-77  
Fitting, Plstc, E90, Pf08/Pf08, 3-45, 3-63  
Fitting, Plstc, E90, Pm12/Pf12, 2-31  
Fitting, Plstc, Pipe, Cap, Pf04, 2-39  
Fitting, Plstc, Plug, Pm12, 2-31, 2-45, 3-75  
Fitting, Plstc, Plug, PM16, 2-31  
Fitting, Plstc, Rst, .50od/.31id, 3-27, 3-29  
Fitting, Plstc, Str, 08pmxgarden, 3-77  
Fitting, Plstc, Str, Bm04, Cplg, Fem, 2-39  
Fitting, Plstc, Str, Bm04/Bm08, 2-35, 3-81  
Fitting, Plstc, Str, Bm05/Pm04, 3-81  
Fitting, Plstc, Str, Bm06/Bm06, 3-93  
Fitting, Plstc, Str, Bm06/Pm02, Nyl, 3-81, 4-23  
Fitting, Plstc, Str, Bm06/Pm04, 2-39  
Fitting, Plstc, Str, Bm06/Pm12, 3-93  
Fitting, Plstc, Str, Bm08/Bm08, 2-55, 2-57, 3-27, 3-29  
Fitting, Plstc, Str, Bm08/Pm04 (ec-H2O), 3-29, 3-45, 3-63  
Fitting, Plstc, Str, Bm08/Pm04 (FaST), 2-57  
Fitting, Plstc, Str, Bm08/Pm04, 3-99  
Fitting, Plstc, Str, Bm08/Pm06, 2-37, 2-39, 3-81  
Fitting, Plstc, Str, Bm08/Pm08, 2-55, 2-57, 3-27, 3-45, 3-63  
Fitting, Plstc, Str, Bm08/Pm12, 2-37, 2-39, 3-81, 3-99  
Fitting, Plstc, Str, Bm10/Bm10, 2-55, 2-57  
Fitting, Plstc, Str, Bm12/Pm08, Nyl, 3-45, 3-63  
Fitting, Plstc, Str, Bm12/Pm08, 3-75  
Fitting, Plstc, Str, Bm12/Pm12, 2-31, 3-75  
Fitting, Plstc, Str, Bm24/Bm32, 3-95, 3-103  
Fitting, Plstc, Str, Pm04, Cplg, Mal, 2-39  
Fitting, Plstc, Str, Pm08/Pm08, 3-75  
Fitting, Plstc, Str, Pm12/Bm16, 2-31  
Fitting, Plstc, Str, Pm12/Pm12, 2-31, 3-75  
Fitting, Plstc, Str, Pm16/Pm16 Close, 2-31  
Fitting, Plstc, Tee, Bm04/Bm04/Bm04, 2-39  
Fitting, Plstc, Tee, Bm05/Bm05/Pm04, 3-81  
Fitting, Plstc, Tee, Bm06/Bm06/Bm06, 3-81  
Fitting, Plstc, Tee, Bm08/Pm04/Bm08 Nyl, 2-33, 2-35  
Fitting, Plstc, Tee, Bm10/Bm10/Bm10, 2-55  
Fitting, Plstc, Tee, Bm12/Bm12/Bm12, 3-43, 3-61  
Fitting, Plstc, Tee, Bm16/Pf12/Bm16, 2-31  
Fitting, Plstc, Tee, Pf08/Pf08/Pf08, 3-75  
Fitting, Plstc, Tee, Pf12/Pf12/Pf12, 2-31  
Fitting, Plstc, Y, Bm06/Bm06/Bm06, Nyl, 3-81  
Fitting, Plstc, Y, Bm08/Bm08/Bm08, Nyl, 3-45, 3-63  
Fitting, Plstc, Y, Bm08/Bm08/Bm08, Nyl, 2-39  
Fitting, Plug, Om04, Valve, 4-18  
Fitting, Plug, Om06, Valve, 4-18  
Fitting, Qm, Male, 3-75  
Fitting, Quick Disconnect, 3-95  
Flange, Brg, 1.9id 2h, 2-77, 2-79  
Flange, 4-16  
Flap, Front, 2-3, 2-5, 2-85  
Flasher, 12/48vdc 5a #6309/12-48vdc, 3-9  
Frame and Field Assembly, 4-11  
Frame Assy, Sqge, Side, Vacuum, Rh, 3-35  
Frame Wldt, Scb Head, 2-Brush, Ele, 2-51  
Frame Wldt, Scb Head, 3-Brush, Ele, 3-23  
Frame Wldt, Sqge 48.0l, 3-105  
Frame Wldt, Sqge, Side, Lh, 2-63, 3-37, 3-51, 3-69  
Frame Wldt, Sqge, Side, Rh, 2-61, 3-33, 3-49, 3-67  
Frame Wldt, Sqge, 2-69, 3-107  
Frame, 2-11  
Fuse 20a,3ag,Slo-blo, 2-111  
Fuse, .25d 10a 32vdc, 2-111  
Fuse, 200amp, 2-103, 2-105

## G

- Gasket, .19, 2.00ld 5.38OD [BUNA], 3-87, 3-89  
Gasket, .19, 4.05id 5.29od [Buna], 2-31, 2-45, 3-79, 3-93  
Gasket, Cap, Drain, 2-3, 2-4, 2-5, 2-45, 3-79  
Gasket, Cap, Dust, 3-87, 3-89  
Gasket, Cap, 2-45, 3-79  
Gasket, Cover, Controller, 2-101  
Gasket, Cover, Tank, Solution, 2-31  
Gasket, Cover, 3-41, 3-59  
Gasket, Foam, 3-55, 3-73  
Gasket, Lid, 2-45, 3-79  
Gasket, Mtg, Fan, 2-3, 2-4, 2-5, 2-47  
Gasket, Sqge, 2-69, 3-105, 3-107  
Gasket, Tank, Recovery, 2-3, 2-4, 2-43  
Gasket, 2-111  
Gasspring, 56lb, 6.3strk, 2-59, 3-31, 3-47, 3-65  
Gear, Drive, 2-25  
Gearbox, 90, Drive Wheel, Rear, [Hu], 2-25  
Gearbox, Motor, 4-10, 4-12, 4-20  
Geroler S/A Cl, 4-16  
Geroter, 4-19  
Grommet, Blind, 3-81, 4-23  
Grommet, Level Sensing 1.6 D 9.6L, 2-31  
Grommet, Pye, 0.37id, F/ 1.5h, .13matl, 3-93  
Grommet, Rbr, 0.38id, F/ 0.5h, .12matl, 3-5, 3-7, 3-9



Grommet, Rbr, 0.50id, F/ 0.8h, .12matl, 2-101  
 Grommet, Rbr, 0.89id, F/ 1.2h, .14matl, 2-23  
 Grommet, Rbr, 1.00id, F/ 1.4h, .12matl, 2-101  
 Grommet, Rbr, 1.0b, 2-101, 2-111  
 Grommet, Rbr, 1.50id, F/ 1.8h, .31matl, 2-17, 2-27  
 Grommet, Rbr, 2.13id, F/ 2.5h, .12 Matl, 2-35  
 Grommet, Ribbon Cable, .63 X 1.81, 2-17  
 Grommet, 3-97  
 Guard Wldt, Lh, 3-51, 3-69  
 Guard Wldt, Light, Revl/Fish, 3-5, 3-7  
 Guard Wldt, Oprtr, Top, 3-13  
 Guard Wldt, Rh, [Mp1200], 3-67  
 Guard Wldt, Rh, 3-49  
 Guard Wldt, Sqge (MP 20), 3-25, 3-57  
 Guard, Brush, Side, 2-73, 3-19  
 Guard, Bumper, 3-25, 3-57  
 Guard, Kick In, Scb Head, 2-53, 3-25, 3-39, 3-57  
 Guard, Light, 3-9  
 Guard, Side Brush, 2-73  
 Guide, Point, Side Sqge, 2-61, 2-63, 3-33, 3-35, 3-37, 3-49, 3-51, 3-67, 3-69

**H**

H-016 Wavy Washer, 4-11  
 Handle Wldt, Steering, Tilt, 2-19  
 Handle, Wand, 3-97  
 Handle, 2-31  
 Harness [Fast 7300/8300], 2-140  
 Harness [FaST II+ 7300/8300], 2-141  
 Harness. Switch, Key, Diode, 2-105  
 Harness, Backup Alarm, Shrd, 3-9  
 Harness, Battery, Connecting, 2-107, 2-109  
 Harness, Battery, Rollout [7300/8300], 3-111  
 Harness, Fast, 7300/8300, 2-140  
 Harness, Hppr, 2-139  
 Harness, Jumper, Arm, 2-139  
 Harness, Light, Revl, Shrd, 3-5  
 Harness, Main, 7300/8300, 2-139  
 Harness, Main,Controlboard[Ec-H2o 5cell], 4-23  
 Harness, Power Wand, [7300/8300], 3-101  
 Harness, Rear [FaST 7300/8300], 2-141  
 Harness, Rear, [ Fast 7300/8300], 2-140  
 Harness, Sensor, Jumper, 2-43, 3-77  
 Harness, Solenoid, Shakr, [6200], 2-91  
 Harness, Warning Light, Alarm, 3-7  
 Harness, Wire [7300 Ec-H2o, Module], 3-85  
 Harness, Wire [7300, Ec-H2o Interface], 3-85  
 Harness, Wire, Jumper, Reverse Switch, 3-9  
 Harness, Wire, Jumper, Seat Switch, 2-139  
 Head Kit, Pump, Water, Repair, 4-21

Head, Commutator End, 4-11  
 Head, Drive End, 4-11  
 Head, Wand, 3-97  
 Headband, 4-11  
 Headlight, 36vdc, 15cp 0.7a [#0534242], 2-83  
 Headlight, 36Vdc, 60 Watt 1.7A, 3-9  
 Hinge Assy, 2-15  
 Hinge Wldt, W/ Pin, 2-15  
 Hinge, .25pin .25 3.0w 05.0l 6/0.44h, 2-71  
 Hinge, 2-13  
 Hook Wldt, Latch, 3-41, 3-59  
 Hopper, Sweeper, [8300], 2-83  
 Horn, 36vdc, DbA, 2-11  
 Hose Assembly, 3-95  
 Hose Assy, Drain, 2-45, 3-79  
 Hose Assy, Pvc, W/ Cuff, 1.5d, 90.0l, 3-103  
 Hose Assy, W/1cuff, 1.5d 120l 1.5/, 3-87, 3-89  
 Hose Assy, W/2 Cuff, 1.0d 41.0l, 2-5, 3-35  
 Hose Assy, W/2 Cuff, 1.0D 44L 1.0/1.0, 3-35  
 Hose Assy, W/2cuff, 1.0d, 23l, 3-55, 3-73  
 Hose Assy, W/2cuff, 1.0d, 41l, 3-55, 3-73  
 Hose Assy, W/2cuff, 2.0d 26l, 3-35, 3-55, 3-73  
 Hose Assy, W/2cuff, 2.0d 75l, 3-35, 3-55, 3-73  
 Hose, Afmkt Replmt, Pvc, Brd 0.50id 1 Ft, 2-33, 2-35, 2-37, 3-45, 3-63  
 Hose, Afmkt Replmt, Pvc, Brd 0.50id 2 Ft, 2-33, 3-29, 3-45, 3-63  
 Hose, Afmkt Replmt, Pvc, Brd 0.50id 20ft, 2-37  
 Hose, Afmkt Replmt, Pvc, Brd 0.50id 3 Ft, 3-29  
 Hose, Afmkt, Pvc, Brd 0.50id 1ft, 2-57  
 Hose, Afmkt, Pvc, Brd 0.50id 2ft, 2-55  
 Hose, Afmkt, Pvc, Brd 0.75id 1 Ft, 3-29, 3-45, 3-63  
 Hose, Afmkt, Pvc, Brd 0.75id 8 Ft, 3-29, 3-45, 3-63  
 Hose, Afmkt, Pvc, Brd, 0.25id, 03ft, 3-81  
 Hose, Afmkt, Pvc, Brd, 0.38id, 01ft, Clr, 4-23  
 Hose, Afmkt, Pvc, Brd, 0.38id, 03ft, Clr, 2-39  
 Hose, Afmkt, Pvc, Brd, 0.38id, 08ft, Clr, 3-81  
 Hose, Afmkt, Pvc, Brd, 0.50id, 01ft, Clr, 2-39  
 Hose, Afmkt, Pvc, Brd, 0.50id, 02ft, Clr, 2-39  
 Hose, Afmkt, Pvc, Brd, 0.50id, 08ft, Clr, 3-81  
 Hose, Afmkt, Pvc, Brd, 0.75id 8 Ft, 2-57  
 Hose, Afmkt, Pvc, Clr 0.25id 1 Ft, 2-35  
 Hose, Afmkt, Pvc, Clr 0.25id 2 Ft, 2-35  
 Hose, Afmkt, Pvc, Clr, 0.25id, 02ft, 2-39  
 Hose, Hyd, Tc 06, Jf str/E90 , 48.0l, 2-99  
 Hose, Hyd, Tc04, Jf04Str/Jf04Str, 025.0, 2-99

Hose, Hyd,Med06, Jf06str/Jf06e90 , 26.0, 2-99  
 Hose, Hyd,Tc 04, Jf04str/Jf04e90 , 20.0, 2-99  
 Hose, Hyd,Tc 04, Jf04str/Jf04e90 , 30.0, 2-99  
 Hose, Hyd,Tc 06, Jf06str/Jf06e90 , 24.0, 2-99  
 Hose, Pvc, Brd, 0.31id 0.53od, 2ft, Clr, 4-23  
 Hose, Pvc, Brd, 0.38id 0.60od 15.00l, 3-93  
 Hose, Pvc, Brd, 0.38id 0.60od 66.00l, 3-93  
 Hose, Pvc, Brd, 0.50id 0.73od 33.00l, 3-27  
 Hose, Pvc, Brd, 0.50id 0.75od 14.00l, 3-27  
 Hose, Pvc, Brd, 0.50id 0.80od 18.00l, 3-27  
 Hose, Pvc, Brd, 0.62id 0.91od 10.30l, 2-55  
 Hose, Pvc, Brd, 0.75ID 1.00OD 02.00L, 3-43  
 Hose, Pvc, Brd, 0.75id 1.00od 02.00l, 3-27  
 Hose, Pvc, Brd, 0.75id 1.00od 19.00l, 3-75  
 Hose, Pvc, Brd, 0.75id 1.00od 2.00l, 3-61  
 Hose, Pvc, Brd, 0.75id 1.00od 26.00l, 3-75  
 Hose, Pvc, Brd, 0.75id 1.00od 44.50l, 3-27, 3-43, 3-61  
 Hose, Pvc, Brd, 0.75id 1.03od 01.50l, 3-43, 3-61  
 Hose, Pvc, Brd, 0.75id 1.03od 02.00l, 2-55, 2-57  
 Hose, Pvc, Brd, 0.75ID 1.03OD 05.00L, 3-43  
 Hose, Pvc, Brd, 0.75id 1.03od 05.00l, 3-61  
 Hose, Pvc, Brd, 0.75id 1.03od 11.00l, 3-43, 3-61  
 Hose, Pvc, Brd, 0.75id 1.03od 44.50l, 2-55, 2-57  
 Hose, Pvc, Clr, 0.50id 0.69od 50.00l, 3-77  
 Hose, Pvc, Wir, 0.50id 0.74od 47.00l, 3-99  
 Hose, Pvc, Wir, 0.50id 0.75od 15.50l, 3-99  
 Hose, Vacuum, 0.16id X 05.0l, 2-43, 2-47, 3-77  
 Hose, Vacuum, 35.0l, 2-5, 3-35, 3-55, 3-73  
 Hose, Vacuum, 58.5l, 2-5, 3-35, 3-55, 3-73  
 Hose, Vacuum, 89.0l, 2-43  
 Hose, Vacuum, 91.0l, 2-3, 2-4  
 Hose, Vacuum, 2-3, 2-4, 2-47, 3-95  
 Hose, Vyl, Brd .38id .60od 45.0l, 3-93  
 Hose, Vyl, Brd, .62id 55.0l, 3-77  
 Hose, Vyl, Brd, .75id 28.0l, 3-77  
 Hose, Wand, 3-97  
 Hose, Water, 1.0id 2.25l, 2-31  
 Hose, Water, 1.0id 4.5l, 2-31

## CROSS REFERENCE

Hose, Water, Vyl, Brd, .75ld 14.0L, 3-75  
Hose, 3-95  
Housing Wldt, Brush [Mp1200], 3-57  
Housing Wldt, Brush, Side, 2-75, 3-21  
Housing Wldt, Brush, 3-39  
Housing, Bottom, 4-23  
Housing, Cplg, Qf / Pm08 (ec-H2O), 2-57  
Housing, Cplg, Qf / Pm08 (FaST), 3-29,  
3-45, 3-63  
Housing, Cplg, Qf / Pm08, 2-39, 3-81  
Housing, Vacfan, Rear, 9.0d, Impeller, 2-93  
Housing, 2-89, 4-3, 4-5, 4-16  
Hub Wldt, 2-89  
Hub, Drive, Brush, Disk, 0.75B 6T, 2-51  
Hub, Drive, Brush, Disk, 3 Hole 5.8Bc, 2-9  
Hub, Drive, Brush, 3-23

### I

Impeller, 9.00d X 1.40w X 0.376b, 2-93  
Insert, Cplg, Qm, Bm08, 2-39, 3-81  
Instruction, Repair, Valve, Strg, 4-19  
Instruction, Repair, 4-16  
Insulator, Panel & Switchboard, 2-105  
Insulator, Panel, 2-103

### K

Key Square 0.25 0.25 01.00 Lg, 4-12  
Key Square 0.25 X 0.25, 01.00L, 4-10,  
4-20  
Key, Ignition, 2-17  
Key, Sq, 0.12 X 0.12, 01.00l, 2-93  
Key, Sq, 0.19 X 0.19, 00.62l, 2-77  
Key, Sq, 0.19 X 0.19, 00.75l, 2-77, 3-41,  
3-59  
Key, Sq, 0.19 X 0.19, 01.00l, 2-77, 2-93,  
3-41, 3-59  
Key, Sq, 0.19 X 0.19, 01.25L, 4-9  
Key, Sq, 0.19 X 0.19, 01.25l, 3-41, 3-59  
Key, Sq, 0.25 X 0.25, 00.75l, 2-87  
Key, Square, 4-6, 4-7, 4-8  
Key, Woodruff, 0.19 0.75, [ASA#0606],  
2-93  
Kit, Brake, 2-3, 2-4  
Kit, Brush, Motor, Ele, 2-73, 3-19  
Kit, Brush, Motor, 3-19  
Kit, Cap, Drain, 2-45, 3-79  
Kit, Cl, Alarm, Backup, 36Vdc, 3-9  
Kit, Ci, Battery, 36vdc, 1000Ah, Wet, 3-121  
Kit, Ci, Battery, 36vdc, 600ah, Sealed,  
3-117  
Kit, Ci, Battery, 36vdc, 750ah, Wet, 3-119  
Kit, Ci, Battery, Rollout, 3-111  
Kit, Ci, Bumper, Rear, 3-11  
Kit, Ci, Detgt Metering, 3-93  
Kit, Ci, Drain, Soltn, Pos Cntrl, Soltn, 3-89  
Kit, Ci, Drain, Soltn, Pos, Cntrl, Recvy,  
3-87  
Kit, Cl, Extinguisher, Fire, [7300/8300],  
3-130  
Kit, Ci, Fltr, [8300], 2-91

Kit, Ci, Fork Lift, Battery, 3-113  
Kit, Ci, Indicator, Low Water Level, 3-91  
Kit, Cl, Light, Revl W/ Ohg, 3-7  
Kit, Cl, Light, Revl W/O OHG, 3-5  
Kit, Ci, Ohg, [7300/8300], 3-13  
Kit, Ci, Seat, Suspension, 3-17  
Kit, Ci, Seatbelt, 3-15  
Kit, Cl, Squeegee, Rear (Max Prot 1000),  
2-69, 3-107  
Kit, Cl, Squeegee, Rear [Max Pro 1200],  
3-105  
Kit, Ci, Vacuum Wand, [7300/8300], 3-103  
Kit, Cover, Recvy, W/Gasket, 2-43  
Kit, Drain Hose, Solution Side, 3-79  
Kit, Ftg, Garden Hose, 3-75  
Kit, Maint, 800hr  
[8300-Mp1200-Disk-Vac], 2-4  
Kit, Maint, 800hr, [8300-Mp1000-Cyl], 2-4  
Kit, Maint, 800hr, [8300-Mp1000-Disk],  
2-3  
Kit, Maint, 800hr, [8300-Mp1200-Cyl], 2-4  
Kit, Maint, 800hr, [8300-Mp1200-Disk],  
2-3  
Kit, Modif, Ftg Location, [Discvac], 2-4  
Kit, Panel, Lh, 2-91  
Kit, Panel, Rh, 2-91  
Kit, Replmt, Press Switch/34" Tube, 2-31,  
3-91  
Kit, Seal, Hyd, Valve, Strg, 4-19  
Kit, Seal, Hyd, Valve, 4-17  
Kit, Seal, Motor, 4-16  
Kit, Seal, 4-15  
Kit, Spring, Valve, Strg, 4-19  
Kit, Switch, Micro, 3-9  
Kit, Valve, Check, 2-31  
Kit, Wand, Power [5400], 3-97  
Knob, 0.50-20, 1.38d, Plstc, 2-41  
Knob, 4-Prong W/.31-18, Insert, 2-69,  
3-105, 3-107  
Knob, Adj, 2-65  
Knob, Plastic, 2-75, 2-79, 3-21  
Knob, Tapered, 2-87  
Knob, 2-19, 2-65, 2-79

### L

Label [User, Attention, Ec-H2o], 3-83  
Label Set, Info & Hzd, 2-142  
Label Set, Info/Hzrd, [Max Pro], 3-39, 3-57  
Label Set, Info/Hzrd, [Maxpro], 2-51, 3-23  
Label Set, Operational, 7300/8300, 2-142  
Label Set, Opertnl [7300 ec-H2O], 3-83  
Label, Attention Fast Users, 2-31  
Label, Brush, Side, Adj, 2-75, 3-21  
Label, Direction [Ec-H2o], 4-23  
Label, Fast, 2-112  
Label, Front [Ec-H2o, T15], 3-83  
Label, Module [Nsf, Ec-H2o], 4-23  
Label, Sqge, 2-142  
Label, Switch [7300/8300 FaST], 2-113  
Label, Switch, Fast, 2-112  
Label, Tank [ec-H2O], 3-83  
Label, 2-142

Lamp, 40vdc, 0.9a, [50cp#1062], 3-5, 3-7  
Lamp, 36vdc, 32cp .72a, [#sp7], 2-83  
Lamp, 2-11  
Lampholder, 2-11  
Latch, Double Scrub, Side Sqge, 2-61,  
2-63, 3-33, 3-37  
Latch, Handle, 3-111  
Latch, Trigger, 2-13, 2-71  
Latch, 2-15, 2-91, 3-41, 3-49, 3-51, 3-59,  
3-67, 3-69  
Leg, 2-85  
Lens, Amber, Light, Revl, 3-5, 3-7  
Lens, Rev. Light, Blue, 3-5, 3-7  
Lens, Rev. Light, Red, 3-5, 3-7  
Lever Assy, Flap, 2-87  
Lever Wldt, Flap, 2-87  
Lever Wldt, 2-27  
Lever, Valve, Water, 2-41  
Light, Led, .312d, 2 Volt [Tri-Color], 3-83  
Light, Revl, 36vdc, Amb, Rework 44684,  
3-5, 3-7  
Light, Spot, 36vdc, 60w Rework 72173,  
3-9  
Link Assy, Rod-End, .63-18, 2-53, 3-25,  
3-39, 3-57  
Link Wldt, Head, Drag (Replaced by  
9005751), 3-25, 3-39, 3-57  
Link, .38 1.0w 07.5l 2/1.5h, 2-53  
Link, Chain, Roller, #40, 2-19, 2-89  
Link, Lift, Squeegee (Replaced by  
9005752), 2-53  
Lock, Secondary, 2cav, Mp280 Sealed,  
4-21

### M

Manifold, Plastic, 3-27  
Manifold, Soltn, Cntrl, 2-55, 2-57, 3-27,  
3-29  
Manual Pkg, (8300 Ele Na), 3-131  
Manual, Fiche, (8300 Ele), 3-131  
Manual, Oprtr, (8300 Ele Es Na), 3-131  
Manual, Oprtr, (8300 Ele Fr Na), 3-131  
Manual, Service, (8300 Ele Na), 3-131  
Media, Cd-Rom, Training [ec-H2O  
TENNANT], 3-131  
Module Kit, Replmt [Ec-H2o], 4-23  
Module, Water, W/Pkg [7300 Ec-H2o]  
(See Breakdowns), 3-81  
Module, 2-103  
Molding, Trim, .19-.31 12.00, 2-19  
Motor Assy, EE Vac Fan, 4-6, 4-7  
Motor Assy, 4-8  
Motor Ele, 36Vdc, Rh Rep By 1008274,  
2-73  
Motor, Ele, 36vdc 0.9hp 1800rpm (See  
Breakdown), 2-77  
Motor, Ele, 36 Vdc 1500 Rpm 1.5 Hp, 4-9  
Motor, Ele, 36Vdc (See Breakdown) (Repl.  
by 374201), 2-93  
Motor, Ele, 36Vdc 0.08Hp 0068Rpm  
04.5A, 3-19

Motor, Ele, 36Vdc 0.75 Hp 2500Rpm (See Breakdown), 2-93  
 Motor, Ele, 36vdc 1.00hp 0300rpm, Gear (Standard) (See Breakdown), 2-51  
 Motor, Ele, 36vdc 1.50hp 0300rpm, Gear (Heavy Duty) (See Breakdown), 2-51  
 Motor, Ele, 36Vdc 1.50Hp 1500Rpm 43.0A, 3-41, 3-59  
 Motor, Ele, 36vdc 1500rpm 1.5hp (See Breakdown) (Repl By 377398AM), 3-41, 3-59  
 Motor, Ele, 36Vdc, Hp, 0080Rpm, Lh (Rep By 1008275), 3-19  
 Motor, Ele, Traction, 4-11  
 Motor, Ele, Vdc 3.0hp Traction,[201] (See Breakdown), 2-25  
 Motor, Elect, 4-15  
 Motor, Gear, 1.0Hp 36V, 4-12  
 Motor, Gear, 36vdc, 120w, 75rpm, 2-73  
 Motor, Gear, Ele, 1.0hp, 36vdc, 300rpm (See Breakdown), 3-23  
 Motor, Gear, Ele, 1.5hp, 36vdc, 300rpm (Replaced by 387585AM) (See Breakdowns), 2-51  
 Motor, Gear, Ele, 1.5Hp, 36Vdc, 300Rpm, 4-10, 4-20  
 Motor, Hyd (See Breakdowns), 2-19  
 Motor, Hyd, 4-16  
 Motor, 4-13

**N**

Nozzle, Spray, 3-97  
 Nozzle, Wand, Plstc, 14.0lg, 3-103  
 Nozzle, Water, 3-77  
 Nut, Hex, Cplg, M08X1.25, 2-105  
 Nut, Hex, Flexlock, .31-24, 2-93  
 Nut, Hex, Flng, .38-16, 2-61, 3-33  
 Nut, Hex, Flng, M06 X 1.0, 2-87, 2-103, 2-105, 3-9  
 Nut, Hex, Flng, M08 X 1.25, 2-11, 2-73, 2-83, 2-95, 3-5, 3-7, 3-19  
 Nut, Hex, Flng, M10 X 1.5, 2-65, 3-87, 3-89  
 Nut, Hex, Flng, M5 X 0.8, 2-112  
 Nut, Hex, Flng, M5 X 0.80, 3-81  
 Nut, Hex, Jam, .62-18, Ss, Lh, 3-39, 3-57  
 Nut, Hex, Jam, .62-18, Ss, 3-39, 3-57  
 Nut, Hex, Jam, M10 X 1.5, Ss, 2-65, 2-89, 3-105  
 Nut, Hex, Jam, M20 X 1.5, 2-19  
 Nut, Hex, Lock, .25-20, NI, 2-23  
 Nut, Hex, Lock, .25-28, NI, 2-23  
 Nut, Hex, Lock, .31-18, NI, Thin, 3-111  
 Nut, Hex, Lock, .31-18, NI, 2-21, 3-17  
 Nut, Hex, Lock, .38-16, NI, Thin, 2-77  
 Nut, Hex, Lock, .44-20, NI, Thin, 2-41  
 Nut, Hex, Lock, .50-13, NI, Ss, 2-65  
 Nut, Hex, Lock, .62-18, NI, Thin, 2-53, 3-25, 3-39, 3-57  
 Nut, Hex, Lock, #06-32, NI, 2-111  
 Nut, Hex, Lock, M 4 X 0.7, NI Ss, 3-111  
 Nut, Hex, Lock, M 4 X 0.7, NI, 2-35

Nut, Hex, Lock, M 5 X 0.8, NI, 2-105  
 Nut, Hex, Lock, M 5 X 0.8, NI, Ss, 3-111  
 Nut, Hex, Lock, M 6 X 1.0, NI, 2-73, 2-105, 2-112  
 Nut, Hex, Lock, M 8 X 1.25 NI, 2-109  
 Nut, Hex, Lock, M 8 X 1.25, NI, Ss, 3-25, 3-57  
 Nut, Hex, Lock, M04 X 0.7, NI, Ss, 3-41, 3-59, 3-93  
 Nut, Hex, Lock, M04 X 0.7, NI, 2-15, 2-103, 3-77, 3-101  
 Nut, Hex, Lock, M05 X 0.8, NI, Ss, 2-45, 2-49, 3-39, 3-57, 3-79  
 Nut, Hex, Lock, M05 X 0.8, NI, 2-17, 2-79, 2-83, 2-91, 2-103, 3-41, 3-59  
 Nut, Hex, Lock, M06 X 1.0, NI, Ss, 2-41, 2-53, 2-55, 2-57, 2-59, 2-61, 2-63, 2-67, 2-77, 2-79, 3-27, 3-29, 3-31, 3-33, 3-37, 3-43, 3-45, 3-47, 3-55, 3-61, 3-63, 3-65, 3-73, 3-75, 3-99, 3-111  
 Nut, Hex, Lock, M06 X 1.0, NI, 2-13, 2-17, 2-19, 2-23, 2-83, 2-93, 2-103, 3-9  
 Nut, Hex, Lock, M08 X 1.25,NI, Ss, 2-27, 2-31, 2-49, 2-51, 2-61, 2-63, 2-67, 2-69, 2-85, 3-23, 3-31, 3-33, 3-35, 3-37, 3-39, 3-57, 3-65, 3-77, 3-93, 3-99, 3-105, 3-107, 3-111, 3-113, 3-117, 3-119, 3-121  
 Nut, Hex, Lock, M08 X 1.25,NI, 2-11, 2-13, 2-23, 2-25, 2-27, 2-41, 2-71, 2-73, 2-77, 2-79, 2-81, 2-83, 2-85, 2-87, 2-95, 2-101, 2-107, 3-19, 3-43, 3-45, 3-61, 3-63  
 Nut, Hex, Lock, M10 X 1.5, NI, SS, 3-41, 3-59  
 Nut, Hex, Lock, M10 X 1.5, NI, Ss, 2-51, 2-65, 2-67, 2-85, 3-11, 3-23, 3-25, 3-57  
 Nut, Hex, Lock, M10 X 1.5, NI, 2-23, 3-13, 3-15  
 Nut, Hex, Lock, M12 X 1.75, NI, 2-73  
 Nut, Hex, Lock, M12 X 1.75,NI, Ss, 2-69, 2-79, 3-49, 3-51, 3-67, 3-69, 3-105, 3-107  
 Nut, Hex, Lock, M12 X 1.75,NI, 2-19, 2-29, 2-89, 3-19  
 Nut, Hex, Lock, M4 X 0.70, NI, Ss, 4-23  
 Nut, Hex, Lock, M5 X 0.80, NI, 2-39  
 Nut, Hex, Lock, M6X1.0, Ss, NI, 3-53, 3-71  
 Nut, Hex, Lock, M8 X 1.25, NI, Ss, 3-115  
 Nut, Hex, Lock, M8 X 1.25, NI, 2-35, 3-81  
 Nut, Hex, Sltd, .75-16, 2-77  
 Nut, Hex, Sltd, 1.00-20, 2-29  
 Nut, Hex, Std, .25-20, Ss, 2-13  
 Nut, Hex, Std, .25-20, 2-103, 2-105  
 Nut, Hex, Std, .25-28, 2-23, 2-81  
 Nut, Hex, Std, .31-24, 2-103, 2-105, 2-107, 2-109  
 Nut, Hex, Std, .38-16, Ss, 3-49, 3-67  
 Nut, Hex, Std, .38-16, 3-21  
 Nut, Hex, Std, .50-20, 2-25

Nut, Hex, Std, #10-32, 2, 2-11, 2-103, 2-105, 2-107, 2-109  
 Nut, Hex, Std, M06 X 1.0, 2-81, 2-83, 2-107  
 Nut, Hex, Std, M08 X 1.25, Ss, 2-61, 2-63, 2-73, 2-85, 3-33, 3-37, 3-49, 3-51, 3-67, 3-69  
 Nut, Hex, Std, M08 X 1.25, 2-107, 2-109  
 Nut, Hex, Std, M10 X 1.25, 2-75  
 Nut, Hex, Std, M10 X 1.5 , Ss, 2-79  
 Nut, Hex, Std, M10 X 1.5, 2-23, 2-79  
 Nut, Hex, Std, M12 X 2.0, 3-25  
 Nut, Retainer, .31-18, 2-59, 3-31, 3-47, 3-65  
 Nut, Thumb, M6 X 30mm Dia, 3-97  
 Nut, Valve, Cartridge, 4-18  
 Nut, Wheel, M14-1.5, 2-25  
 Nut, 4-3, 4-5, 4-17

**P**

Pad, Buff, 16.0d, Red, 2-9  
 Pad, Buff, 20.0d, Red, 2-7  
 Pad, Polish, 16.0d, White, 2-9  
 Pad, Polish, 20.0d, White, 2-7  
 Pad, Scrub, 16.0d, Blue, 2-9  
 Pad, Scrub, 20.0d, Blue, 2-7  
 Pad, Strip, 16.0d, Brown, 2-9  
 Pad, Strip, 20.0d, Brown, 2-7  
 Pad, Stripping, 16.0d[Hi Prod,Black, 2-9  
 Pad, Stripping, 20.0D[Hi Prod,Black, 2-7  
 Pad, Surf Prep, 20.0D [Mar, 1Pick=1Pad], 2-7, 2-9  
 Pad, 2-27  
 Panel Assy, Touch [8300], 2-17  
 Panel Wldt, Front W/ Label, 2-15  
 Panel Wldt, Perma-Filter, 2-91  
 Panel, Access, 2-91  
 Panel, Instmt, 2-17  
 Panel, Motor, Cover W/ Label, 2-25  
 Pedal Assy, Foot (Replaced by 1042524), 2-23  
 Pedal Assy, Propel, 36vdc, 2-23  
 Pedal Wldt, Accelerator, 2-23  
 Pedal, Brake, 2-27  
 Pin Wldt, Front, 2-69, 3-105, 3-107  
 Pin Wldt, Hinge, 2-13  
 Pin, Arm, Safety, 2-87  
 Pin, Clevis, .625 Dia X 5.25l, 3-41, 3-59  
 Pin, Clevis, 0.19 D X 0.63l, 2-67  
 Pin, Clevis, 0.25 D X 0.75l, 2-81  
 Pin, Clevis, 0.25 D X 1.00l, 2-81  
 Pin, Clevis, 0.25 D X 2.44l, 2-67  
 Pin, Clevis, 0.25d X 2.00l, 2-69, 3-107  
 Pin, Clevis, 0.31 D X 0.75l, 2-29  
 Pin, Clevis, 0.31 D X 0.88l, 3-35  
 Pin, Clevis, 0.31 D X 1.00l, 2-27  
 Pin, Clevis, 0.31d 0.88l, 2-61, 2-63, 3-33, 3-37, 3-49, 3-51, 3-67, 3-69  
 Pin, Clevis, 0.37 D X 0.62l, 2-73, 3-19  
 Pin, Clevis, 0.37 D X 0.75l, 3-49, 3-51, 3-67, 3-69

## CROSS REFERENCE

- Pin, Clevis, 0.37 D X 1.00l, 2-29, 2-61, 2-63, 3-33, 3-37  
Pin, Clevis, 0.37 D X 1.31l, 2-53, 3-25, 3-39, 3-57  
Pin, Clevis, 0.37 D X 1.50l, 2-61  
Pin, Clevis, 0.37 D X 1.75l, 2-89  
Pin, Clevis, 0.37 D X 2.00l, 2-59, 3-31, 3-47, 3-65  
Pin, Clevis, 0.37 D X 2.12l, 3-105  
Pin, Clevis, 0.37 D X 3.25l, 2-73, 3-19  
Pin, Clevis, 0.37 D X 4.00l, 2-75  
Pin, Clevis, 0.37D X 4.00L, 3-21  
Pin, Clevis, 0.38 D X 2.50l, 2-53, 3-25, 3-39, 3-57  
Pin, Clevis, 0.50 D X 1.75l, 2-49  
Pin, Clevis, 0.50 D X 1.87l, 2-59, 3-47  
Pin, Clevis, 0.50 D X 2.00l, 2-67  
Pin, Clevis, 0.50 D X 2.50l, 2-49, 2-53, 2-67, 3-25, 3-31, 3-39, 3-57  
Pin, Clevis, 0.50 D X 2.62l, 2-81  
Pin, Clevis, 0.50 D X 3.50l, 2-23  
Pin, Clevis, 0.50 D X 4.00l, 2-75, 3-21  
Pin, Clevis, 0.50 D X 5.50l, 2-49  
Pin, Clevis, 0.50D X 4.00L, 3-21  
Pin, Clevis, 0.75 D X 6.50l, 2-83  
Pin, Clevis, 2-87  
Pin, Cotter, .062 X 0.75, 2-15, 2-67, 2-69, 3-107  
Pin, Cotter, .094 X 0.75, 2-27, 2-29, 2-53, 2-59, 2-67, 2-73, 3-19, 3-21, 3-25, 3-31, 3-39, 3-47, 3-57, 3-65  
Pin, Cotter, .094 X 1.00, 2-89, 3-105  
Pin, Cotter, .125 X 0.75, 2-53, 3-25, 3-39, 3-57  
Pin, Cotter, .125 X 1.00, 2-23, 2-49, 2-53, 2-59, 2-75, 3-25, 3-31, 3-39, 3-47, 3-57  
Pin, Cotter, .125 X 1.25, 2-81  
Pin, Cotter, .156 X 1.25, 2-83  
Pin, Hair Cotter, 0.31 D .058 Wir, 3-49, 3-51, 3-67, 3-69  
Pin, Hair Cotter, 0.38 D .072 Wir, 2-61, 2-63, 3-33, 3-35, 3-37  
Pin, Hair Cotter, 0.62 D .120 Wir, 3-41, 3-59  
Pin, Hair Cotter, 0.69 D .092 Wir, 2-73, 3-19  
Pin, Hinge, Cover, 2-31  
Pin, Prong, 2-111  
Pin, Roll, .180 D X 1.25L, .187/.192, 2-85  
Pin, Roll, .250 D X 0.75l, .250/.256, 2-61, 2-63, 3-33, 3-37, 3-49, 3-51, 3-67, 3-69  
Pin, Roll, .250 D X 1.50l, .250/.256, 2-29  
Pin, Roll, .250 D X 2.00l, .250/.256, 2-73, 3-19  
Pin, Roll, .310 D X 0.75l, .312/.318, 2-25  
Pin, Valve, Strg, 4-19  
Pin, 2-19, 2-69, 2-87, 3-105, 3-107, 4-19  
Piston, 4-13  
Pivot Wldt, Guard, 2-69, 3-105, 3-107  
Pivot Wldt, Sqge Caster, 2-65  
Pivot, 2-77, 2-89  
Plate Assy, Orifice, 0.010ld, Purple, 4-24  
Plate Wldt, Floor, 2-11  
Plate Wldt, Stop, 3-39, 3-57  
Plate Wldt, 2-93  
Plate, Adapter, Brush, 2-73, 3-19  
Plate, Controlbox, 2-101  
Plate, Cover, 2-11  
Plate, Door, Brush, 2-79  
Plate, Floor, Upper, 2-11  
Plate, Floor, 2-11  
Plate, Headlight, 2-83  
Plate, Hinge, 2-15  
Plate, Latch, Lower, 2-91  
Plate, Latch, Upper, 2-91  
Plate, Mtg, Contactor, 2-103, 2-105  
Plate, Mtg, Door, 2-13  
Plate, Mtg, Tank, Detgt, 3-93  
Plate, Orifice, 0.067id, 2-33  
Plate, Orifice, 0.086id, 2-33  
Plate, Pin, Clevis, Upper, 2-87  
Plate, Seat, 2-21  
Plate, Slide, 2-67  
Plate, Spacer, Lift Arm, 2-87  
Plate, Stop, 2-27  
Plate, Wand, Clean-Out, 3-77  
Plate, Wear, 4-19  
Plate, 2-15, 2-73, 2-83, 3-19  
Plug, Cap, 2-31, 2-43  
Plug, Drive, Brush, Mach, 2-77  
Plug, Drive, Brush, Splined, 2-77, 2-79, 3-41, 3-59  
Plug, Hole, Rnd, 0.44h .03-.12, Blk Nyl, 3-75  
Plug, Hole, Rt, Rocker Switch, .87 X 1.7, 3-75  
Plug, Idler, Brush, 2-79  
Plug, O-Ring, 4-17  
Plug, Orifice, 0.052, Ss [FaST II+], 4-24  
Plug, Qm, .25npt, 3-97  
Plug, Resistor, 2-140  
Plug, 2-25, 3-97  
Powerunit, Hyd, 36Vdc (See Breakdowns), 2-95  
Powerunit, Hyd, 36Vdc, 4-15  
Pump Assy, Power Wand (See Breakdown), 3-99  
Pump Assy, 4-15  
Pump kit, Power Wand, 4-13  
Pump screw, 4-13  
Pump, Air, Ele, 36vdc, 2-35  
Pump, Detgt, 36vdc (See Breakdown), 3-93  
Pump, Detgt, 560s, 2-35  
Pump, Metering Solution, 4-14  
Pump, Soltn, 36vdc, 65psi [Fast li+], 2-39  
Pump, Soltn, Ele, 36vdc (See Breakdowns), 3-81  
Pump, Soltn, Ele, 36vdc, 2-33, 4-21  
Pump, Solution, Impeller, 36vdc, 3-75

## R

- Race Thrust, 4-16  
Rail Wldt, Lift, Cyl Head, 3-47, 3-65  
Rail Wldt, Lift, Disk Head, 2-59, 3-31  
Rail, 2-21  
Relay, 36vdc, 5a, Spdt, [Greenwich], 3-9  
Relay, 36vdc, 05a, Spdt N/O [Greenwich], 2-112  
Relay, 36Vdc, 005A, Spdt No [Greenwich], 2-113  
Relay, 36vdc, 100a, Sp N/O [White], 2-105  
Replacement Kit, Bellows, 4-14  
Reservoir, 4-15  
Resistor, 040.00 Ohm, 40watt, 2-105  
Resistor, 040.00ohm, 40watt, 2-103  
Resistor, 011.00 Ohm, 0040Watt [5%], 3-81  
Retainer, Bearing, 2-79, 3-41, 3-59  
Retainer, Blade, Front, 3-35  
Retainer, Front, 2-77, 2-79  
Retainer, Ring, 2-87  
Retainer, Spring, 2-23  
Retainer, Sqge, 2-61, 2-63, 3-33, 3-35, 3-37, 3-67  
Retainer, 2-77, 2-79  
Return Spring-Brakes, 2-29  
Ring, Brush, 4-9  
Ring, Mtg, Sqge, .50l, 2-69, 3-105, 3-107  
Ring, Retainer, Valve, Strg, 4-19  
Ring, Retaining, Ext, 0.50d, Hd, 2-89  
Ring, Retaining, Ext, 0.59d, Basic, 2-65  
Ring, Retaining, Ext, 0.75d, Hd, 2-85, 3-41, 3-59  
Ring, Retaining, Ext, 0.75d, Ss, 2-45, 3-79  
Ring, Retaining, Ext, 0.75d, 2-87  
Ring, Retaining, Ext, 0.88d, 2-87  
Ring, Retaining, Ext, 1.00od, 2-87  
Ring, Retaining, Ext, 1.75d, Hd, 2-87  
Ring, Retaining, Ext, 2-69, 3-105, 3-107  
Ring, Retaining, Int, 1.85d, Basic, 3-41, 3-59  
Ring, Retaining, Int, 2.00d, 2-87  
Ring, Retaining, 4-11  
Rivet, Plstc, .25 D X 0.75, 2-11  
Rivet, Plstc, .250 X 0.898, 2-51, 3-23, 3-101, 3-103  
Rivet, Pop, 3-97  
Rod Wldt, Cover, 2-13  
Rod Wldt, 2-41  
Rod, Link, 3-39, 3-57  
Rod, Rear Door, 2-15  
Rod, Thrd, 2 End M08x1.25 01.2, 2-79  
Rod, Thrd, 2 End M10x1.5 07.4, 2-65  
Rod, Thrd, 2 End, .25-28 04.4l, 2-23  
Rod, Thrd, Full, .25-20 01.5l, 2-103, 2-105  
Rod, Threaded, 2-29  
Rod-End, .62-18rh Fem 0.50-18stud, 3-39, 3-57  
Rod-End, .625-18, Lh, 3-39, 3-57  
Rod-End, M10 X 1.5rh Fem M10 X 1.5stud, 2-65

Rod, 2-15  
 Roller, 2-53, 2-59, 3-25, 3-31, 3-39, 3-47,  
 3-57, 3-65

**S**

Screen Wldt, 3-55, 3-73  
 Screen, 50 Mesh, Ss, 2-33  
 Screen, Filter, 80 Mesh, 2-37  
 Screen, Pump, 3-93  
 Screw, 6-32, 4-8  
 Screw, Adjuster, 4-15  
 Screw, Btn, M08 X 1.25 X 25, Ss, 2-71,  
 3-21  
 Screw, Cap, 4-19  
 Screw, Flat, #06-32 X 0.38, Al, 2-111  
 Screw, Flat, M05 X 0.8 X 16, 10.9, 2-91  
 Screw, Flat, M06 X 1.0 X 20, 10.9, 2-17  
 Screw, Flat, M06 X 1.0 X 25, 10.9, 2-83  
 Screw, Flat, M08 X 1.25 X 20, 10.9, 2-93  
 Screw, Flt, Phil, 10-32 X 0.31, 4-23  
 Screw, Hex, .25-20 X 0.38, 5, 2-103  
 Screw, Hex, .25-20 X 0.75, Sems, 3-49,  
 3-51, 3-67, 3-69  
 Screw, Hex, .31-18 X 1.00, Ss, NI, 2-51,  
 3-23  
 Screw, Hex, .38-16 X 1.00, NI, 2-51, 3-23  
 Screw, Hex, .50-13 X 0.75, 5, 3-9  
 Screw, Hex, .50-13 X 3.00, Ss, 2-65  
 Screw, Hex, #06-20 X 0.50, Fmg, [Ab],  
 2-93  
 Screw, Hex, #10-24 X 0.50, Ss, 2-41  
 Screw, Hex, M 5 X 0.8 X 12, 8.8, 2-105  
 Screw, Hex, M 6 X 1.0 X 16, 8.8, 2-105  
 Screw, Hex, M 6 X 1.0 X 16, Fmg, 3-35,  
 3-55, 3-73  
 Screw, Hex, M 6 X 1.0 X 20, NI, 2-105  
 Screw, Hex, M 6 X 1.0 X 20, Ss, 2-73  
 Screw, Hex, M 6 X 1.0 X 40, Ss, 2-109  
 Screw, Hex, M 8 X 1.25 X 20, 8.8, 2-109  
 Screw, Hex, M 8 X 1.25 X 20, Ss, 2-73  
 Screw, Hex, M 8 X 1.25 X 50, Ss, 3-25,  
 3-57  
 Screw, Hex, M04 X 0.7 X 12, 8.8, 3-77  
 Screw, Hex, M04 X 0.7 X 20, 8.8, 3-101  
 Screw, Hex, M04 X 0.7 X 20, Fmg, 2-103  
 Screw, Hex, M05 X 0.8 X 12, 8.8, 2-77,  
 2-79, 2-103  
 Screw, Hex, M05 X 0.8 X 12, Ss, 3-41,  
 3-59  
 Screw, Hex, M05 X 0.8 X 16, 8.8, 2-83,  
 2-101  
 Screw, Hex, M05 X 0.8 X 16, Ss, 2-49  
 Screw, Hex, M05 X 0.8 X 25, Ss, 2-45,  
 3-79  
 Screw, Hex, M06 X 1.0 X 12, 8.8, 2-91  
 Screw, Hex, M06 X 1.0 X 12, Ss, 3-49,  
 3-51, 3-55, 3-67, 3-69, 3-73  
 Screw, Hex, M06 X 1.0 X 16, 8.8, 2-19,  
 2-83, 2-87, 2-103, 2-111  
 Screw, Hex, M06 X 1.0 X 16, Fmg, 2-11  
 Screw, Hex, M06 X 1.0 X 16, Ss, NI,  
 2-77, 2-87

Screw, Hex, M06 X 1.0 X 16, Ss, 2-55,  
 2-57, 2-73, 2-77, 2-79, 3-19, 3-27,  
 3-29, 3-41, 3-43, 3-45, 3-59, 3-61,  
 3-63, 3-75  
 Screw, Hex, M06 X 1.0 X 20, 8.8, 2-13,  
 2-27, 2-77, 2-81, 2-87, 2-93, 3-9  
 Screw, Hex, M06 X 1.0 X 20, Fmg, 2-49  
 Screw, Hex, M06 X 1.0 X 20, Ss, 2-53,  
 2-61, 2-63, 2-67, 3-31, 3-33, 3-37,  
 3-55, 3-73  
 Screw, Hex, M06 X 1.0 X 25, 8.8, 2-23,  
 2-83  
 Screw, Hex, M06 X 1.0 X 25, Ss, 2-17,  
 2-41, 3-75, 3-99  
 Screw, Hex, M06 X 1.0 X 35, 8.8, 2-19  
 Screw, Hex, M06 X 1.0 X 35, Ss, 3-111  
 Screw, Hex, M06 X 1.0 X 40, Ss, 2-59,  
 2-107, 3-31, 3-47, 3-65  
 Screw, Hex, M06 X 1.0 X 50, 8.8, 3-9  
 Screw, Hex, M06 X 1.0 X 20, 8.8, 2-11  
 Screw, Hex, M06 X 1.0 X 20, Fmg, 2-11  
 Screw, Hex, M06 X 1.0 X 20, Ss, 3-47,  
 3-65  
 Screw, Hex, M06 x 1.0 x 35, 8.8, 2-103  
 Screw, Hex, M06 X 1.25 X 25, Ss, NI,  
 2-59  
 Screw, Hex, M06-1.0 X 12, Fmg, 2-23  
 Screw, Hex, M08 X 1.00 X 20, Ss, 2-59  
 Screw, Hex, M08 X 1.25 X 12, 8.8, 2-77,  
 2-79  
 Screw, Hex, M08 X 1.25 X 16, 8.8, 2-25,  
 2-41, 2-83  
 Screw, Hex, M08 X 1.25 X 16, Ss, NI,  
 3-77  
 Screw, Hex, M08 X 1.25 X 16, Ss, 2-21,  
 2-43, 2-47, 3-43, 3-45, 3-61, 3-63,  
 3-75  
 Screw, Hex, M08 X 1.25 X 20, 8.8, 2-11,  
 2-13, 2-25, 2-75, 2-77, 2-79, 2-81,  
 2-89, 2-91, 2-93, 2-95, 2-101, 2-107  
 Screw, Hex, M08 X 1.25 X 20, Ss, NI,  
 2-31, 2-43, 2-55, 2-57, 2-77, 3-27,  
 3-29, 3-101  
 Screw, Hex, M08 X 1.25 X 20, Ss, 2-11,  
 2-15, 2-43, 2-85, 3-25, 3-111, 3-113,  
 3-117, 3-119, 3-121  
 Screw, Hex, M08 X 1.25 X 25, 8.8, 2-11,  
 2-73, 2-83, 2-93, 3-5, 3-7, 3-19  
 Screw, Hex, M08 X 1.25 X 25, Ss, NI,  
 2-61, 2-63, 3-33, 3-37  
 Screw, Hex, M08 X 1.25 X 25, Ss, 2-15,  
 2-51, 2-65, 2-67, 3-23, 3-39, 3-57,  
 3-75, 3-99, 3-105  
 Screw, Hex, M08 X 1.25 X 30, 8.8, 2-71,  
 2-79, 2-85, 3-21  
 Screw, Hex, M08 X 1.25 X 30, Ss, 2-31,  
 3-77  
 Screw, Hex, M08 X 1.25 X 35, 8.8, 2-27,  
 2-83  
 Screw, Hex, M08 X 1.25 X 35, Ss, 2-61,  
 2-63, 3-33, 3-37, 3-93, 3-111  
 Screw, Hex, M08 X 1.25 X 40, 8.8, 2-81,  
 2-103, 2-105

Screw, Hex, M08 X 1.25 X 40, Ss, 2-27,  
 2-85  
 Screw, Hex, M08 X 1.25 X 45, Ss, 2-59,  
 3-31, 3-47, 3-65  
 Screw, Hex, M08 X 1.25 X 50, 8.8, 2-81,  
 2-87  
 Screw, Hex, M08 X 1.25 X 60, Ss, 3-31,  
 3-65  
 Screw, Hex, M08 X 1.25 X 70, Ss, 2-69,  
 3-105, 3-107  
 Screw, Hex, M08 X 1.25 X 80, 8.8, 2-95  
 Screw, Hex, M08 X 1.25 X 100, Ss, 2-69,  
 3-107  
 Screw, Hex, M08 X 1.25 X 130 Ss, 3-105  
 Screw, Hex, M08 X 1.25 X 16, 8.8, 2-11  
 Screw, Hex, M08 X 1.25 X 160, 8.8, 2-49  
 Screw, Hex, M08 X 1.25 X 20, 8.8, 2-11,  
 3-21  
 Screw, Hex, M08 X 1.25 X 20, Ss, 3-57  
 Screw, Hex, M08 X 1.25 X 25, Ss, 3-25,  
 3-57  
 Screw, Hex, M08x1.25 X12,Ss, 3-49, 3-51,  
 3-67, 3-69  
 Screw, Hex, M08X1.25X90, 8.8, 2-79  
 Screw, Hex, M10 X 1.5 X 16, 8.8, 2-19  
 Screw, Hex, M10 X 1.5 X 20, 8.8, 3-13,  
 3-15  
 Screw, Hex, M10 X 1.5 X 20, Ss, 2-75,  
 3-21, 3-41, 3-59  
 Screw, Hex, M10 X 1.5 X 25, 8.8, 2-83  
 Screw, Hex, M10 X 1.5 X 25, Ss, N, 2-73  
 Screw, Hex, M10 X 1.5 X 25, Ss, NI, 3-19  
 Screw, Hex, M10 X 1.5 X 25, Ss, 2-51,  
 2-85, 3-11, 3-13, 3-23, 3-25, 3-57  
 Screw, Hex, M10 X 1.5 X 30, Ss, 2-67,  
 3-41, 3-59  
 Screw, Hex, M10 X 1.5 X 35, 8.8, 2-23,  
 2-79, 3-87, 3-89  
 Screw, Hex, M10 X 1.5 X 35, Ss, 2-31,  
 2-43  
 Screw, Hex, M10 X 1.5 X 60, 8.8, 2-23  
 Screw, Hex, M10 X 1.5 X 60, Ss, 2-65,  
 2-67  
 Screw, Hex, M10 X 1.5 X 90, Ss, 2-79  
 Screw, Hex, M10 X 1.5 X 30, Ss, 2-65  
 Screw, Hex, M10 X 1.5 X 50, Ss, 2-85  
 Screw, Hex, M10 X 1.5 X 80, 8.8, 2-85  
 Screw, Hex, M10 X 1.50 X 70, 8.8, 2-85  
 Screw, Hex, M12 X 1.75 X 40, 8.8, 3-25  
 Screw, Hex, M12 X 1.75 X 25, 8.8, 2-11,  
 2-25  
 Screw, Hex, M12 X 1.75 X 30, Ss, 2-69,  
 3-105, 3-107  
 Screw, Hex, M12 X 1.75 X 40, 8.8, 2-29  
 Screw, Hex, M12 X 1.75 X 50, 8.8, 2-89  
 Screw, Hex, M12 X 1.75 X 50, Ss, 3-49,  
 3-51, 3-67, 3-69  
 Screw, Hex, M12 X 1.75 X 80, 8.8, 2-73,  
 2-89, 3-19  
 Screw, Hex, M12 X 1.75 X 120, 8.8, 2-79  
 Screw, Hex, M16 X 2.0 X 20, 8.8, 2-77,  
 2-79  
 Screw, Hex, M4 X 0.7 X 12, 8.8, 2-35

## CROSS REFERENCE

- Screw, Hex, M4 X 0.70 X 50, Ss, 4-23  
Screw, Hex, M5 X 0.8 X 16, Ss, 3-111  
Screw, Hex, M5 X 0.8 X 16, 8.8, 2-112  
Screw, Hex, M5 X 0.8 X 20, 8.8, 2-33  
Screw, Hex, M5 X 0.80 X 12, 8.8, 2-39, 2-113, 3-81  
Screw, Hex, M6 X 1.0 X 16, 8.8, 2-33, 2-35  
Screw, Hex, M6 X 1.0 X 30, 8.8, 2-112  
Screw, Hex, M6 X 1.0 X 12, Fmg, 3-87, 3-89  
Screw, Hex, M6 X 1.00 X 12, Ss, 3-87, 3-89  
Screw, Hex, M6 X 1.00 X 16, 8.8, 2-39  
Screw, Hex, M6 X 1.00 X 16, NI, Ss, 2-73  
Screw, Hex, M6 X 1.00 X 20, 8.8, 2-47  
Screw, Hex, M6 X 1.00 X 20, 9.8, Sems, 3-81  
Screw, Hex, M6 X 1.00 X 25, Fmg, 2-23  
Screw, Hex, M6 X 1.00 X 35, 8.8, 2-105  
Screw, Hex, M6X1.0X16, Ss, NI, 2-19  
Screw, Hex, M6X1.0X20, Ss, 3-53, 3-71  
Screw, Hex, M8 X 1.25 X 16, Ss, NI, 3-45, 3-63  
Screw, Hex, M8 X 1.25 X 20, 8.8, 2-35  
Screw, Hex, M8 X 1.25 X 25, Ss, 2-35  
Screw, Hex, M8 X 1.25 X 16, 8.8, 2-39, 3-81  
Screw, Hex, M8 X 1.25 X 20, Ss, 3-115  
Screw, Hex, M8 X 1.25 X 25, 9.8, Sems, 3-81  
Screw, Hex, M8 X 1.25 X 30, 8.8, 3-81  
Screw, Hex, M8 X 1.25 X 50, Ss, Fl, 2-93  
Screw, Hex, M8X1.25 X 35, 8.8, 2-83  
Screw, Mtg, 4-15  
Screw, Pan, .25-20 X 1.00, 2, 2-23  
Screw, Pan, .31-18 X 0.75, G1, 2-21  
Screw, Pan, #06-32X0.38, 1, 2-101  
Screw, Pan, #10-14 X 0.75, F/Plstc, 3-77  
Screw, Pan, #10-14 X 0.75, F/Plstc, 3-5, 3-9  
Screw, Pan, #10-14X0.75, F/Plstc, 3-103  
Screw, Pan, #12-16 x 0.50, F/Plstc, 3-130  
Screw, Pan, M 4 X 0.7 X 6, 4.8, 2-105  
Screw, Pan, M 5 X 0.8 X 6, 4.8, 2-105  
Screw, Pan, M04 X 0.7 X 10, Ss, 2-15, 2-91  
Screw, Pan, M04 X 0.7 X 20, Ss, 3-93  
Screw, Pan, M04 X 0.7 X 35, Ss, 2-7, 3-41, 3-59, 3-111  
Screw, Pan, M04 X 0.7 X 35, Ss, 2-9  
Screw, Pan, M05 X 0.8 X 6, 4.8, 2-23  
Screw, Pan, M05 X 0.8 X 25, Ss, 3-39, 3-57  
Screw, Pan, M06 X 1.0 X 10, Ss, 3-41, 3-59  
Screw, Pan, M06 X 1.0 X 35, Ss, 2-7  
Screw, Pan, M06 X 1.0 X 35, Ss, 2-9  
Screw, Pan, M06-1.0 X 12, NI, 2-83  
Screw, Pan, Phl, .31-18 X 1.00, G2, 2-21  
Screw, Pan, Phl, M5 X 0.80 X 16, Tcut, Ss, 4-23  
Screw, Set, .31-18 X 0.50, Soc, 2-93  
Screw, Set, #10-32 X 0.38, Al, 3-41, 3-59  
Screw, Set, M06 X 1.0 X 8, NI, 2-76  
Screw, Soc, M08 X 1.25 X 25, 12.9, 2-23, 3-31, 3-47, 3-65  
Screw, Soc, M08 X 1.25 X 60, 12.9, 2-25  
Screw, Soc, M08 X 1.25 X 80, 12.9, 2-25  
Screw, Soc, M10 X 1.5 X 25, 12.9, 2-89  
Screw, Soc, M12 X 1.75 X 45, 2-19  
Screw, 4-3, 4-13, 4-16  
Seal connector, 4-13  
Seal Kit, Cartridge, 4-18  
Seal kit, 4-13  
Seal, Bulb, [Sd-168], 12.50l, 2-25  
Seal, Bulb, [Sd-504], 15.52l, 2-25  
Seal, Bulb, [Sd-504], 15.60l, 2-13  
Seal, Bulb, [Sd-504], 2.40l, 2-13  
Seal, Bulb, [Sd-504], 21.70l, 2-13  
Seal, Bulb, [Sd-504], 25.00l, 2-13  
Seal, Bulb, [Sd-504], 27.90l, 2-25  
Seal, Bulb, [Sd-504], 4.20l, 2-13  
Seal, Bulb, [Sd-504], 5.30l, 2-13  
Seal, Bulb, [Sd-504], 5.70l, 2-13  
Seal, Bulb, [Sd-504], 13.80l, 2-13  
Seal, Cup, Lower, 4-15  
Seal, Cup, Upper, 4-15  
Seal, Fan, 4-5  
Seal, Horiz, 2-91  
Seal, Hppr, Horiz, 2-3, 2-83  
Seal, Hppr, Vertical, 2-3, 2-83  
Seal, O-Ring, .072 X .35id, 4-17  
Seal, O-Ring, .139 X 2.98id, 2-25  
Seal, O-Ring,, 4-17  
Seal, O-Ring, 2-25  
Seal, Rbr, Clsd, 0.25th, 5.8d 03.3h, 2-3, 2-4, 2-5, 2-47  
Seal, Rbr, Clsd, 0.375, 5.0D 2.5H, 2-47  
Seal, Vac Fan, 2-5, 2-93  
Seal, Vacfan, [8010], 2-3  
Seal, Vertical, 2-91  
Seal, Wire, 14/16ga [Wp / Mp280 Sealed], 4-21  
Seal, 2-5, 2-45, 3-79, 4-11  
Seat (Replaced by 9005082), 2-21  
Seat, Std [Michigan, Model V-2505], 2-21  
Seat, Suspension, 3-17  
Seatbelt, 3-15  
Sensor, Level, Liquid [Magnetic], 2-43, 3-77  
Sensor, Level, Liquid, 14vdc 01a .62-11, 2-43  
Sensor, Pedal Position, 2-23  
Sensor, Position, Pedal, 2-23  
Shaft, Drive, Brush, 3-41, 3-59  
Shaft, Output, 4-16  
Shaft, Thrd, 3-21  
Shaft, Threaded, 2-75, 2-79  
Shaft, 2-29, 2-76, 2-77, 2-89, 2-93  
Sheave, [3v], 1grv, 02.6pd 0.63b, 2-93  
Sheave, [3v], 1grv, 04.7pd 0.75b, 2-93  
Sheave, Flat, 2.6d 0.62w, 0.38b, 2-77  
Sheave, Idler, 15mm Id, 2.44pd, 2-81  
Sheave, 2-76, 2-77  
Shell, 4-3, 4-5  
Shoe, Plstc, Sqge, 14inch, 3-103  
Shunt, 2 Hd Motor, Red [SCB 515] (For Heavy Duty Motor), 2-59  
Shunt, 2 Std Motor, Blk [SCB 515] (For Standard Motor), 2-59  
Shunt, 2Hd Mtrs, Scrub 515, Red, 3-47, 3-65  
Shunt, 3 Std Mtrs, Scrub 515, Yellow, 3-31  
Skirt, Front, Scrub Head, 2-Brush, Ele, 2-3, 2-4, 2-51  
Skirt, Front, Scrub Head, 3-Brush, Ele, 2-3, 3-23  
Skirt, Lh, 2-3, 2-77  
Skirt, Rear, Scrub Head, 2-Brush, Ele, 2-3, 2-4, 2-51  
Skirt, Rear, Scrub Head, 3-Brush, Ele, 2-3, 3-23  
Skirt, Recirculation, 2-3, 2-5, 2-85  
Skirt, Rh, 2-3, 2-79  
Skirt, Side, Scrbr Head, Ele, 2-3, 2-4  
Skirt, Side, Scrub Head, 2-Brush, Ele, 2-51  
Skirt, 2-71, 3-21  
Sleeve Wldt, Lh, 2-29  
Sleeve Wldt, Rh, 2-29  
Sleeve, .318B .589D .325Ss, 2-79  
Sleeve, .335b X .62d X .52l, Sst, 3-33, 3-37  
Sleeve, .38b X .75d X 1.5l, Bronze, 2-49  
Sleeve, 0.32b 0.50d 0.3l, 2cham, Ss, 2-39  
Sleeve, 0.62d 0.34b 1.19l Brnz, 3-105  
Sleeve, Nyl, #15 14.0l, 2-107, 2-109  
Sleeve, P/M 0.625D 0.406B 0.38L 430Ss, 2-75  
Sleeve, P/M, 0.625d 0.335b 0.52l Ss, 2-61, 2-63  
Sleeve, P/M, 0.625D 0.406B 0.38L 430Ss, 3-21  
Sleeve, P/M, 0.745d 0.438b 0.50l 430ss, 2-67  
Sleeve, 2-15, 2-27, 2-43, 2-59, 2-61, 2-63, 2-67, 2-69, 2-73, 2-85, 3-19, 3-31, 3-33, 3-37, 3-47, 3-65, 3-105, 3-107  
Snap Ring, 4-6, 4-8  
Solenoid, Filter Shaker, 2-91  
Solenoid, Valve, Hyd, 36vdc, 4-18  
Spacer, .41b .63d .13l, Ss 430pm, 2-65  
Spacer, Battery, Lh, 3-115, 3-117  
Spacer, Battery, Rear, 3-115, 3-117, 3-119, 3-121  
Spacer, Battery, Rh, 3-115, 3-117  
Spacer, Flanged, 2-75, 3-21  
Spacer, Fltr, Horiz, 2-91  
Spacer, Fltr, Vertical, 2-91  
Spacer, Idler .25 Lg, 2-81  
Spacer, Latch, Filter, 2-43  
Spacer, Plate, 3-25, 3-39, 3-57  
Spacer, Rnd, .38B .88D .63L, 2-21  
Spacer, Rod-End, 3-39, 3-57  
Spacer, Short, 2-85  
Spacer, Washer, 2-53, 3-25, 3-39, 3-57  
Spacer, 2-23, 2-85, 2-93, 4-3, 4-5, 4-16, 4-19

Spring, Bearing, 4-9  
 Spring, Brush, 4-10, 4-11, 4-20  
 Spring, Cmpr, 0.36od .04wir 2.5l, 2-15  
 Spring, Cmpr, 1.5 Od .75id X 2.5l, 2-49  
 Spring, Cmpr, .87od .042wir 2.0l, 2-69, 3-105, 3-107  
 Spring, Compression, 3-97  
 Spring, Cover, 2-31  
 Spring, Die, 1.00od 0.50id 1.25l, 2-73, 3-19  
 Spring, Die, 1.00od 0.50id 2.00l, 2-65  
 Spring, Extn, 0.50Od X 0.04Wir, 3.0L, 2-81  
 Spring, Extn, 0.75od X 0.09wir, 2.5l, 2-61, 2-63, 3-33, 3-37, 3-49, 3-51, 3-67, 3-69  
 Spring, Extn, 1.00od X 0.11wir, 5.5l, 2-27  
 Spring, Extn, 1.10od X 0.15wir, 3.2l, 2-73, 3-19  
 Spring, Extn, 1.69od X 0.20wir, 9.5l, 2-67, 3-105  
 Spring, Extn, 0.43OD 0.05Wir 01.4L, 2-91  
 Spring, load, 4-3  
 Spring, Motor, 3-41, 3-59  
 Spring, Retaining, Brush, 4-8  
 Spring, Tors, .81ld .09W 3.0 Coil, 2-85  
 Spring, Tors, 0.75id .06wir 02.8coil, 2-27  
 Spring, Torsion, 2-19  
 Spring, Wir, 0.16d, Brush Retaining, 2-7, 2-9  
 Spring, 3-9, 4-5, 4-9, 4-15  
 Sprocker, Timing, 4.26Pd, 68 Grv, Pl, 3-41  
 Sprocket Wldt, #40, 96tooth, 7.00 B, 2-25  
 Sprocket Wldt, 2-87  
 Sprocket, #40 24-Tooth, 2-19  
 Sprocket, Hopper, 2-87  
 Sprocket, Idler, 2-89  
 Sprocket, Timing, 23tooth, 0.625b, 3-41, 3-59  
 Sprocket, Timing, 4.261Pd, 68Grv, Pl, 3-59  
 Squeegee, Side, Ure, [7300/830], 3-108, 3-109  
 Squeegee, Side, 2-3, 2-4, 2-61, 2-63, 3-33, 3-37, 3-49, 3-51, 3-67, 3-69  
 Stand-Off, 1.25, Metal, 2-111  
 Stand-Off, 1.25, Plstc, 2-111  
 Stationary Fan, 4-5  
 Steer-Control, Hyd (Replaced by 387653), 2-19  
 Steer-Control, Hyd (See Breakdowns), 2-19  
 Steer-Control, Hyd, 4-19  
 Stem, Valve, Hyd, 4-18  
 Stop Wldt (Replaced by 398454), 3-111  
 Stop Wldt, 3-111  
 Stop, 2-11  
 Strainer, Pump, Es, 3-77  
 Strainer, Soltn, Switch Guard (Repl By 1019285), 3-77  
 Strainer, Soltn, Switch Guard (Repl. By 387649), 2-43  
 Strainer, Tank, Solution, 3-77  
 Strap, 2-45, 3-79

Strip, Flap, 2-85  
 Strip, Nonslip, 2-69, 3-105, 3-107  
 Strip, Recirculation Flap, 2-85  
 Strip, Retainer, 3-97  
 Strip, Stl, 0.05th X 00.75w, 07.80l, 2-23  
 Strip, 2-71, 3-21  
 Stud, .31-18 2.75l M8 X 1.25, Ss, 2-69, 3-105, 3-107  
 Stud, Adj, 3-97  
 Stud, Ball, .39d .31-16, Gasspring, 2-59, 3-31, 3-47, 3-65  
 Support Wldt, 2-67  
 Switch Assy, Dual Press, 14" Tube, 3-77  
 Switch Assy, Press, 3 Inch, 8" Tube, 3-77  
 Switch Assy, Press, 4 Inch, 2-43  
 Switch Assy, Roller, No, 2-83  
 Switch assy, 4-13  
 Switch, Limit, No, 3-111  
 Switch, No (Replaced by 398454), 3-111  
 Switch, Press, 25 Psi, Pm02, 3-81  
 Switch, Rocker, 36vdc 05a Progressive, 2-112  
 Switch, Rocker, Prgrsv, 2-113, 3-83  
 Switch, Rocker, Spst, Mom, 4-23  
 Switch, Rocker, 2-17, 3-5, 3-7, 3-101  
 Switch, Seat, No [Delta 6440-04], 2-21  
 Switch, Seat, 2-21  
 Switch, Start, 2-17  
 Switch, Vacuum, Dual Level, 2-47  
 Switch, 2-17

**T**

Tag, Operator, [8300], 2-142  
 Taillight, 12vdc, 3.6 X 1.9, Rework87277, 2-11  
 Tank Kit, Recvy, W/ Label, Replmt [8300], 2-43  
 Tank Kit, Soltn, W/ Label, Replmt [8300], 2-31  
 Tank, Detergent, 3-93  
 Tape, Foam, 2-111  
 Terminal female, 4-13  
 Terminal, [Metripk630], Fem 10, 4-9  
 Terminal, Fem, Mp280, Sealed, 18-16ga, 4-21  
 Terminal, Female, 4-5, 4-6, 4-7  
 Terminal, female, 4-3  
 Terminal, Qdc, [.25m, Tab , ], 2-91  
 Terminal, 4-10, 4-12, 4-20  
 Thermostat, 2-91  
 Tie, Cable, Nyl, 07.3l .19w 1.8 Max D, 2-21, 2-55, 2-57, 2-83, 2-91, 3-5, 3-9, 3-27, 3-29, 3-77, 3-101  
 Tie, Cable, Nyl, 07.3L .19W 1.8MaxD, 2-91  
 Tie, Cable, Nyl, 11.4l .19w 3.0 Max D, 2-51, 3-23  
 Tie, Cable, Nyl, 14.5l .30w 4.0 Max D, 2-55, 2-57, 3-27, 3-29  
 Tie, Cable, Nyl, 28.5l .50w 8.0 Max D, 2-107, 2-109  
 Timer, 36vdc, 5a [25hz Pwm, 70%Duty], 2-105

Timer, 9-41vdc, Recycling, 2-112  
 Tire Assy, 16 X 5 X 12.12 Non-Skid, 3-129  
 Tire Assy, 16 X 5 X 12.12, 2-3, 2-29  
 Tire Assy, Solid, 16.2X6.0 5.7Bc/5 Bolt, 2-25  
 Tire Assy, Solid, 16.2x6.0 5.7bc/5bolt, 2-3  
 Tire Assy, Solid, 16.3x6.0 5.7bc/5bolt, 3-128  
 Tire, Non-Skid 16.25x6x11.25, 3-128  
 Tire, Solid, 16.2X6.0X11.2, 2-25  
 Tire, Solid, 16X5X12.12, 2-29  
 Tray Wldt, Battery, 500ah, 750ah, 3-119  
 Tray Wldt, Battery, 1000ah, 3-121  
 Tray Wldt, Power Wand, 3-101  
 Tray, Debris, 40.0l, 3-55  
 Tray, Debris, 40L, W/Holes, 3-53  
 Tray, Debris, 48.0l, 3-73  
 Tray, Debris, 48L, W/Holes, 3-71  
 Tread, Floor, 12.5 X 5.75, 3-25, 3-57  
 Tread, Non Skid, 2.2w 11.5l, 2-23  
 Tread, Non-Skid, 02.2 11.5, 2-23  
 Tread, Non-Skid, 06.0w X 15.5l, 2-23  
 Tread, Non-Skid, 2-23  
 Tread, Step, 3-25  
 Tube Assy, 2 Inch, 2-43  
 Tube Assy, Spray Bar 40" [7300/8300], 3-45  
 Tube Wldt, Brush, 2-79  
 Tube Wldt, Upper, 3-55, 3-73  
 Tube Wldt, 3-35, 3-55, 3-73  
 Tube, 0.34id 0.62od 00.2l, Stl, 3-81  
 Tube, 0.69ld 1.25Od 00.4L, Blk, Rod-End, 2-53, 3-25, 3-39, 3-57  
 Tube, Guard, Oprtr, Pnt, Lh, 3-13  
 Tube, Guard, Oprtr, Pnt, Rh, 3-13  
 Tube, Pvc, Shc80, Clear, 4.0l, 2-37  
 Tube, Wand, Vacuum, Metal, 3-103

**V**

Vacuum Fan, 4-5  
 Valve Kit, Pump, 4-14  
 Valve Stem, 4-17  
 Valve, Ball, Drain, 1.50ID, Ss, Rwk, 3-87, 3-89  
 Valve, Check, 2 Gpm 0.5psi Bm04/Bm04, 2-35  
 Valve, Check, 2 Gpm 3" 06bm/08bm, 2-33  
 Valve, Check, 0002psi [Fast li+], 4-24  
 Valve, Check, 0005psi [Fast li+], 4-24  
 Valve, Check, 0005psi Bm06/Bm08, 2-39  
 Valve, Check, 0030psi Pm04/Pf04, 3-81  
 Valve, Cntrl, Hyd, Solenoid, 36Vdc 06Gpm (See Breakdowns), 2-95  
 Valve, Cntrl, Hyd, Solenoid, 36vdc 06gpm, 4-18  
 Valve, Flow Control, Hose Adapter, 3-77  
 Valve, Hyd, Solenoid (See Breakdowns) Replaced by 1049212, 2-95  
 Valve, Hyd, Solenoid, 4-17  
 Valve, Solenoid, 0.25" Orifice, 24vdc, 4-23  
 Valve, Solenoid, 36vdc, 3-75

## CROSS REFERENCE

Valve, Stem, 4-17  
Valve, Vent, Air, Float Type, 3-81  
Valve, Water, 36vdc, 6.0mm, 04pf, 2-33  
Valve, Water, Solenoid, 36vdc 6.0mm  
Pf04, 2-39  
Valve, Water, 2-41, 2-55, 2-57, 3-27, 3-29,  
3-43, 3-45, 3-61, 3-63, 3-97  
Video, Operator, Vhs, Ntsc [8300], 3-131  
Video, Oprtr, Training, Dvd [8300], 3-131

### W

Wand, Clean-Out, 3-77  
Wand, 3-97  
Washer, 0.25b 1.12d .12, Ss, 3-41, 3-59  
Washer, .625 B, 2.50 Od, .211 T, Ss, 2-73,  
3-19  
Washer, 0.31b 0.88d .12, Rbr, 2-31, 3-77  
Washer, 0.40B 1.12D .12, Stil, Pl, 3-39,  
3-57  
Washer, 0.40b 1.12d .12, Stil, Pl, 2-47  
Washer, 0.53b 1.75d .12, Stil, Pl, 2-89  
Washer, 0.53b 1.88d .12, Stil, Pl, 2-69,  
3-105, 3-107  
Washer, 0.60b 1.31d .10, Ss, 2-65  
Washer, 0.81b 1.24d .03, Stil, Pl, 2-75,  
3-21  
Washer, Belleville, .31, 2-51, 3-23  
Washer, Belleville, .38, 2-25  
Washer, Finish, M06, Pl, 2-17  
Washer, fl neo, 10.8x22x1.5, 4-3  
Washer, Flat, .25 Fender, 2-13, 2-79  
Washer, Flat, .31 Fender, 2-71, 3-21  
Washer, Flat, .38 Ss, 2-73, 3-19  
Washer, Flat, .38 Std, 2-67  
Washer, Flat, .50 Sae, 3-21  
Washer, Flat, #06, 2-35  
Washer, Flat, #10 Ss, 2-105, 3-111  
Washer, Flat, #10, 2-33  
Washer, Flat, 0.25 Sae, 2-105, 3-35, 3-55,  
3-73  
Washer, Flat, 0.25 Ss, 2-73, 2-109, 3-53,  
3-71  
Washer, Flat, 0.25 Std, 2-33, 2-35, 2-105,  
2-109  
Washer, Flat, 0.25, Sae, 2-47  
Washer, Flat, 0.25, Std, 3-81  
Washer, Flat, 0.31 Sae, 2-105, 3-111  
Washer, Flat, 0.31 Ss, 3-25, 3-57, 3-111  
Washer, Flat, 0.31 Std, 2-35, 2-83, 2-105  
Washer, Flat, 0.31, Std, 2-39  
Washer, Flat, 0.34b 0.75d 0.12, Viton,  
2-33  
Washer, Flat, 0.34b 0.69d .06, Nyl, 3-83  
Washer, Flat, 0.38 Std, 2-75, 3-21, 3-45,  
3-63  
Washer, Flat, 0.38b 0.88d .08, Ss, 3-115  
Washer, Flat, 0.40b 1.12d .12, Stil, Pl, 2-49  
Washer, Flat, 08, Ss, 4-23  
Washer, Flat, 1.00 Sae Hard, 2-29  
Washer, Flat, 1.00, Sae, 2-87  
Washer, Flat, 1.50 Std Hard, 2-107, 2-109  
Washer, Flat, 10, Ss, 2-39, 3-81

Washer, Flat, 10, 2-113  
Washer, Flat, M10, 10.5x21x2ss, 2-85  
Washer, Flat, M12, 13x24x2.5ss, 3-49,  
3-51, 3-67, 3-69  
Washer, Flat, 2-67  
Washer, Flt, .25 Sae, 2-17, 2-77, 2-83,  
2-87, 2-91, 2-103, 2-107, 2-111, 3-9  
Washer, Flt, .25 Ss, 2-7, 2-9, 2-11, 2-15,  
2-41, 2-49, 2-59, 2-61, 2-63, 2-67,  
2-69, 2-73, 2-107, 3-19, 3-31, 3-33,  
3-37, 3-41, 3-43, 3-45, 3-47, 3-49,  
3-51, 3-55, 3-59, 3-61, 3-63, 3-65,  
3-67, 3-69, 3-73, 3-75, 3-87, 3-89,  
3-99, 3-107  
Washer, Flt, .25 Std, 2-23, 2-27, 2-55,  
2-57, 2-77, 2-83, 2-91, 2-103, 2-107,  
3-27, 3-29  
Washer, Flt, .31 Sae, 2-27, 2-71, 2-77,  
2-79, 2-103, 3-5, 3-7, 3-21  
Washer, Flt, .31 Ss, 2-15, 2-21, 2-27, 2-31,  
2-43, 2-49, 2-51, 2-55, 2-57, 2-59,  
2-61, 2-63, 2-67, 2-69, 2-73, 3-19,  
3-23, 3-25, 3-27, 3-29, 3-31, 3-33,  
3-37, 3-43, 3-45, 3-47, 3-61, 3-63,  
3-65, 3-75, 3-77, 3-93, 3-99, 3-105,  
3-107, 3-111, 3-117, 3-119, 3-121  
Washer, Flt, .31 Std, 2-11, 2-13, 2-25,  
2-41, 2-71, 2-73, 2-75, 2-77, 2-79,  
2-81, 2-83, 2-85, 2-89, 2-91, 2-93,  
2-95, 2-101, 2-103, 3-17, 3-19, 3-21,  
3-25  
Washer, Flt, .31, 3-101  
Washer, Flt, .38 Sae, 2-23, 2-75, 2-77,  
3-21  
Washer, Flt, .38 Ss, 2-31, 2-43, 2-51, 2-53,  
2-59, 2-61, 2-63, 2-65, 2-67, 3-11,  
3-13, 3-23, 3-25, 3-31, 3-33, 3-37,  
3-39, 3-41, 3-47, 3-49, 3-51, 3-57,  
3-59, 3-65, 3-67, 3-69, 3-105  
Washer, Flt, .38 Std, 2-75, 2-77, 2-83,  
2-93, 3-13, 3-21, 3-87, 3-89  
Washer, Flt, .50 Sae, 2-19, 2-23, 2-29,  
2-73, 2-77, 2-79, 2-81, 2-89, 3-9,  
3-19, 3-25  
Washer, Flt, .50 Ss, 2-49, 2-69, 3-105,  
3-107  
Washer, Flt, .50 Std, 2-11, 2-49, 2-75,  
3-15, 3-31, 3-39, 3-57  
Washer, Flt, .75 Sae, 2-83  
Washer, Flt, #06, 3-101, 3-103  
Washer, Flt, #08 Ss, 2-7, 2-9, 3-93  
Washer, Flt, #08, 2-91  
Washer, Flt, #10 Ss, 2-23, 2-41, 2-43,  
2-45, 2-49, 2-101, 2-103, 3-79  
Washer, Flt, #10, 2-17, 2-83, 2-103, 2-105,  
2-107, 2-109, 3-5, 3-9  
Washer, Lock, Int, .25, 2-103, 2-105, 2-107  
Washer, Lock, Int, .31, 2-35, 2-103, 2-105,  
2-107, 2-109  
Washer, Lock, Int, .38, 2-107, 2-109  
Washer, Lock, Int, #06, Ss, 2-111  
Washer, Lock, Int, #08, Ss, 2-105  
Washer, Lock, Int, #08, 2-91

Washer, Lock, Int, #10, Ss, 2-105, 2-107,  
2-109  
Washer, Lock, Int, #10, 2-11, 2-23, 2-103,  
2-105, 3-9  
Washer, Neo., 4-5  
Washer, Polye, 3-87, 3-89  
Washer, Rbr, .12 0.66B 1.00D, 3-75  
Washer, Rbr, .68idx1.00d, 3-77  
Washer, Thrust, 0.61b 1.25d .06, Fgl,  
2-61, 2-63, 2-67, 3-33, 3-37, 3-49,  
3-51, 3-67, 3-69  
Washer-Flt 8.4x17 X2 M8, 2-85  
Washer, 2-21, 2-65, 4-3, 4-15  
Wavy Washer, 4-6  
Wheel, 3.0D 0.88W 0.50B, 2-85  
Wheel, 3.0d 1.38w 0.50b, 2-3, 2-4, 2-65  
Wheel, 3.0D 1.38W 0.50B, 2-4  
Wheel, 4.0d 0.89w 0.64b, 3-105  
Wheel, 4.0d 0.98w 0.78b, 2-83  
Wheel, Steering, 14.0D, Taper Bore, 2-19  
Wheel, 3-97  
Wire Assy, 02ga 27.0l Blk .34h /.34h,  
2-107, 2-109  
Wire Assy, 02ga, 10.0l, Blk, 2-109  
Wire Assy, Brush, 4-11  
Wire Assy, Jumper Reverse, [515], 3-41,  
3-59  
Wire, 04ga 09.0l Blk .34ring /.28ring,  
2-107  
Wire, 04ga 32.0l Blk .31ring /.31ring,  
2-107  
Wire, 06ga 11.0l Blk .34ring /.28ring,  
2-107  
Wire, 06Ga 09.0L Blk .34 Ring/.34 Ring,  
2-109



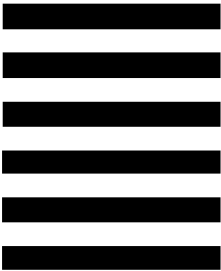




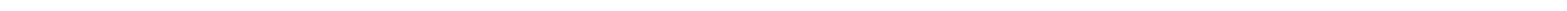
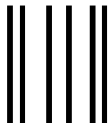
**TENNANT COMPANY**  
 Technical Publications #15  
 701 North Lilac Drive  
 P.O. Box 1452  
 Minneapolis, MN 55440-9947

POSTAGE WILL BE PAID BY ADDRESSEE

**BUSINESS REPLY MAIL**  
 FIRST CLASS MAIL PERMIT NO. 94 MINNEAPOLIS, MN

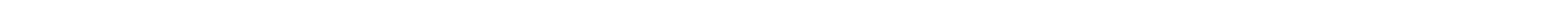


NO POSTAGE  
 NECESSARY  
 IF MAILED  
 IN THE  
 UNITED STATES



Fold along dotted lines

Tape here



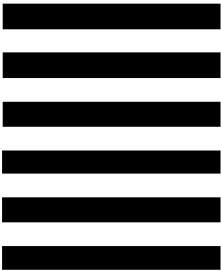




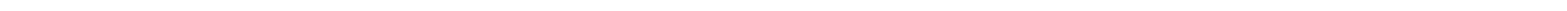
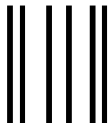
**TENNANT COMPANY**  
 Technical Publications #15  
 701 North Lilac Drive  
 P.O. Box 1452  
 Minneapolis, MN 55440-9947

POSTAGE WILL BE PAID BY ADDRESSEE

**BUSINESS REPLY MAIL**  
 FIRST CLASS MAIL PERMIT NO. 94 MINNEAPOLIS, MN



NO POSTAGE  
 NECESSARY  
 IF MAILED  
 IN THE  
 UNITED STATES



Fold along dotted lines

Tape here

